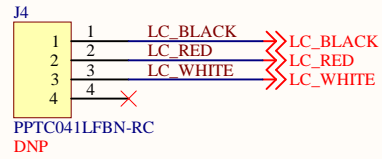
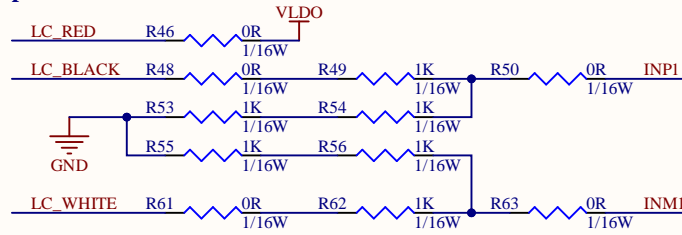


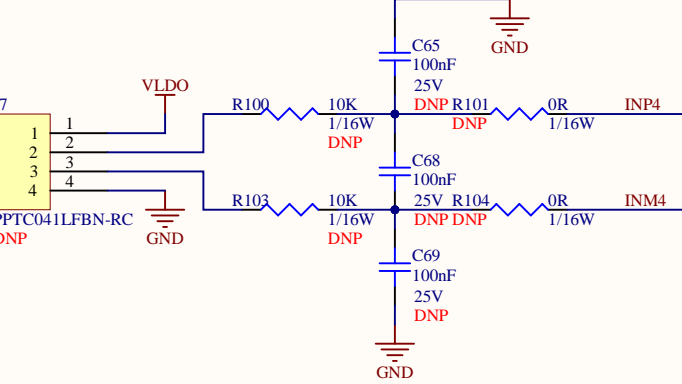
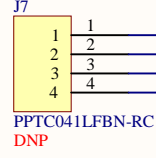
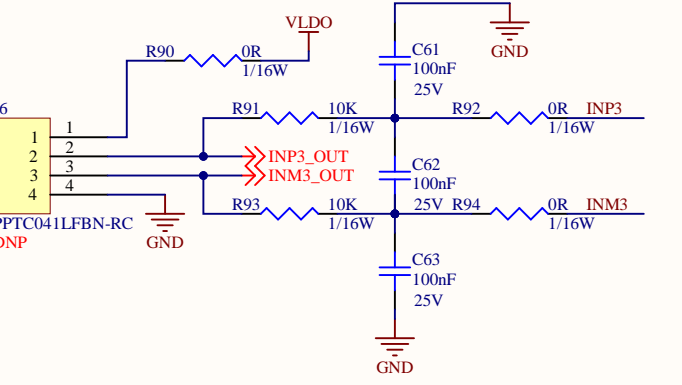
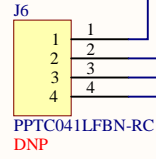
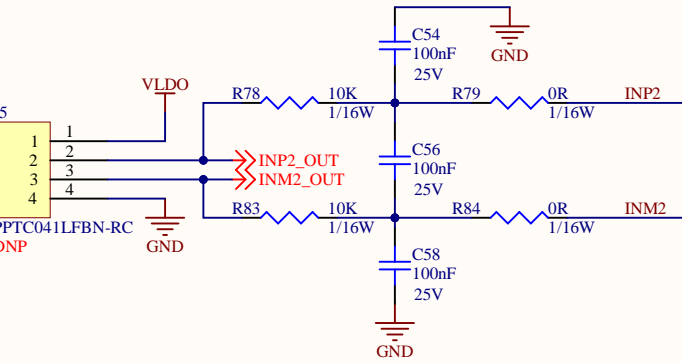
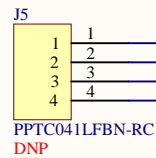
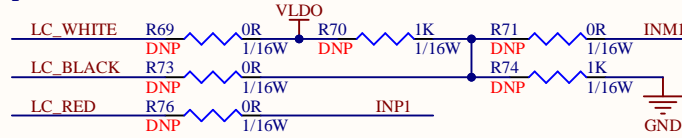
WEIGHT SCALE



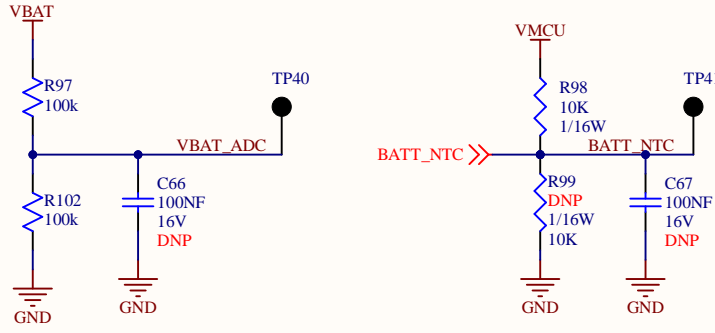
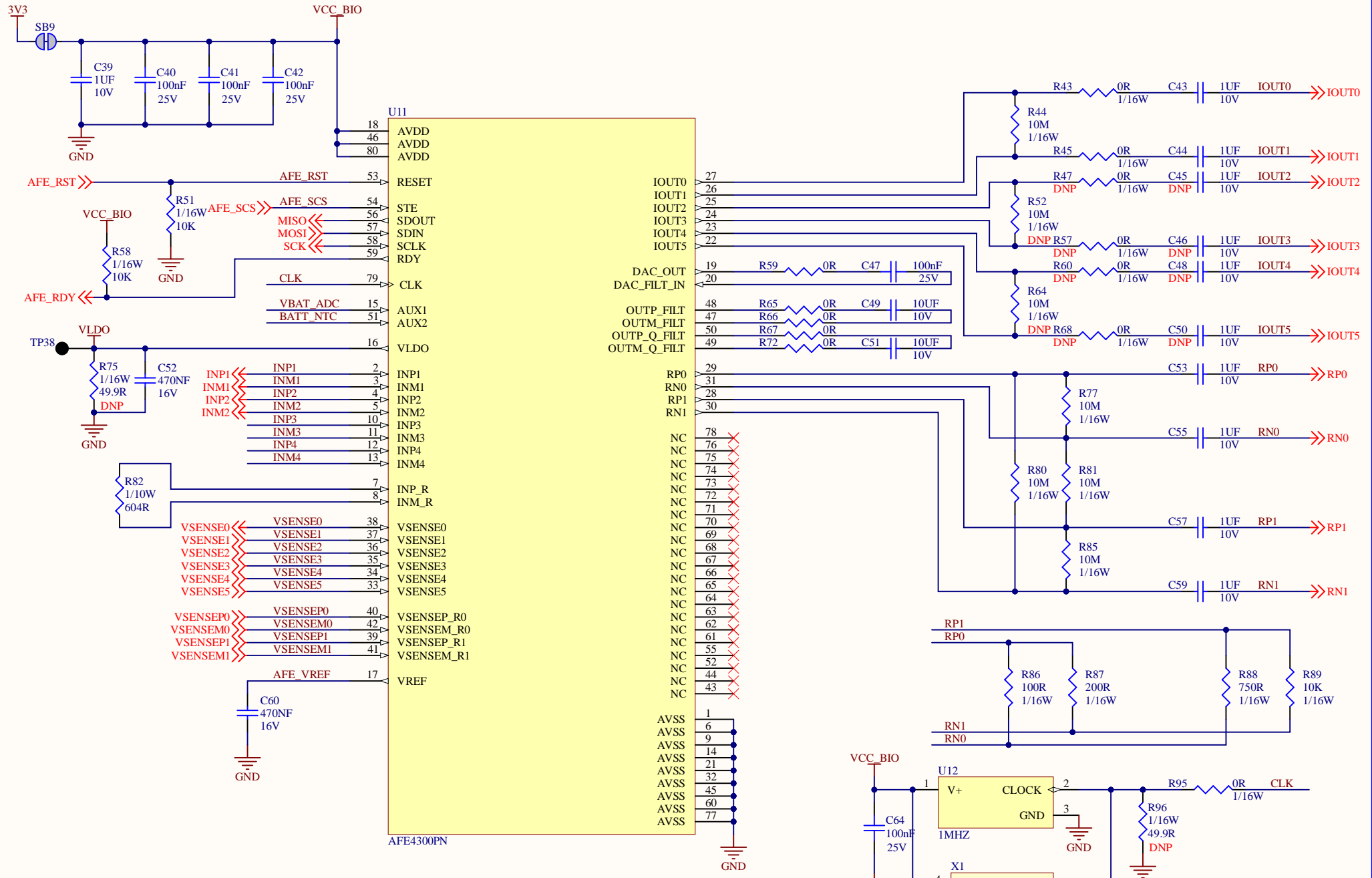
Option 2



Option 3



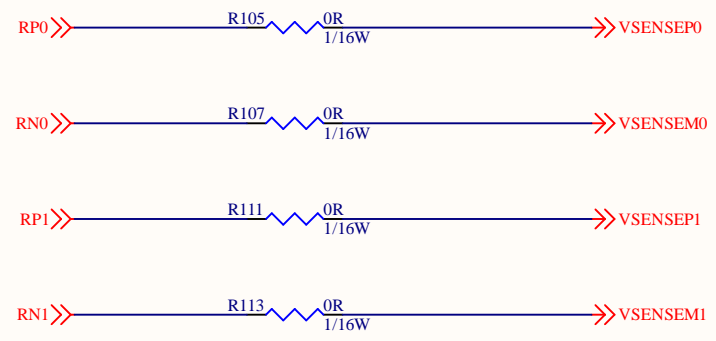
BIOSENSING AFE



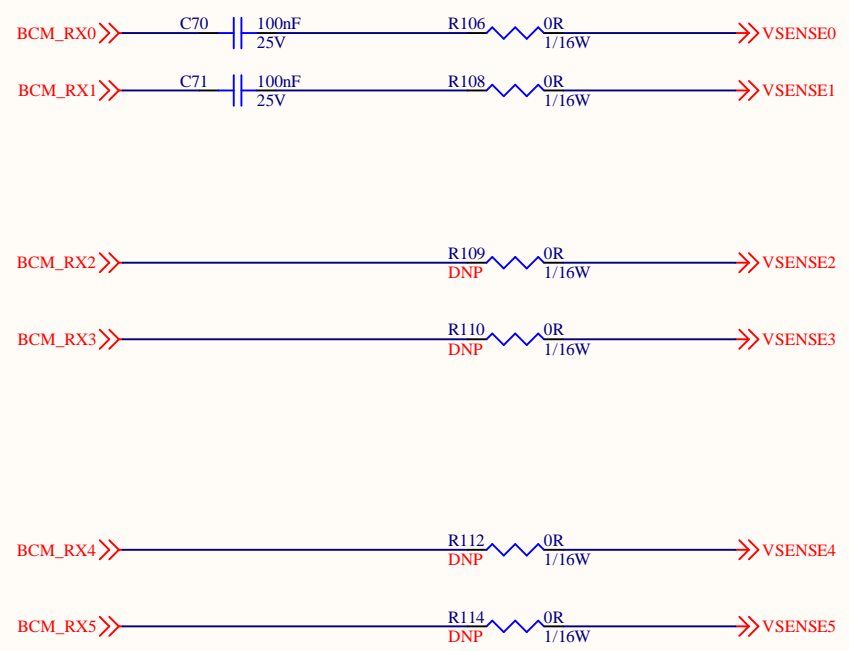
@45C BATT_NTC = 1.08V
 @25C BATT_NTC = 1.65V

- TP60 INP1
- TP61 INM1
- TP64 INP2
- TP67 INM2
- TP70 INP3
- TP73 INM3
- TP74 INP4
- TP75 INM4
- TP42 AFE_RST
- TP43 AFE_RDY
- TP44 AFE_SCS
- TP47 SCK
- TP50 MISO
- TP53 MOSI
- TP46 IOUT0
- TP49 IOUT1
- TP52 IOUT2
- TP55 IOUT3
- TP57 IOUT4
- TP59 IOUT5

RECEIVE CALIBRATOR



RECEIVE BCM NETWORK



Load Cell Connector

