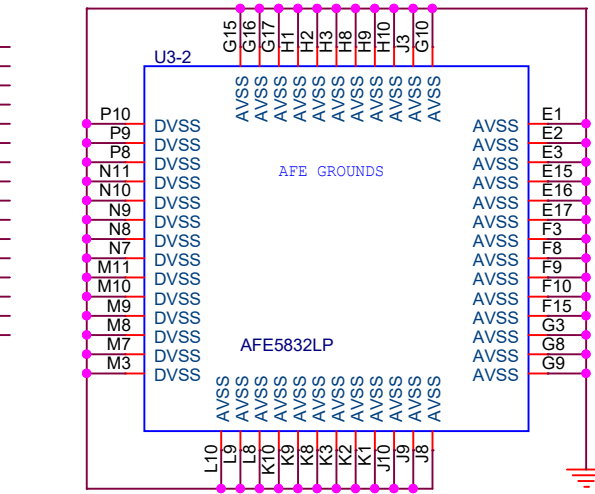
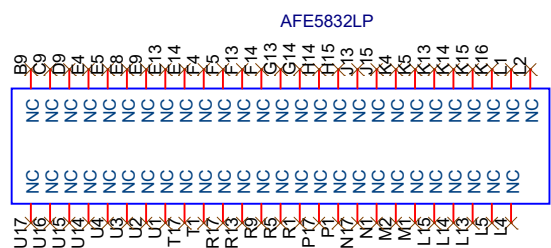
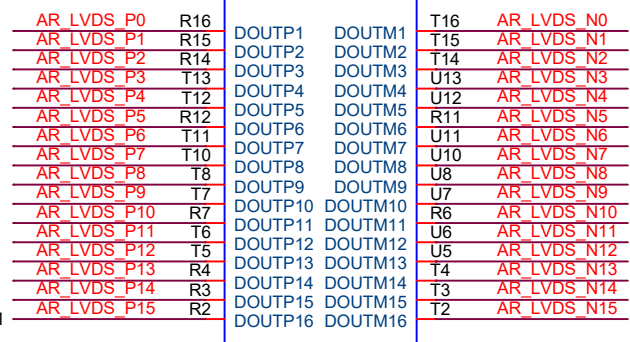
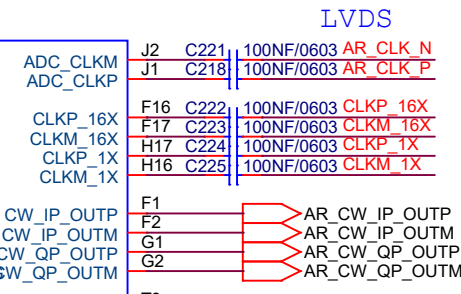
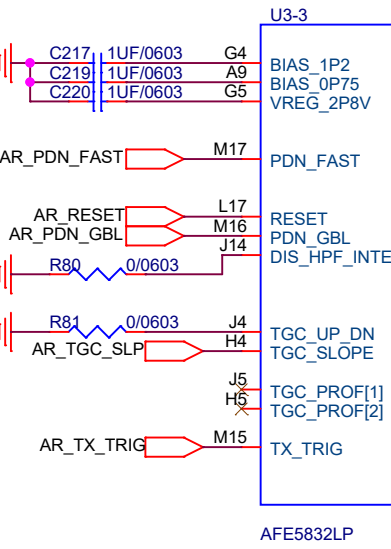
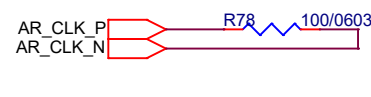
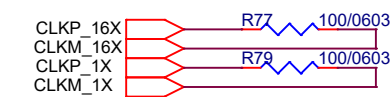
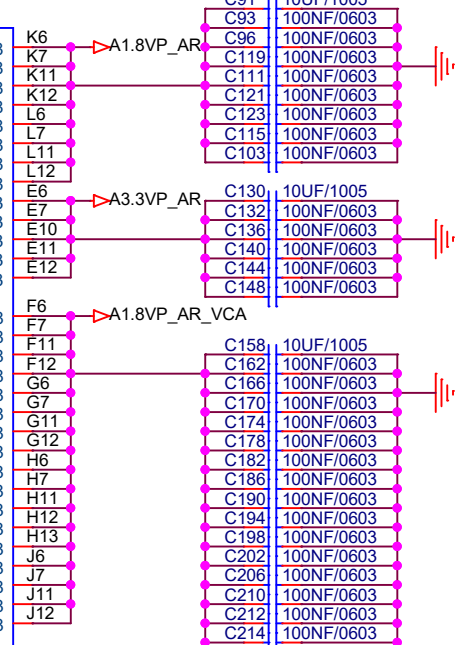
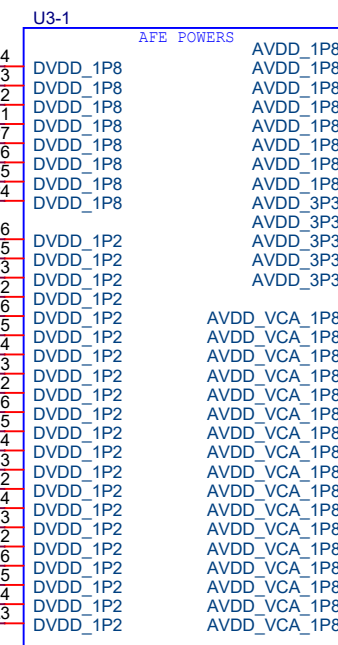
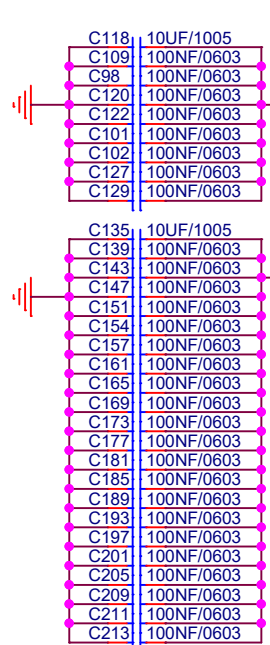
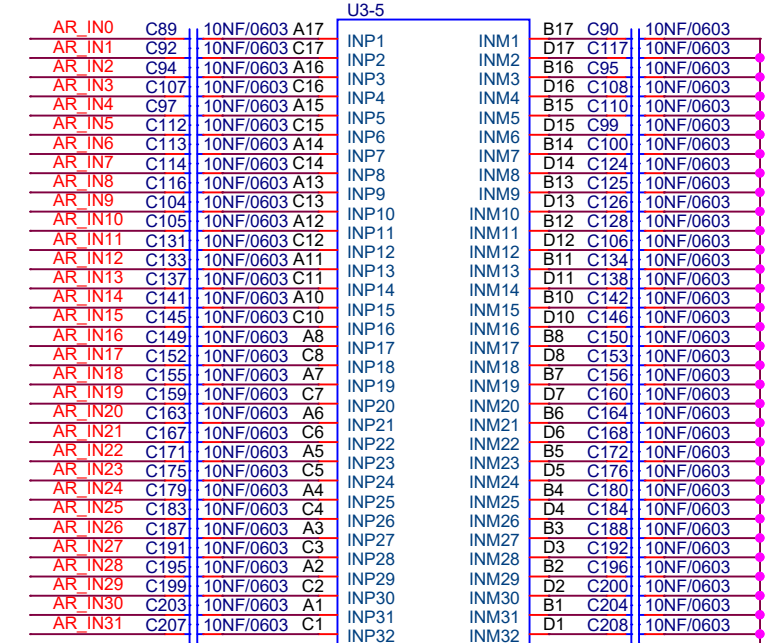


AR_IN[0:31]

AR_LVDS_P[0:15]
AR_LVDS_N[0:15]



Title			031 AR_AFE5832LP			
Size	A4	Document Number	<Doc>		Rev	P0
Date:	Monday, March 13, 2023		Sheet	8	of	33