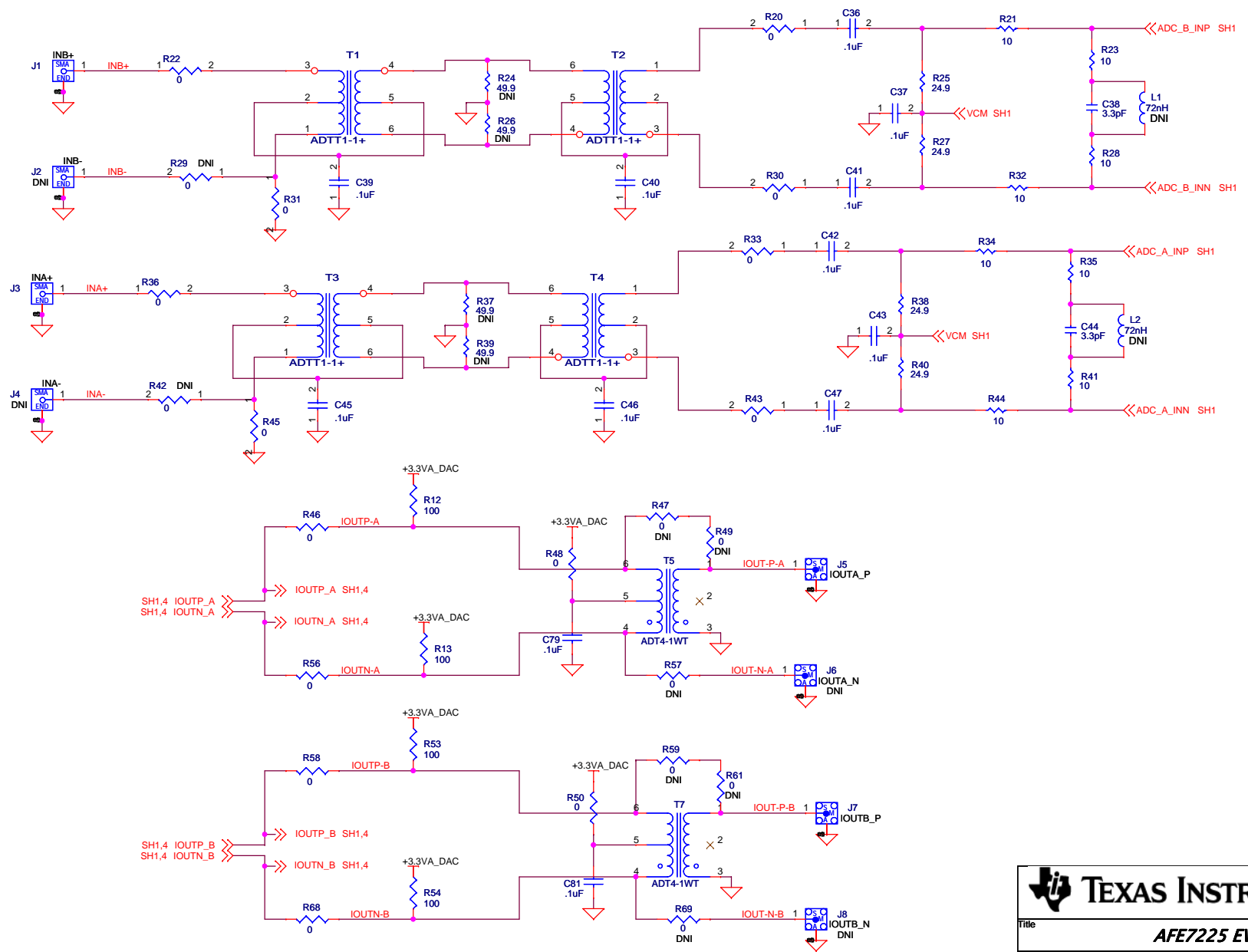


NOTES:
1) DNI = DO NOT INSTALL



Title		AFE7225 EVM	
Size	Document Number	Rev	
B	AFE	B	
Engineer:	Date:	Sheet	of
T. Neu	Monday, February 14, 2011	1	7

Drawn: **L. Nguyen**
Engineer: **T. Neu**

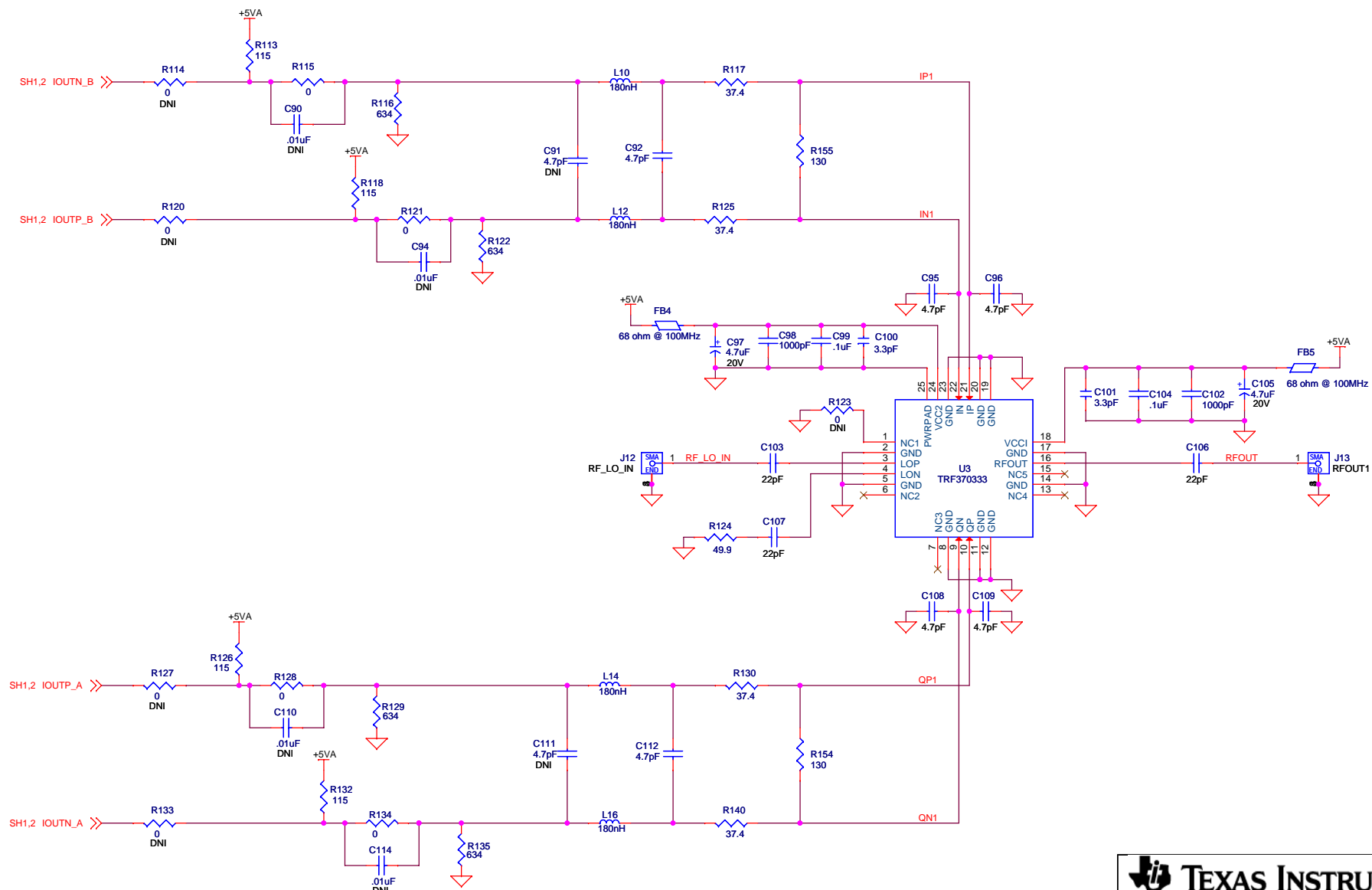


TEXAS INSTRUMENTS

Title: **AFE7225 EVM**

Size: **B** Document Number: **AFE** Rev: **B**

Date: Monday, February 14, 2011 Sheet 2 of 7



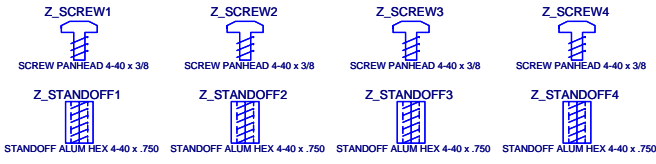
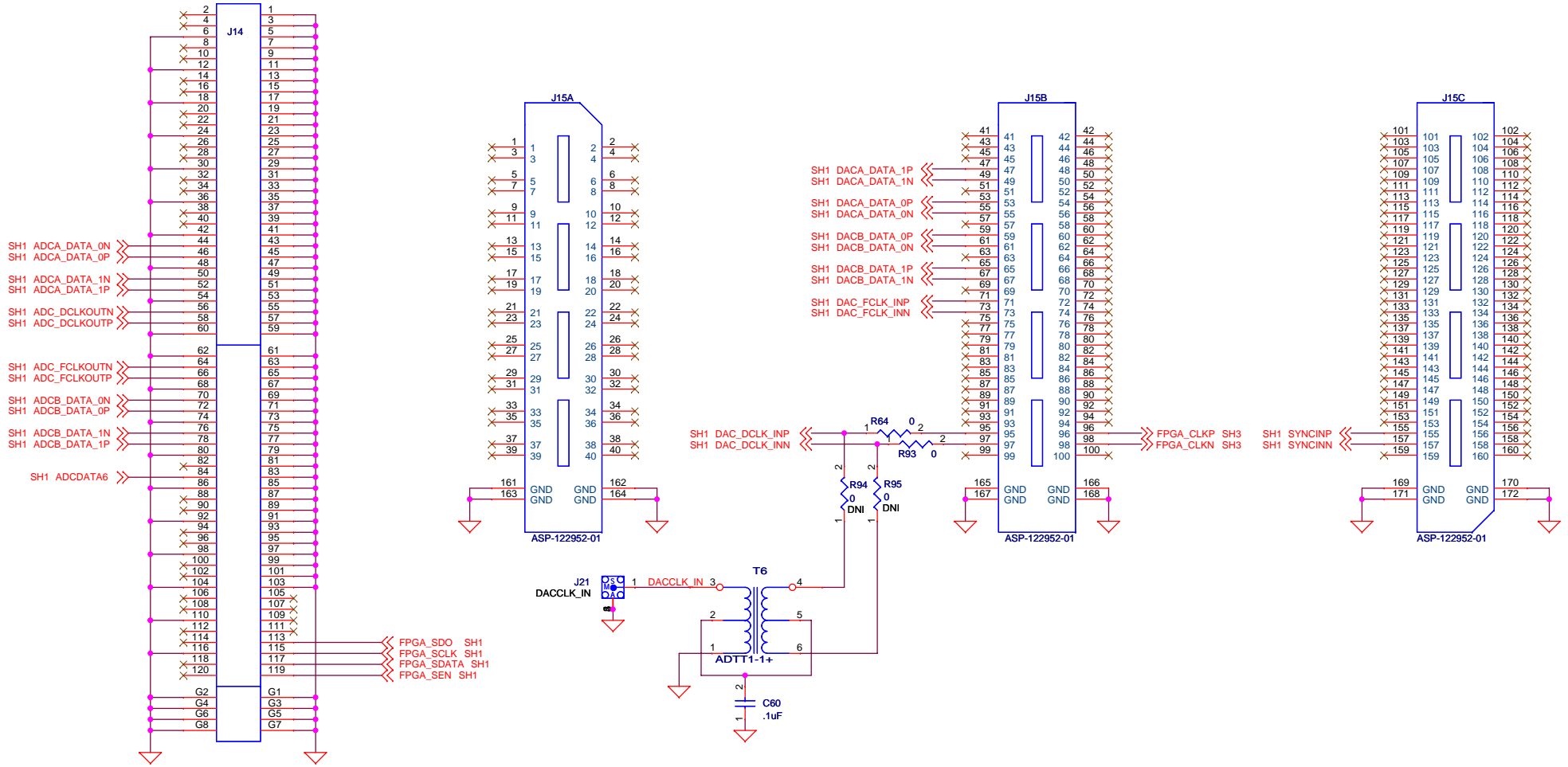
TEXAS INSTRUMENTS

Title: **AFE7225 EVM**

Size **B** Document Number **MODULATOR** Rev **B**

Date: Monday, February 14, 2011 Sheet 4 of 7

CONN_QTH_30X2-D-A

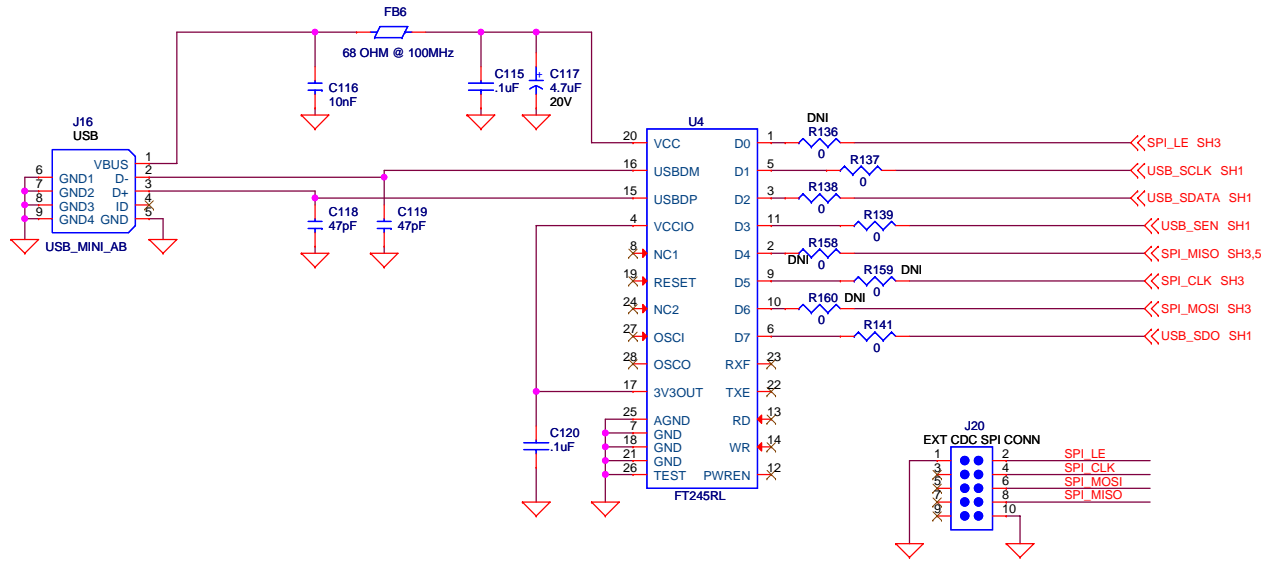


TEXAS INSTRUMENTS

Title: **AFE7225 EVM**

Size: **B** Document Number: **INTERFACE** Rev: **B**

Date: Monday, February 21, 2011 Sheet 5 of 7

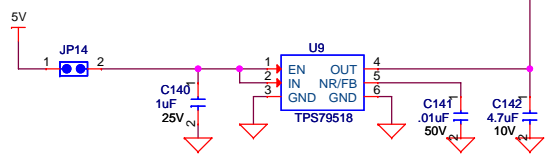
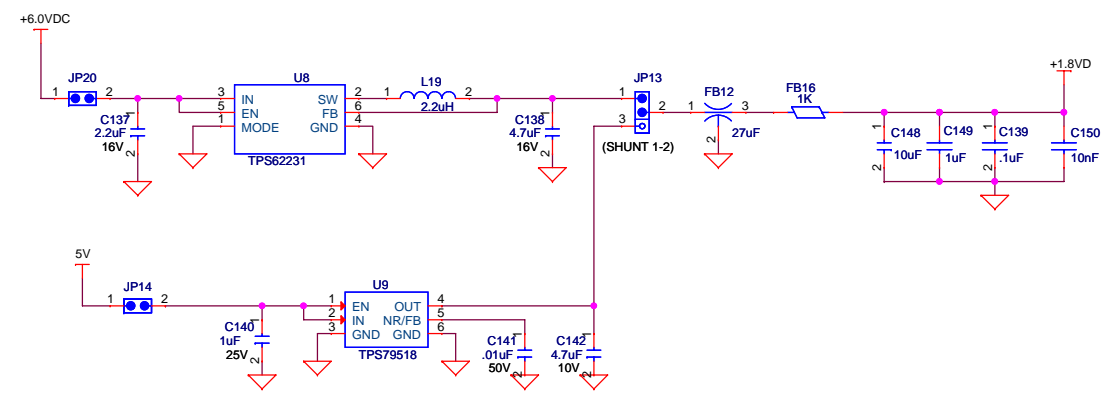
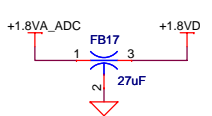
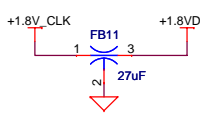
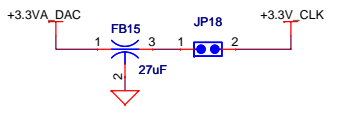
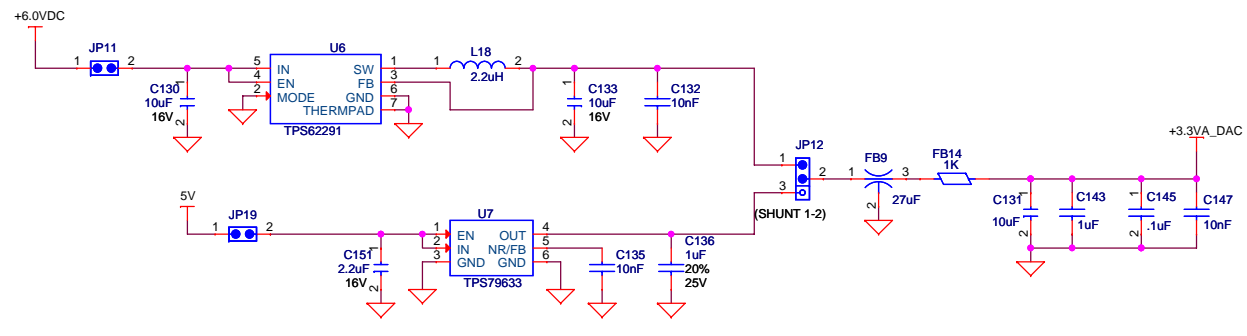
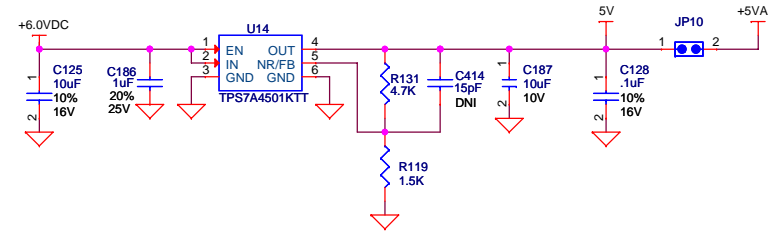
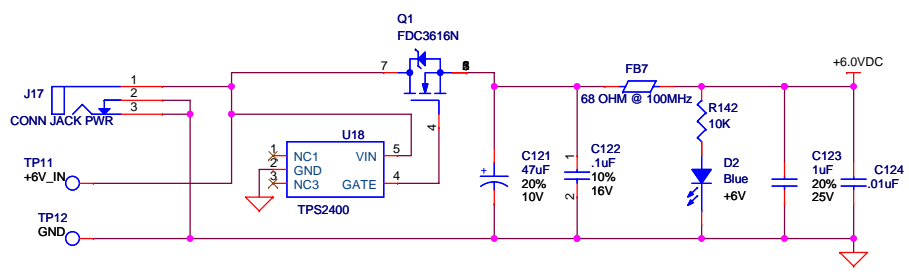


TEXAS INSTRUMENTS

Title: **AFE7225 EVM**

Size **B** Document Number **USB** Rev **B**

Date: Monday, February 14, 2011 Sheet 6 of 7



TEXAS INSTRUMENTS

Title		
AFE7225 EVM		
Size	Document Number	Rev
B	POWER DISTRIBUTION	B
Date:	Monday, February 14, 2011	Sheet 7 of 7