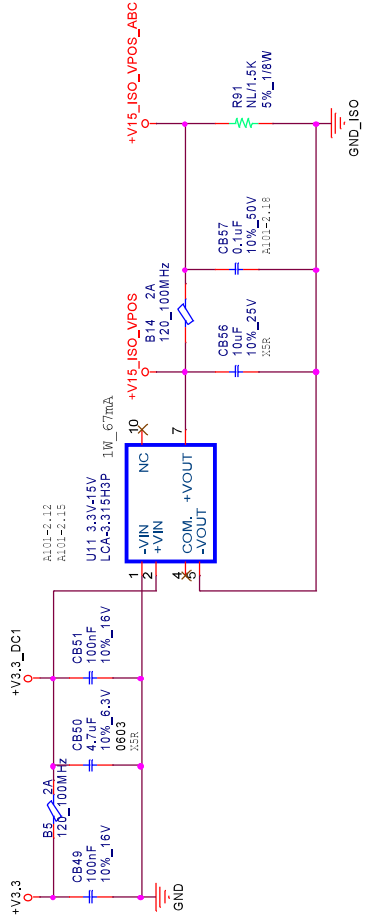
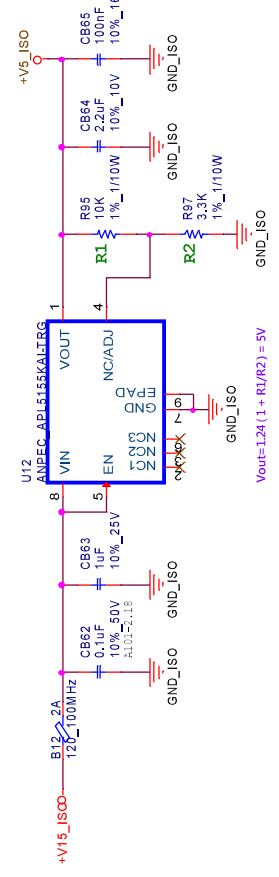


DC/DC 3.3V to +12V (Max 84mA)

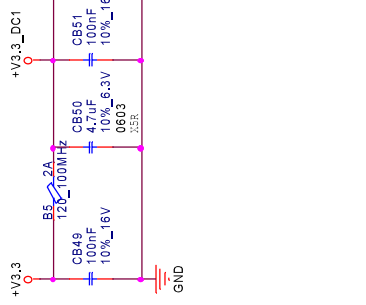


I2O 12V to 5V (Max150mA)

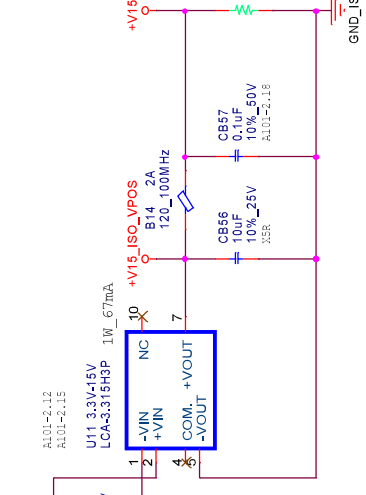
(for isolation Digital Power)



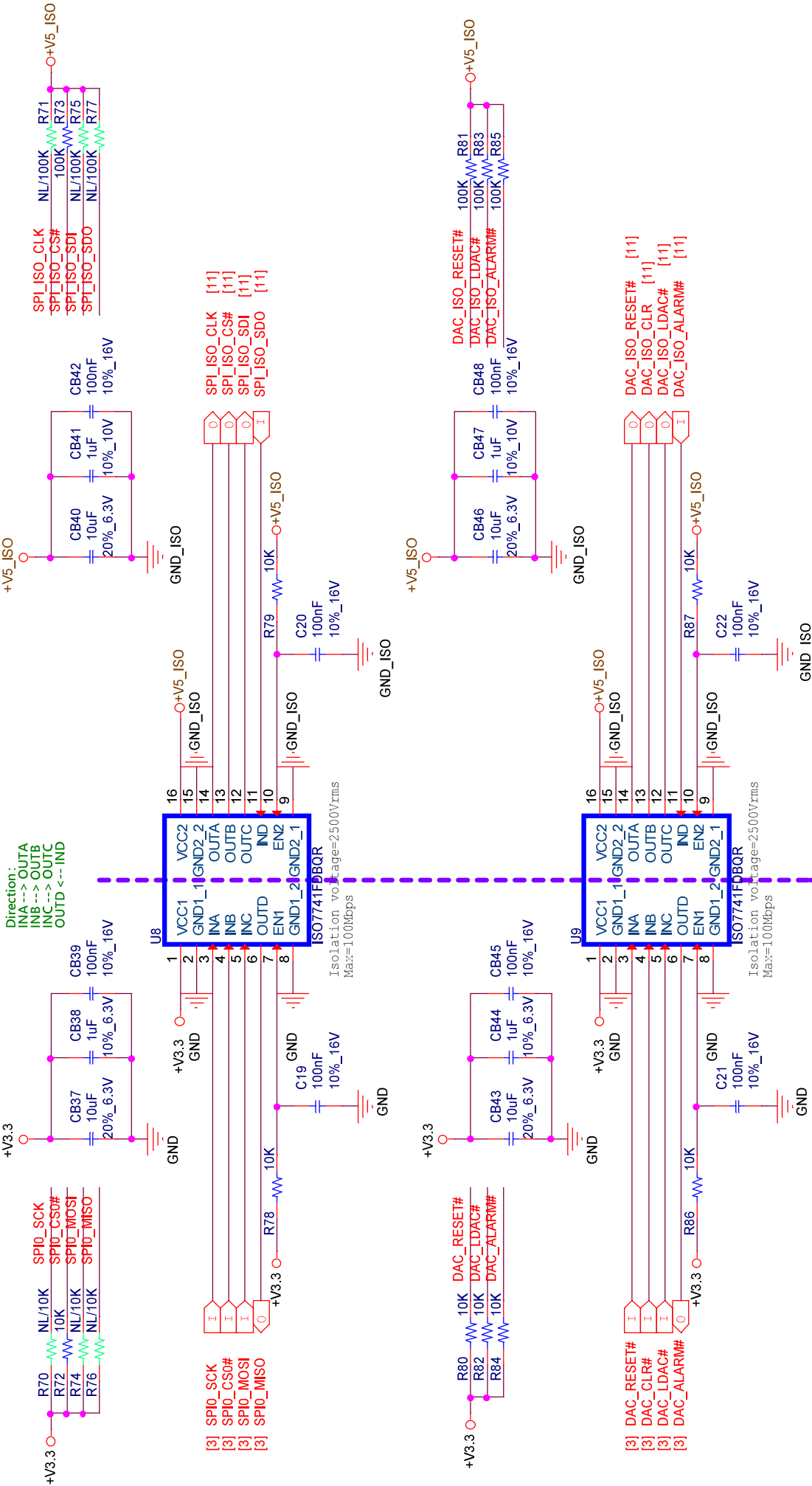
DC/DC 3.3V to +12V (Max 84mA)



DC/DC 3.3V to +12V (Max 84mA)



Title		Isolation Power	
Size	Document Number	WISE-5024	
B	Rev	A101-2	
Date:	Monday, August 05, 2019	Sheet	9 of 13



Digital Isolator

Title		Document Number		Rev	
Size		A		A101-2	
Date:		Monday, August 05, 2019		Sheet 10 of 13	

