

**USB**  
SHEET 2

**VOLTAGE  
TRANSLATOR**  
SHEET 3

**ADC/DAC  
FMC CONN**  
SHEET 4

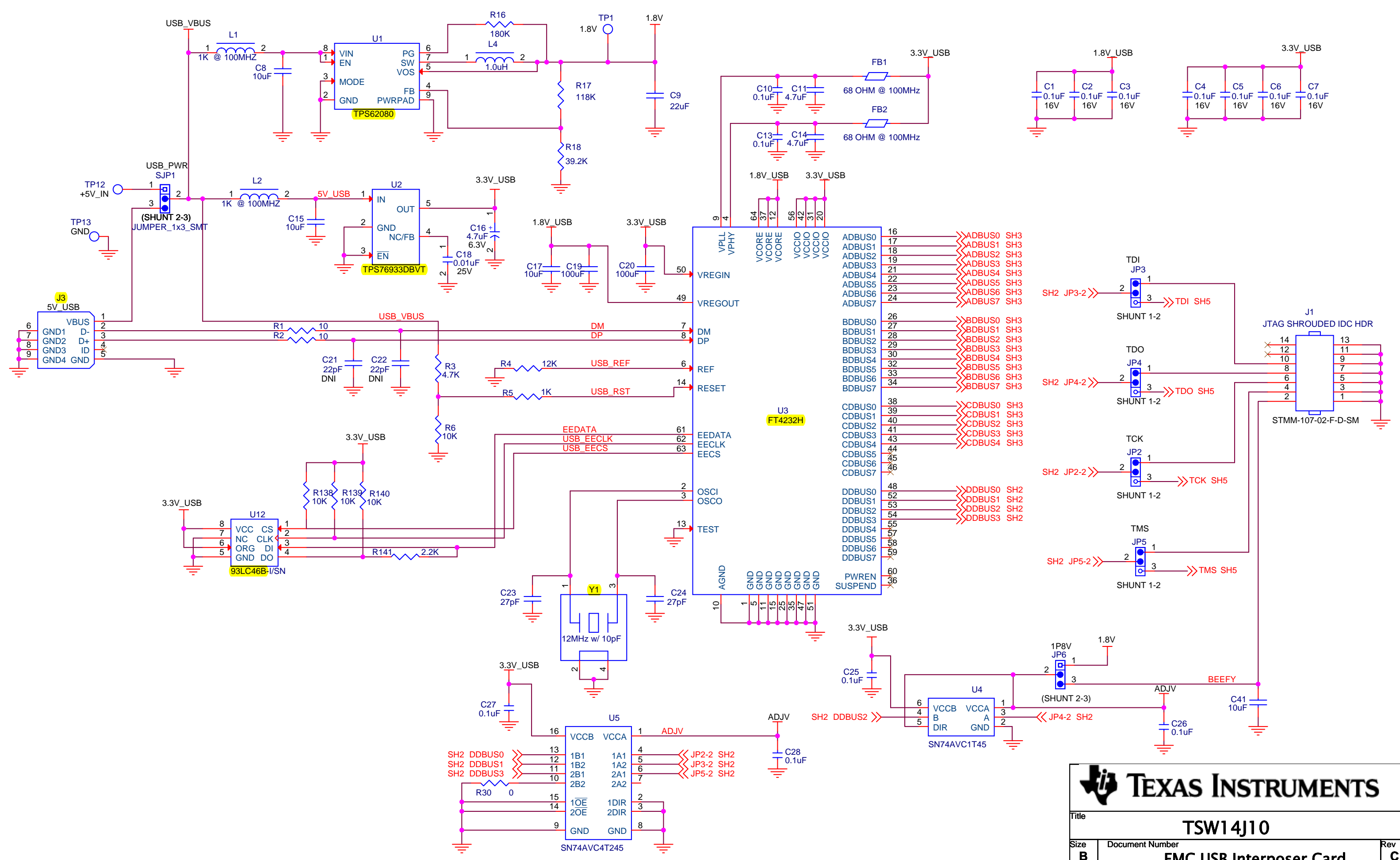
**FPGA BOARD FMC CONN**  
SHEETS 5

NOTE: DNI = DO NOT INSTALL COMPONENT.



Title		<b>TSW14J10</b>	
Size	Document Number	Rev	
<b>B</b>		<b>C</b>	
Date:	Monday, August 11, 2014	Sheet	1 of 5

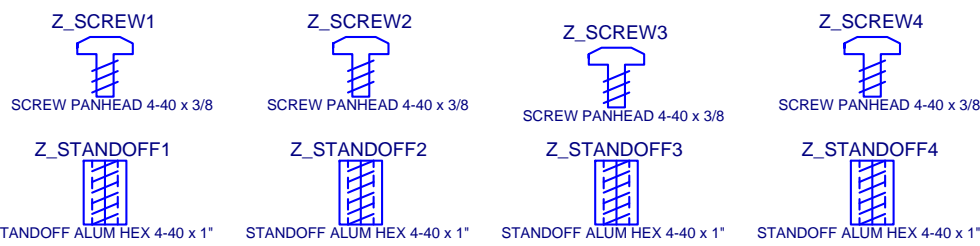
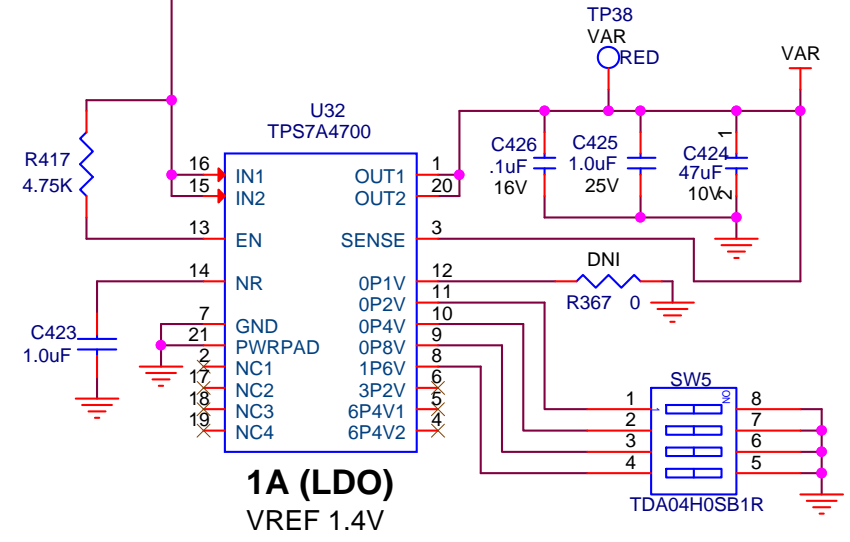
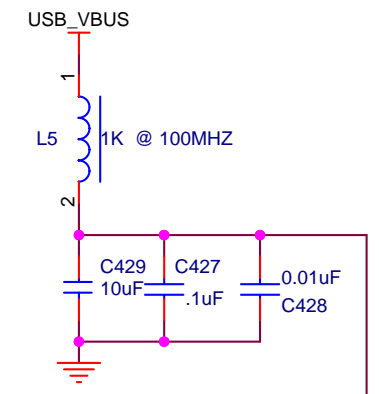
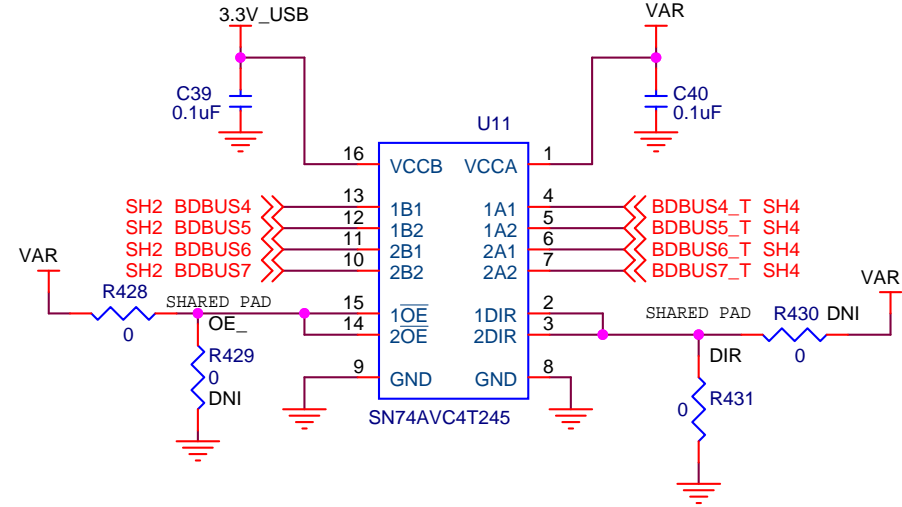
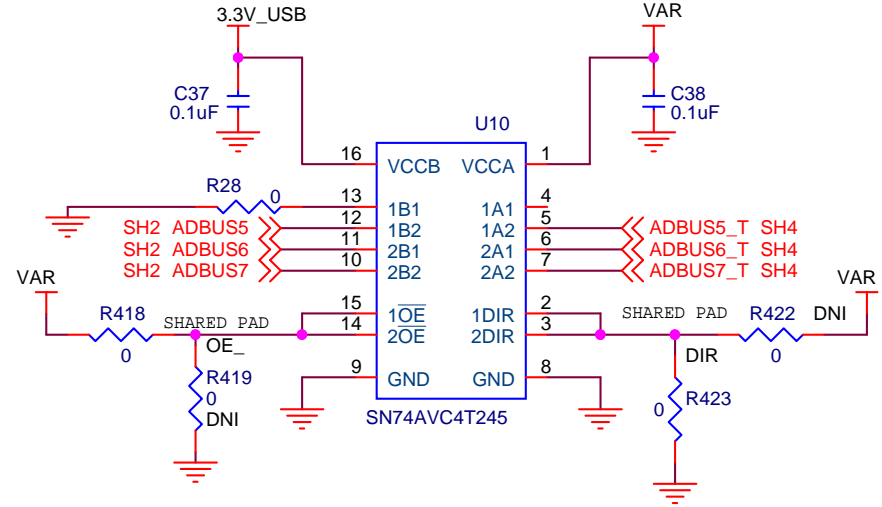
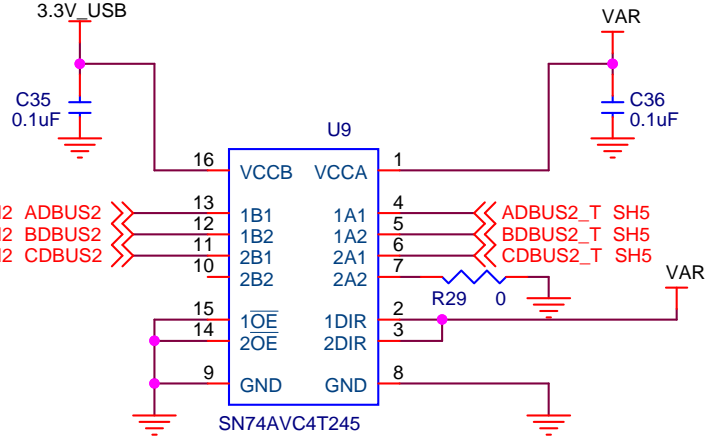
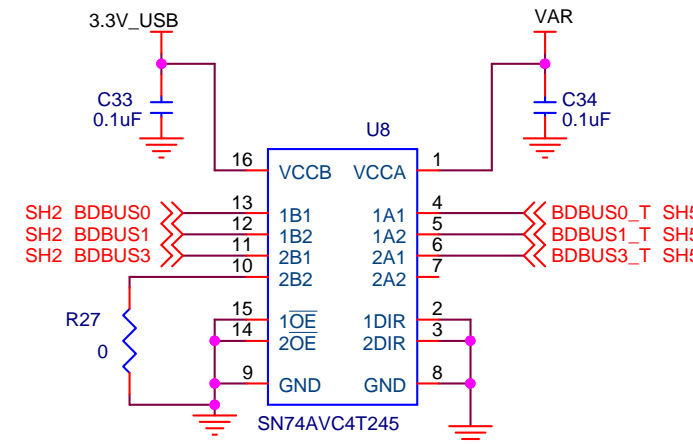
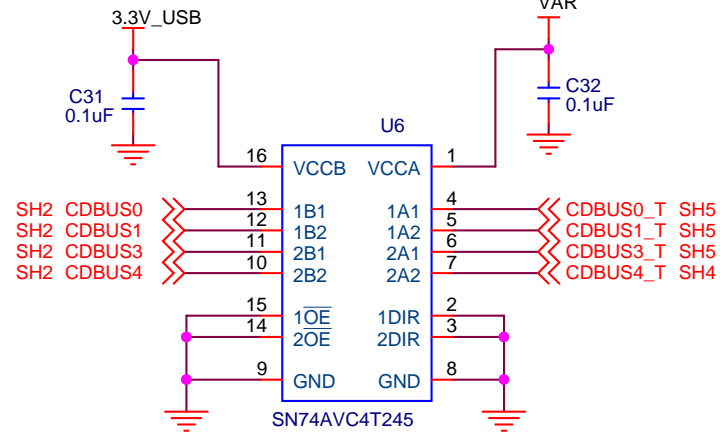
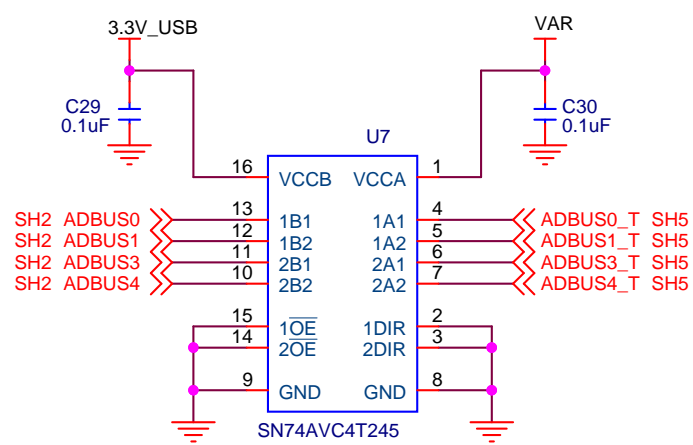
Drawn: **KIM LE**  
Engineer: **J. SETON**



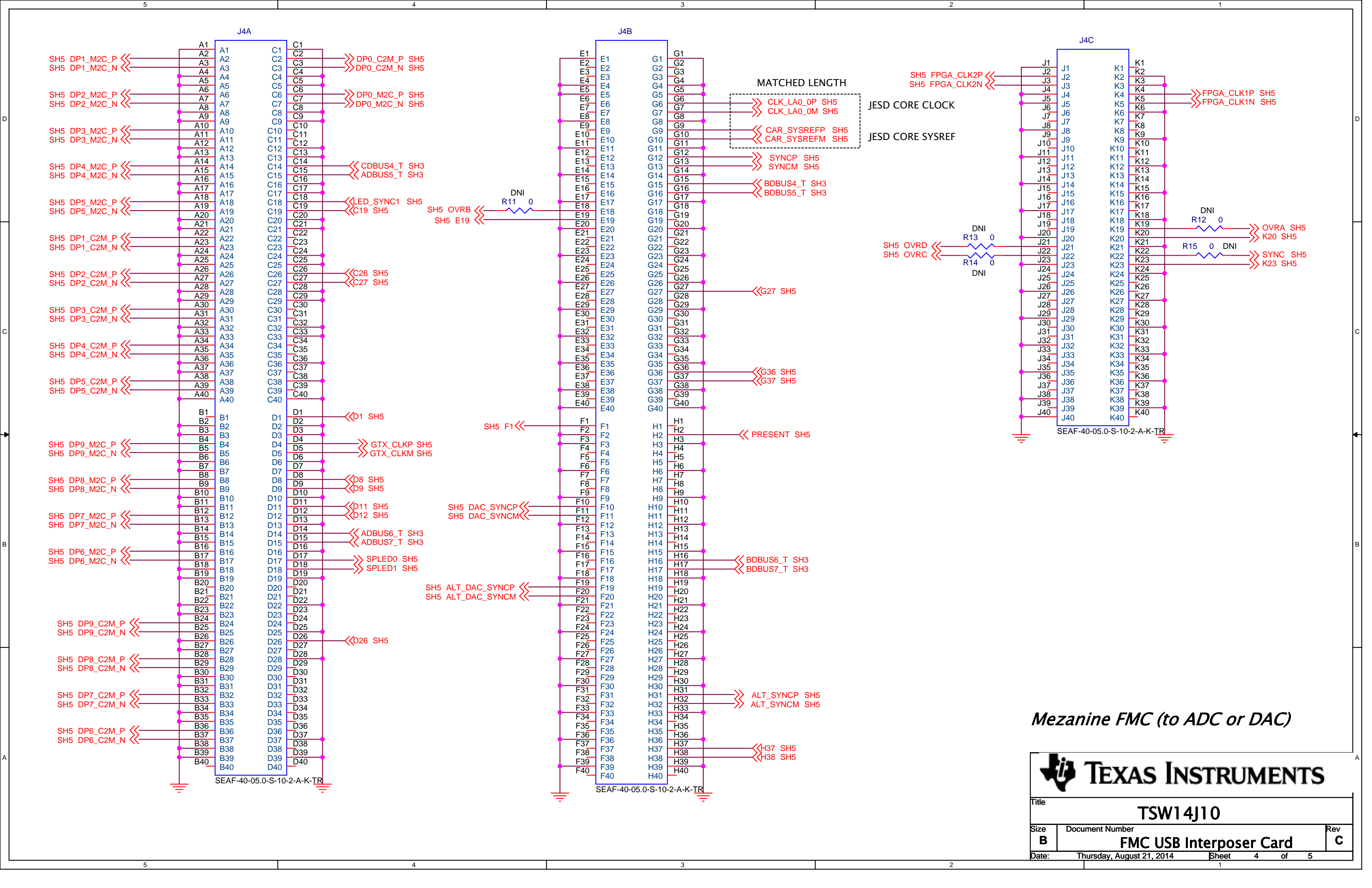
**TEXAS INSTRUMENTS**

Title: **TSW14J10**

Size: <b>B</b>	Document Number: <b>FMC USB Interposer Card</b>	Rev: <b>C</b>
Date: Thursday, August 21, 2014	Sheet: 2 of 5	



BARE BOARD, TSW14J10 REV C

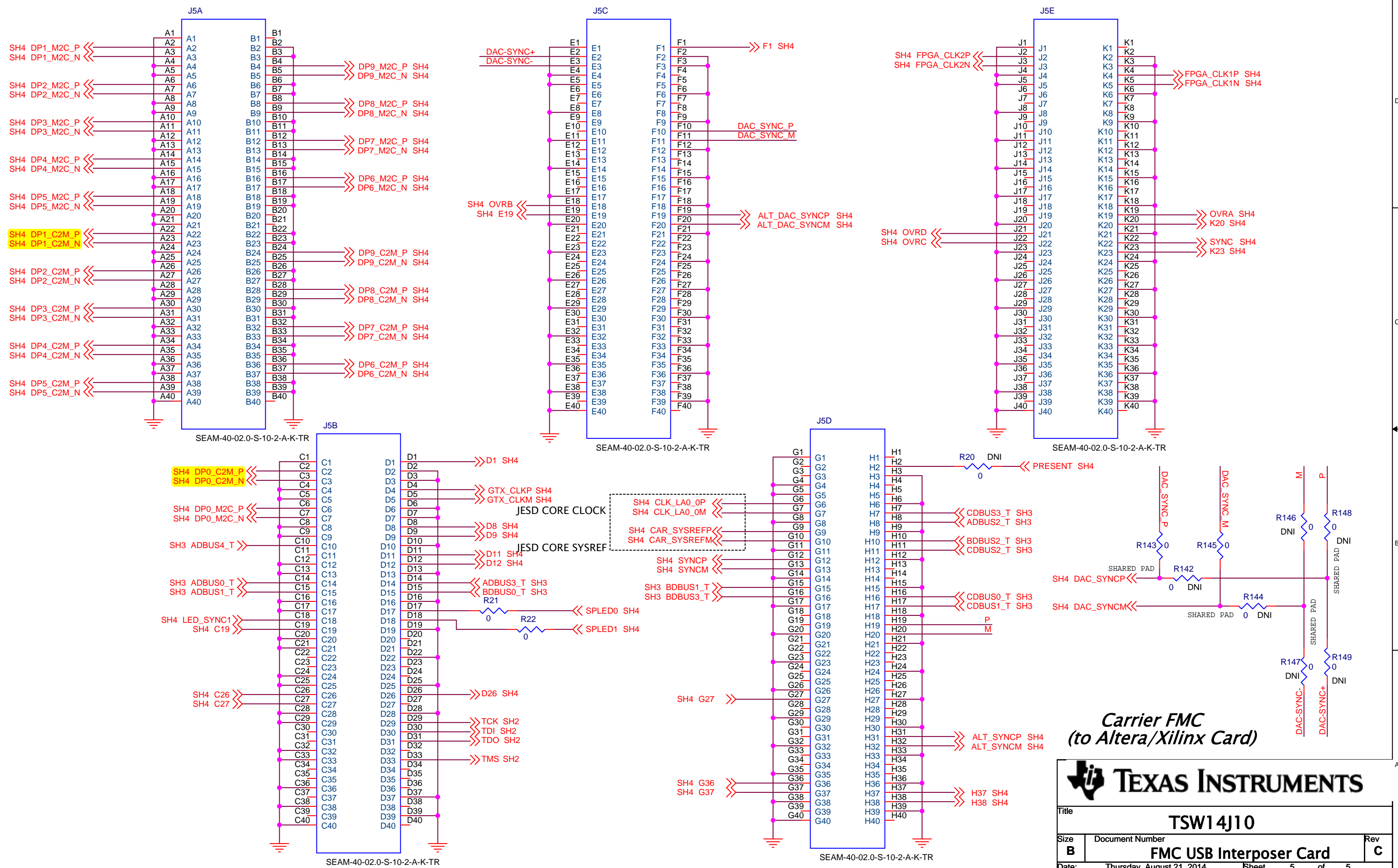


**Mezzanine FMC (to ADC or DAC)**

**TEXAS INSTRUMENTS**

Title: **TSW14J10**

Size: <b>B</b>	Document Number: <b>FMC USB Interposer Card</b>	Rev: <b>C</b>
Date: Thursday, August 21, 2014	Sheet: 4 of 5	



**Carrier FMC  
(to Altera/Xilinx Card)**

**TEXAS INSTRUMENTS**

Title <b>TSW14J10</b>		
Size <b>B</b>	Document Number <b>FMC USB Interposer Card</b>	Rev <b>C</b>
Date:	Thursday, August 21, 2014	Sheet 5 of 5