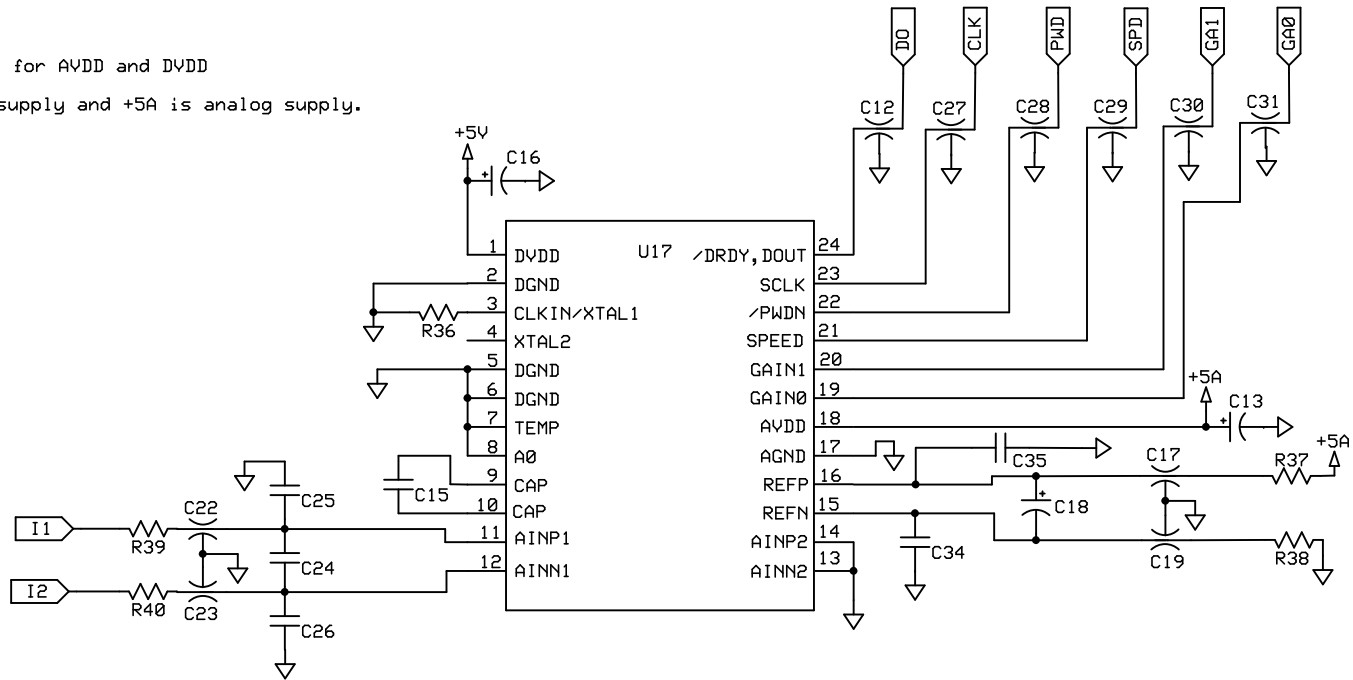


Note: 1) Saperate supply for AVDD and DVDD  
 2) +5V is digital supply and +5A is analog supply.



ADC CARD		