

# Analog Inputs

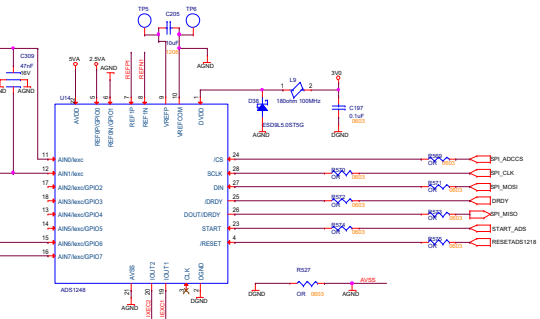
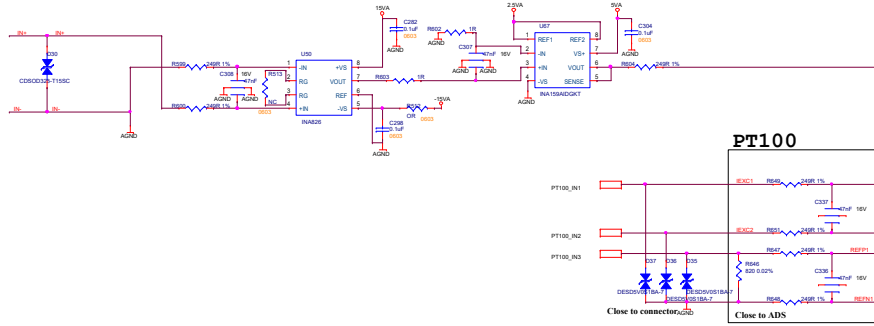
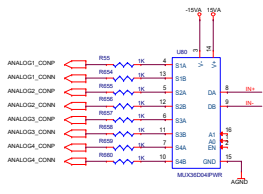
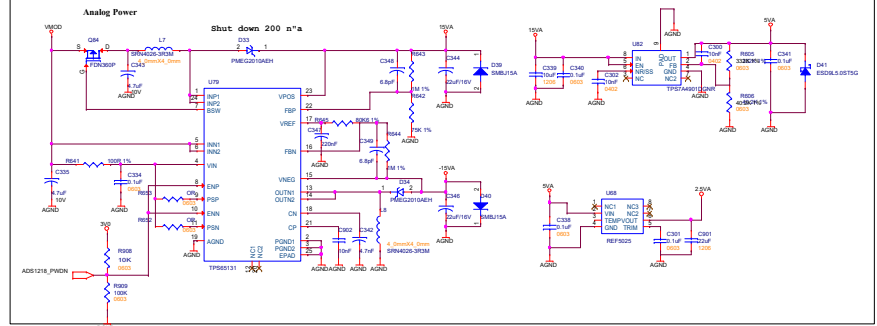


Table 2: Register Settings for Industrial Voltage and Current Inputs

Register (Address)	Register Values	Comment
MLX1 (02h)	0x00	Positive input channel AN1, negative input channel AN1
MLX1 (02h)	0x00	REF1 input pair selected as VREF
SYSD03(3h)	0x03	Data rate=40SPS, PGA gain=1 (I <sub>in</sub> = ±25 mA, V <sub>in</sub> 0-10 V, <±10 V)
SYSD03(3h)	0x13	Data rate=40SPS, PGA gain=2 (I <sub>in</sub> 0-20 mA, <±10 mA, V <sub>in</sub> 0-5 V, <±5 V)

Table 5: Register Settings for RTD Input

Register (Address)	Register Values	Comment
MLX0 (02h)	0x25	Positive input channel AN1, negative input channel AN5
MLX1 (02h)	0x28	REF1 input pair selected as VREF
SYSD03(3h)	0x22	PGA gain=4, data rate=20SPS
SYSD03(3h)	0x04	DR=1000004
SYSD03(3h)	0x09	Current source connect to EXT1 and EXT2



Close to connector

Close to ADS