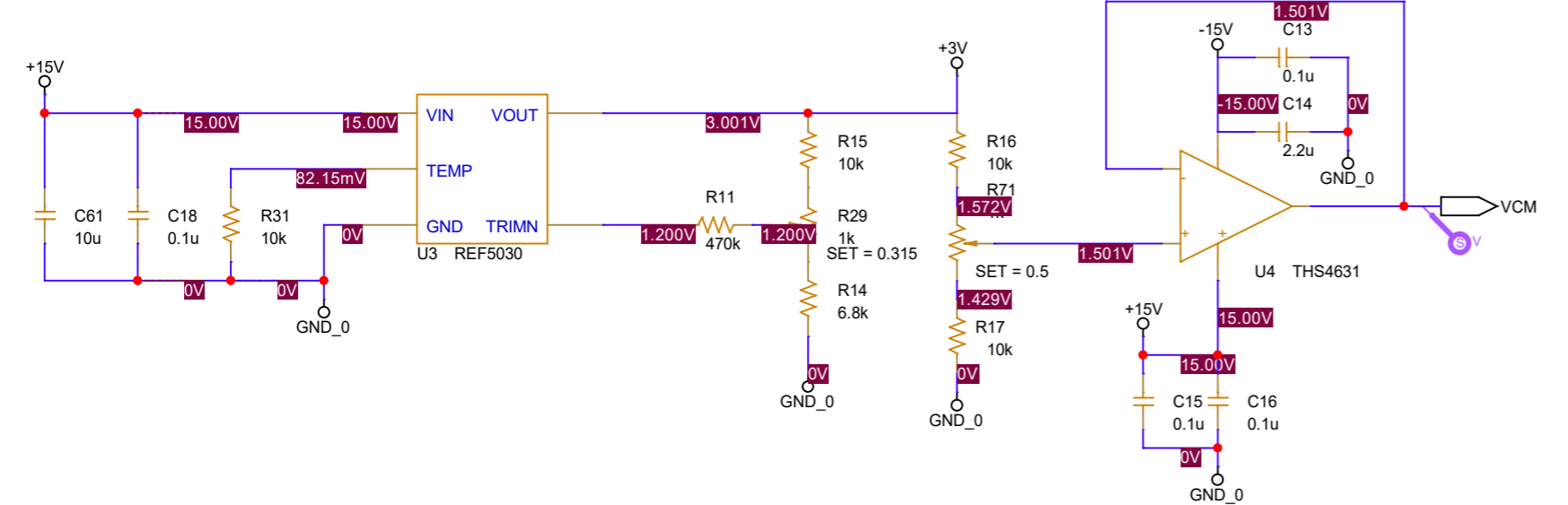
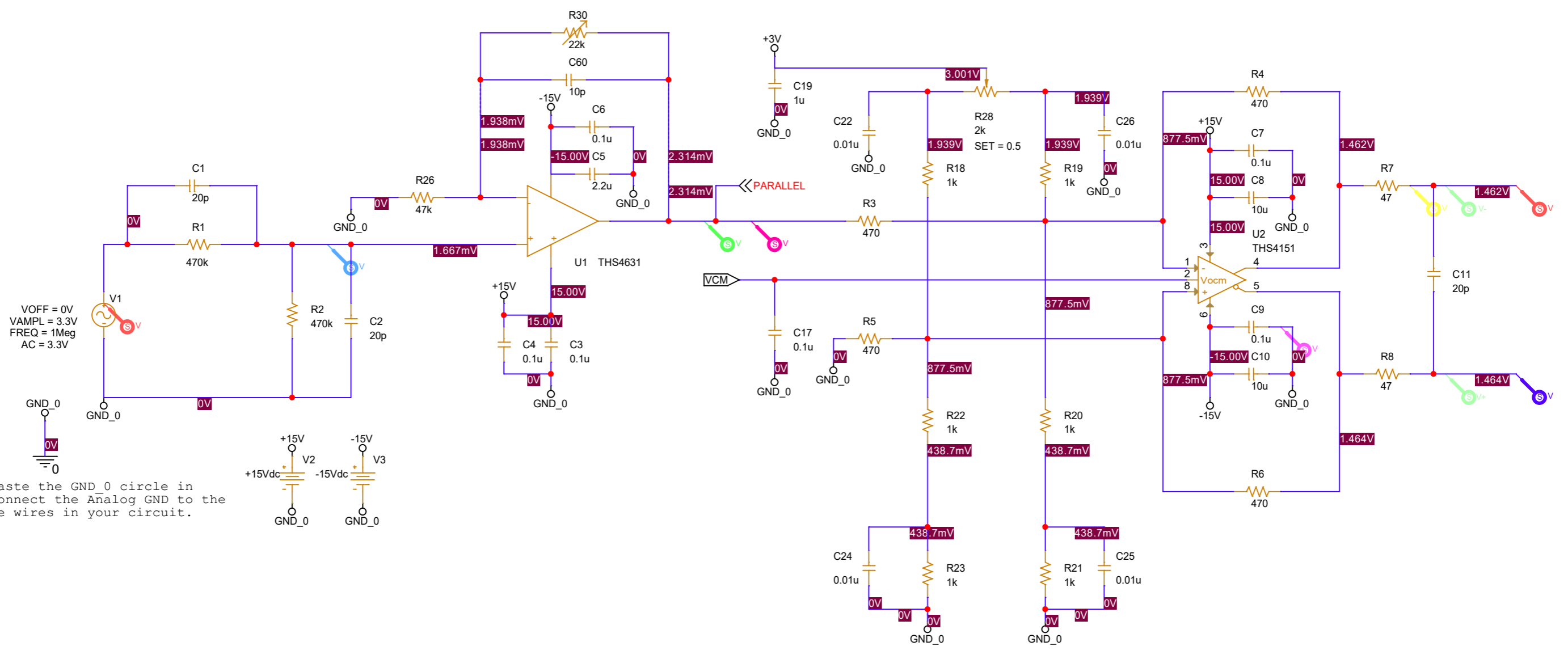


VOFF = 0V
 VAMPL = 3.3V
 FREQ = 1Meg
 AC = 3.3V

Copy and paste the GND_0 circle in order to connect the Analog GND to the appropriate wires in your circuit.



Title		
<Title>		
Size	Document Number	Rev
B	<Doc>	<RevCode>
Date:	Friday, May 19, 2023	Sheet 1 of 1