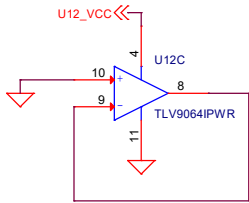
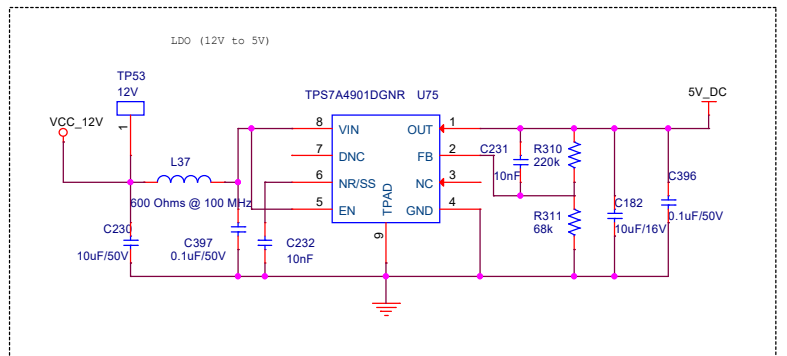
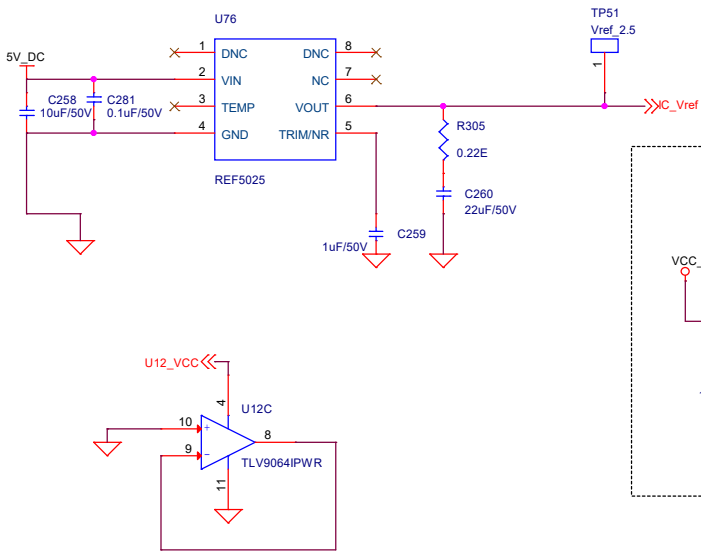
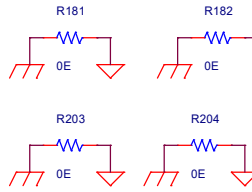
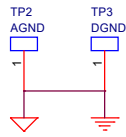
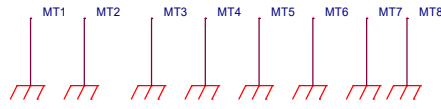
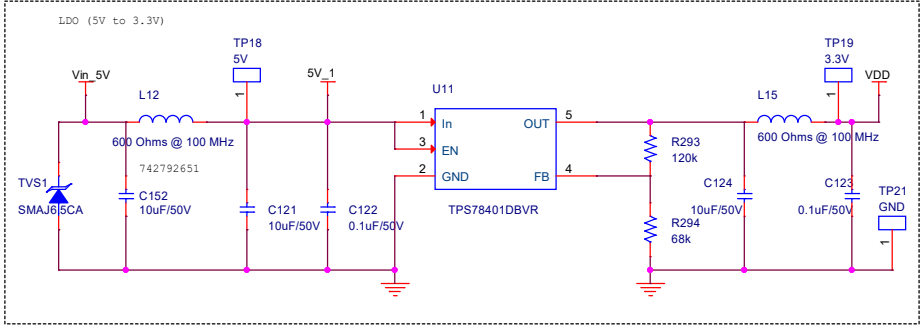


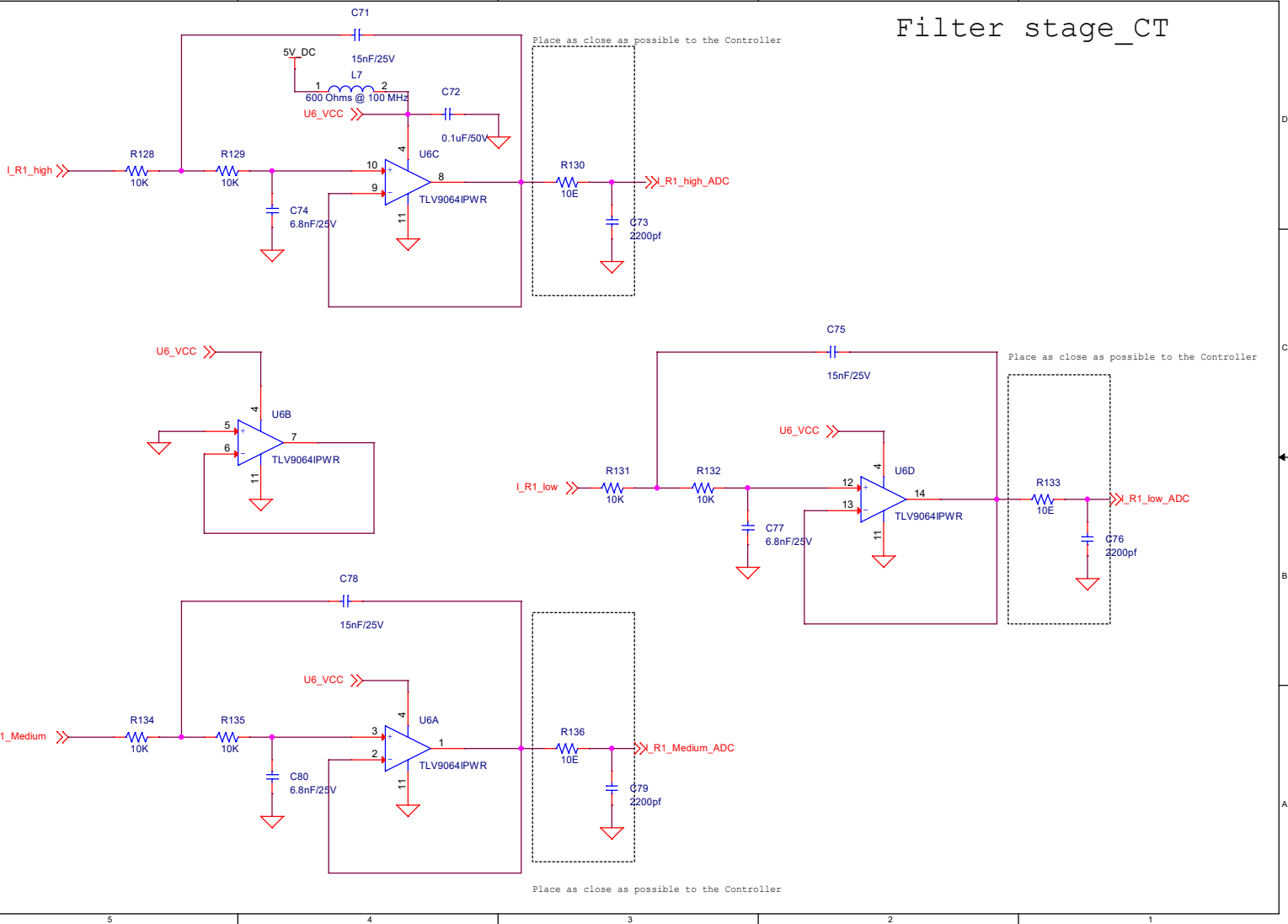
# REFERENCE



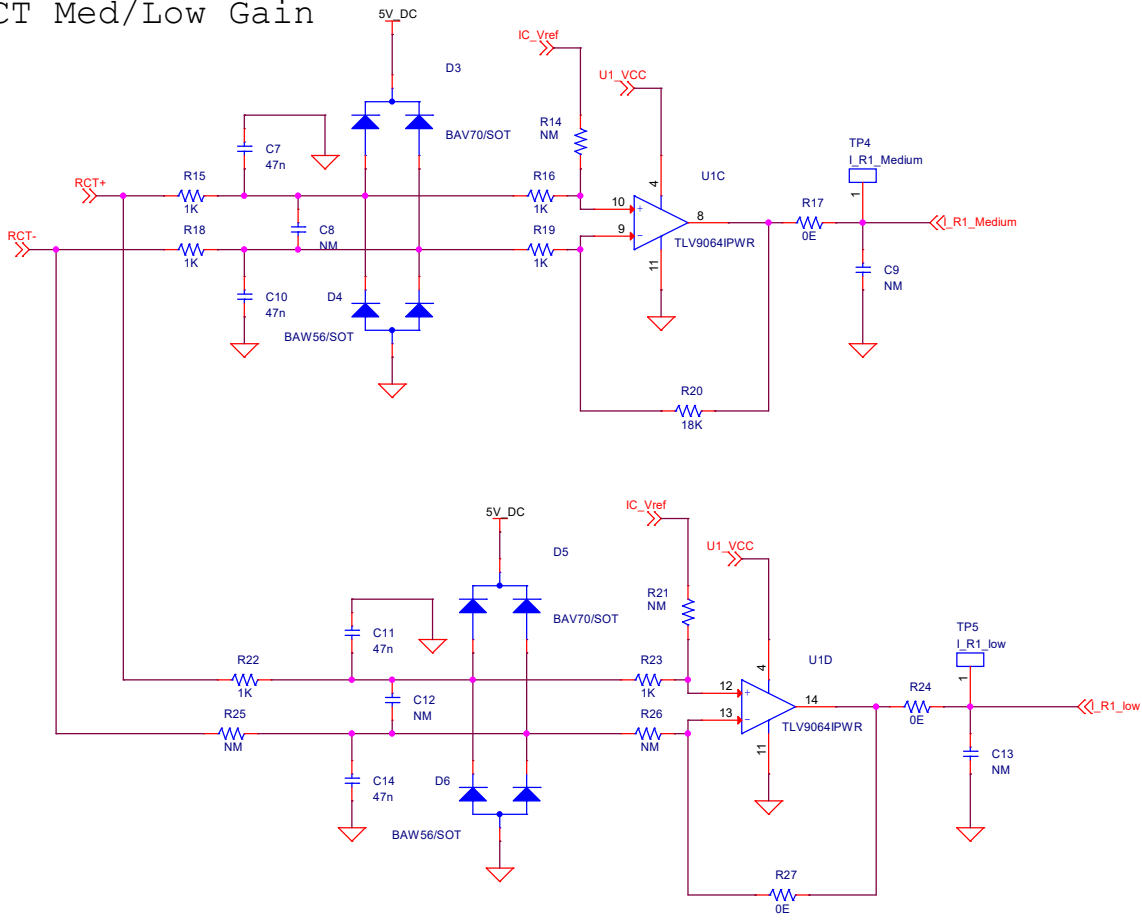
# LDO



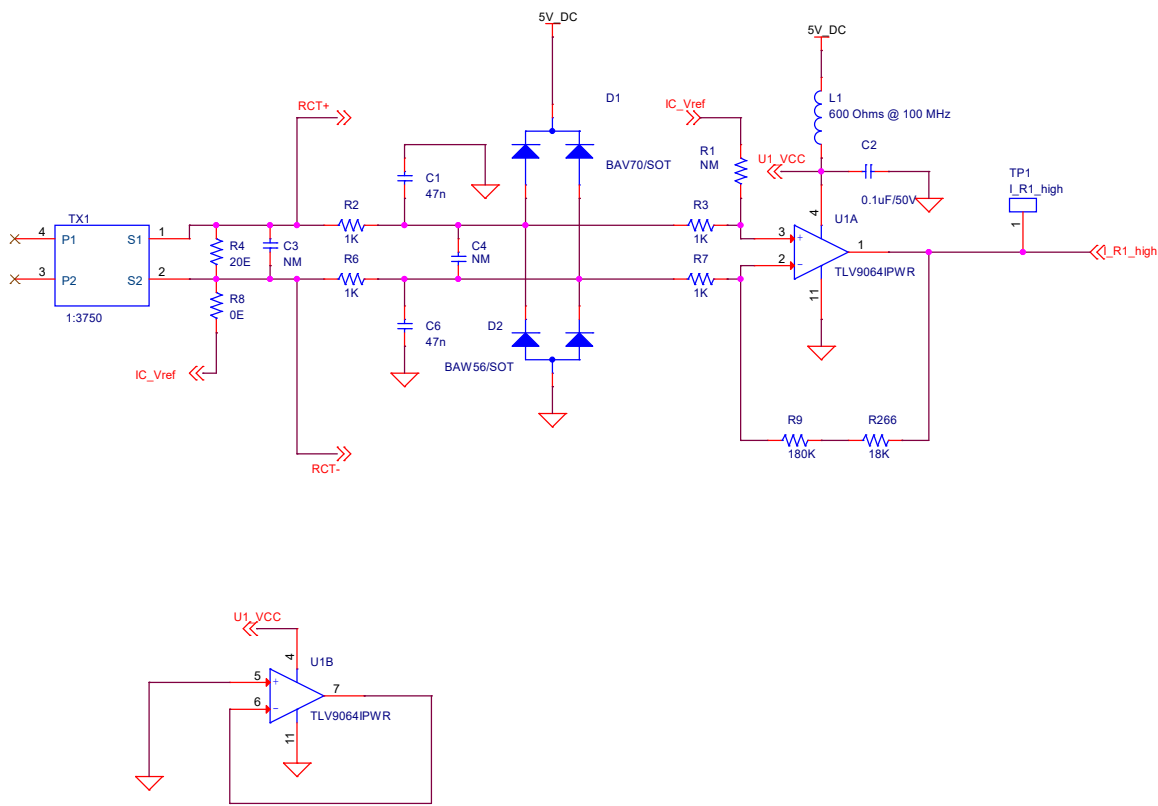
# Filter stage\_CT



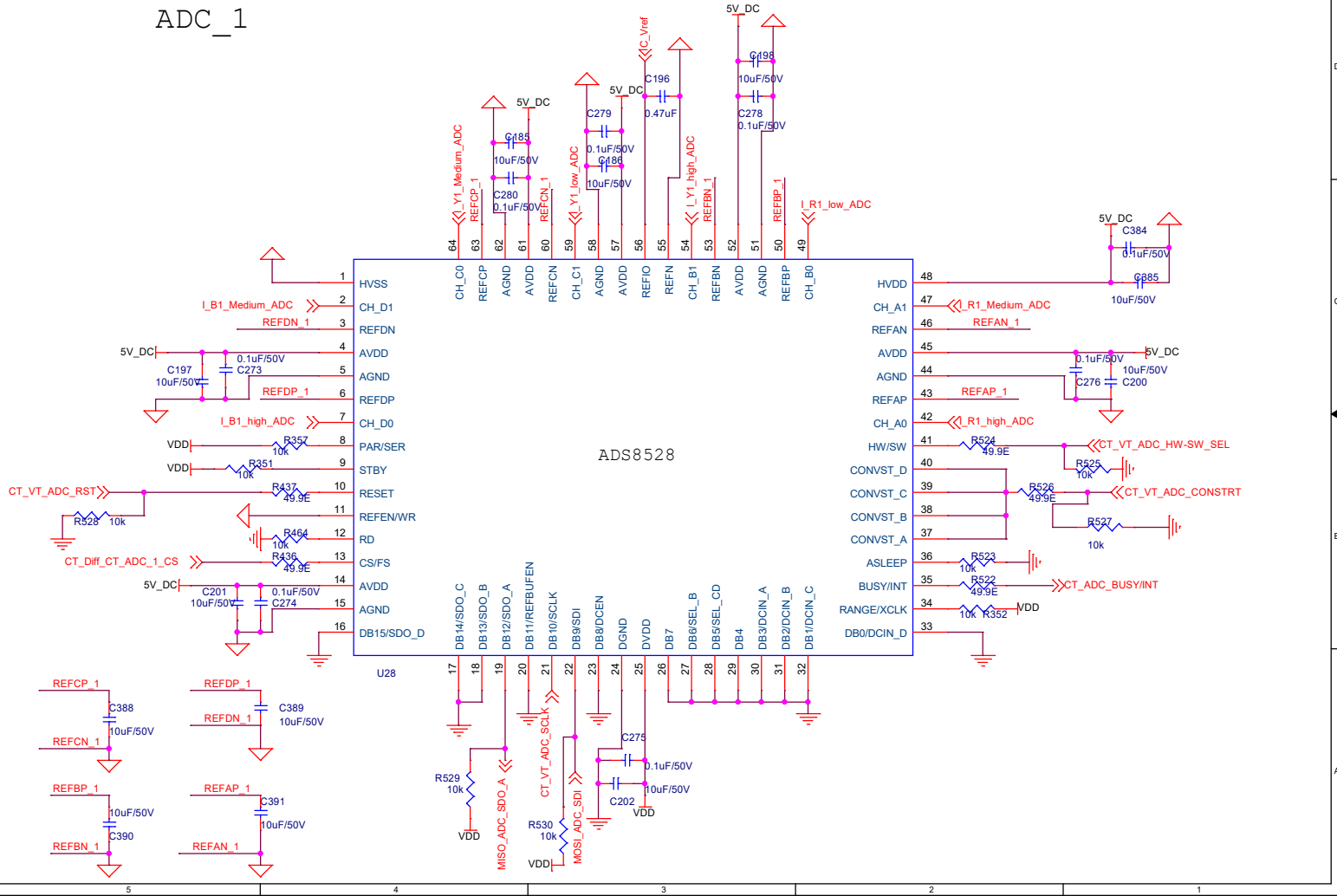
# CT Med/Low Gain



# CT High Gain



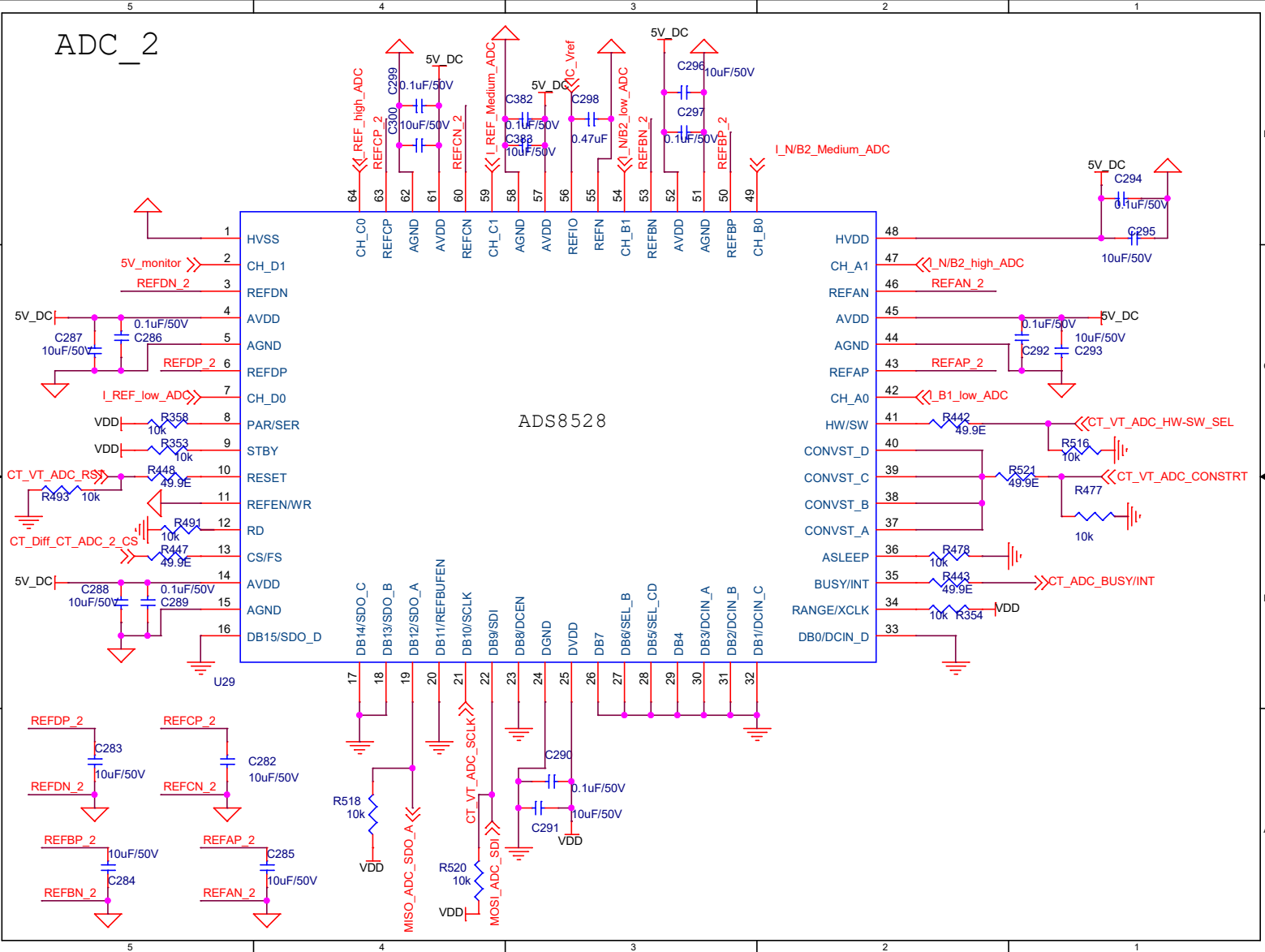
# ADC\_1



ADS8528

U28

# ADC\_2



# ADC\_3

