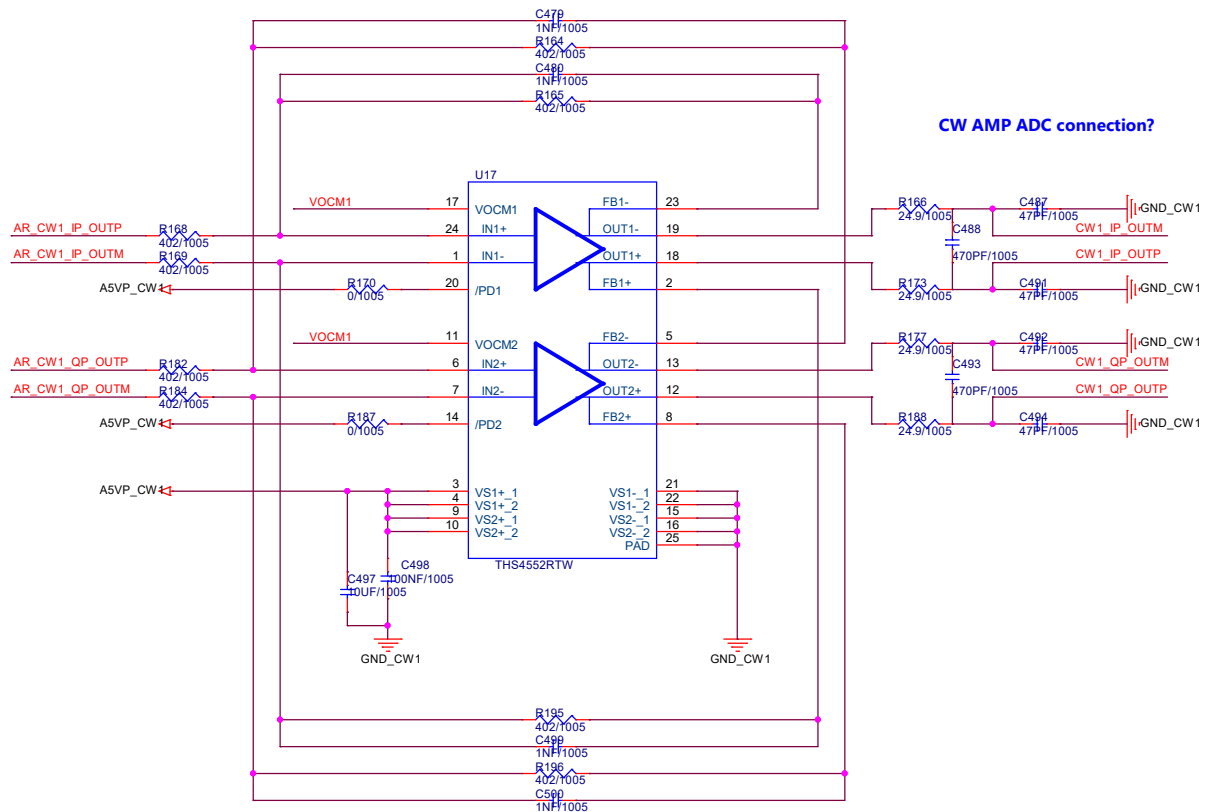
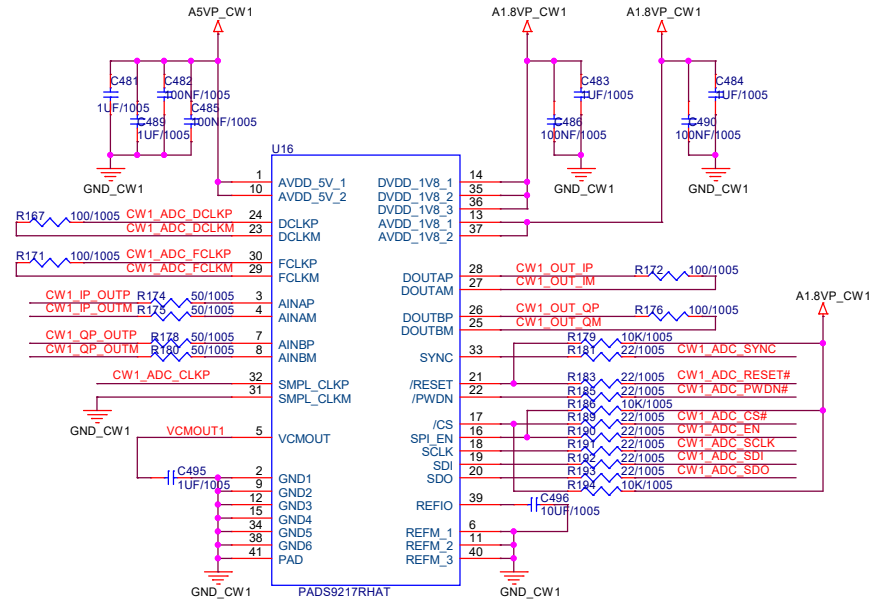


- AR_CW1_IP_OUTP
- AR_CW1_IP_OUTM
- AR_CW1_QP_OUTP
- AR_CW1_QP_OUTM
- CW1_OUT_IP
- CW1_OUT_IM
- CW1_OUT_QP
- CW1_OUT_QM
- CW1_ADC_CLKP
- CW1_ADC_SYNC
- CW1_ADC_RESET#
- CW1_ADC_PWDN#
- CW1_ADC_CS#
- CW1_ADC_EN
- CW1_ADC_SCLK
- CW1_ADC_SDI
- CW1_ADC_SDO
- CW1_ADC_DCLKP
- CW1_ADC_DCLKM
- CW1_ADC_FCLKP
- CW1_ADC_FCLKM



CW AMP ADC connection?



Title		052 CW1
Size	Document Number	Rev Po
A3	<Doc>	
Date:	Monday, March 13, 2023	Sheet 20 of 33