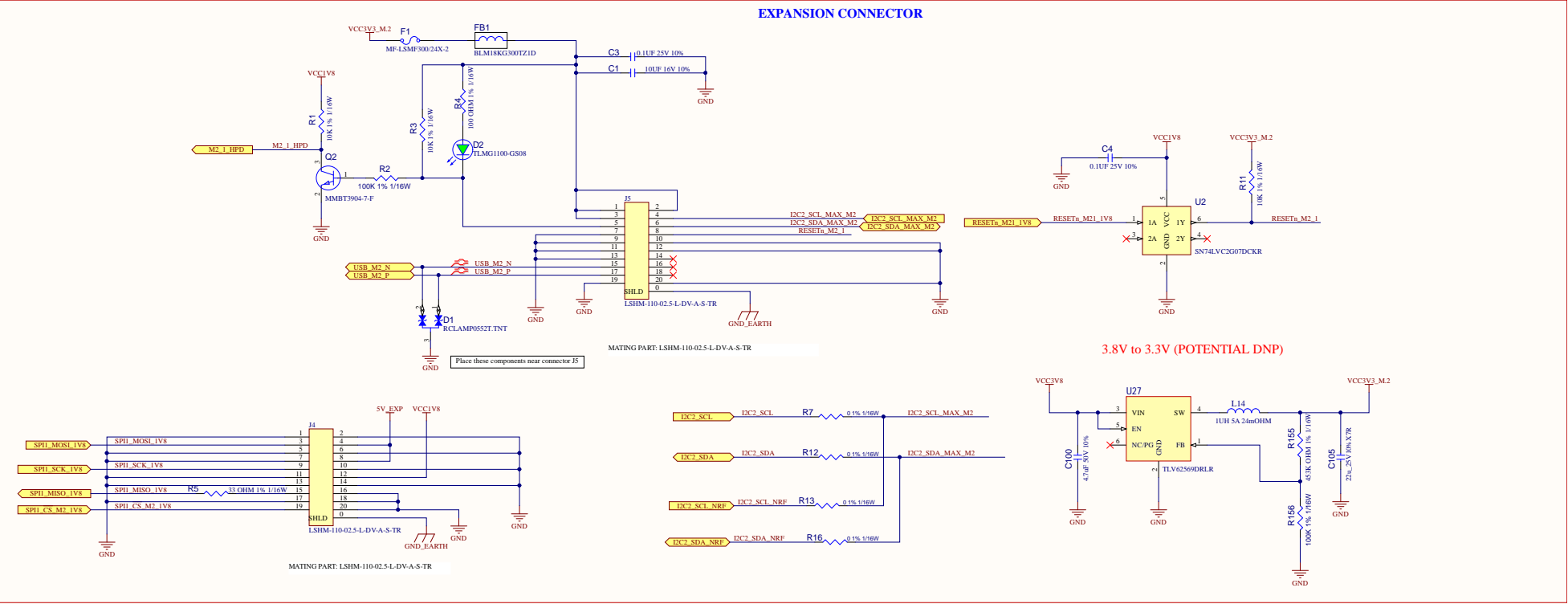
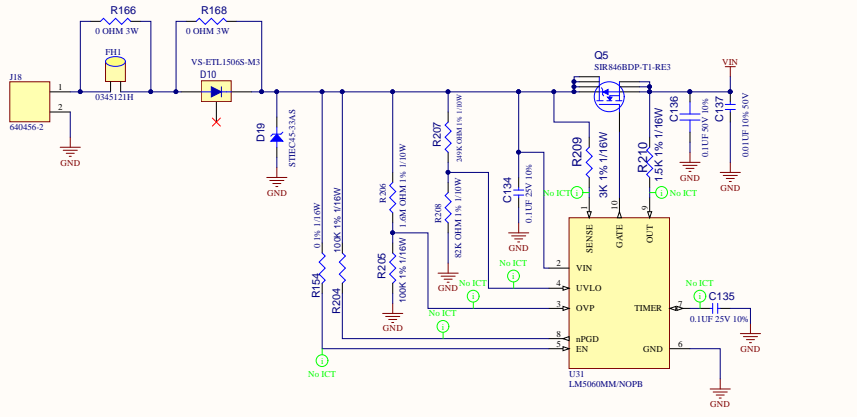


Note:  
 Two USB SWITCH are cascaded  
 1) USB SWITCH used to select USB type C for SC20 programming.  
 2) Cascaded SWITCH is used either to select USB for Nordic programming or for Expansion board

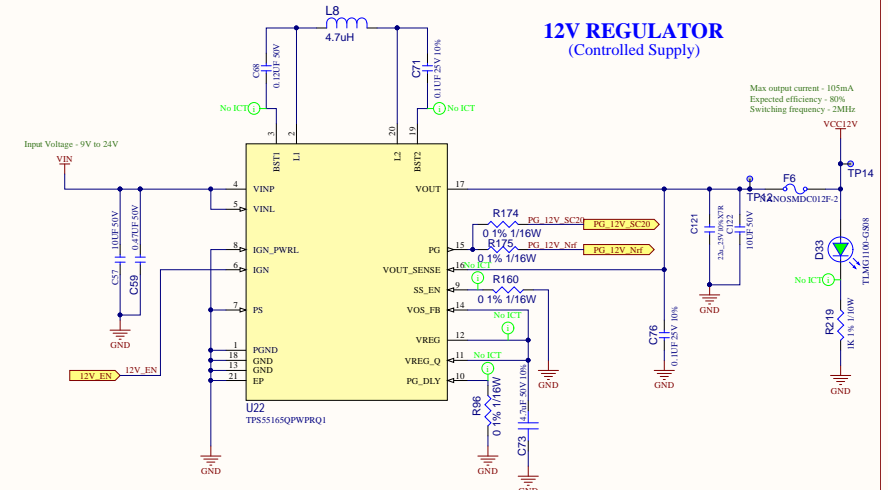


Note:  
 Either M.2 Board or other expansion board can be fitted on LSHM-110-02.5-L-DV-A-S-TR headers

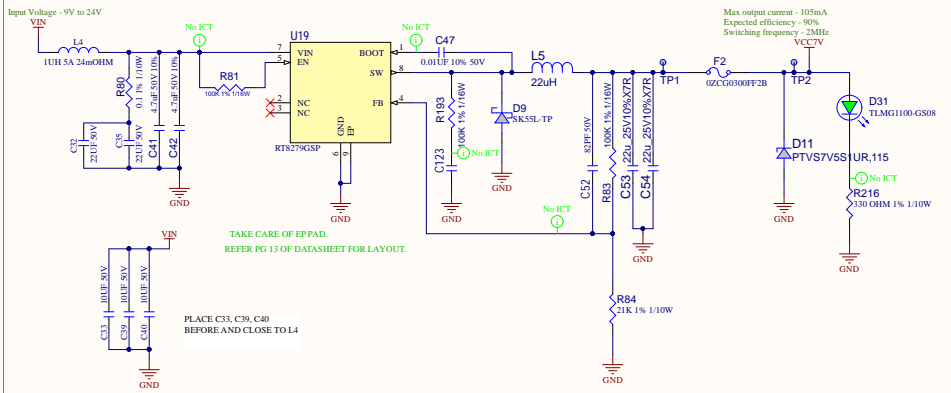
## BATTERY REVERSE AND SURGE PROTECTION



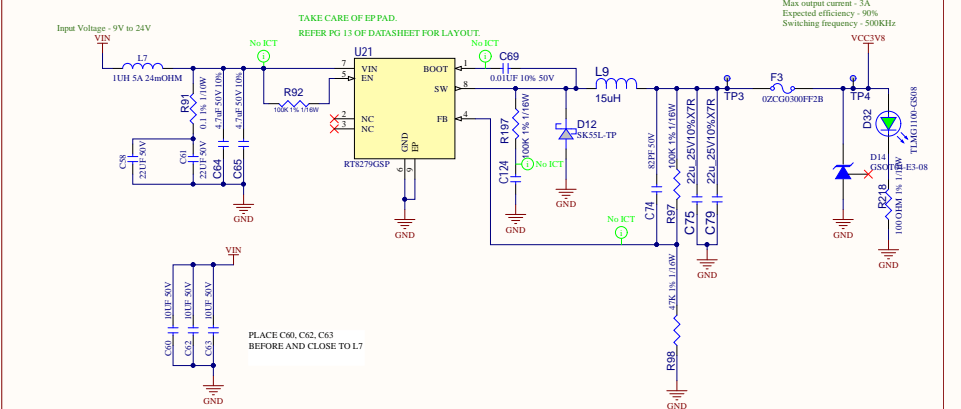
## 12V REGULATOR (Controlled Supply)



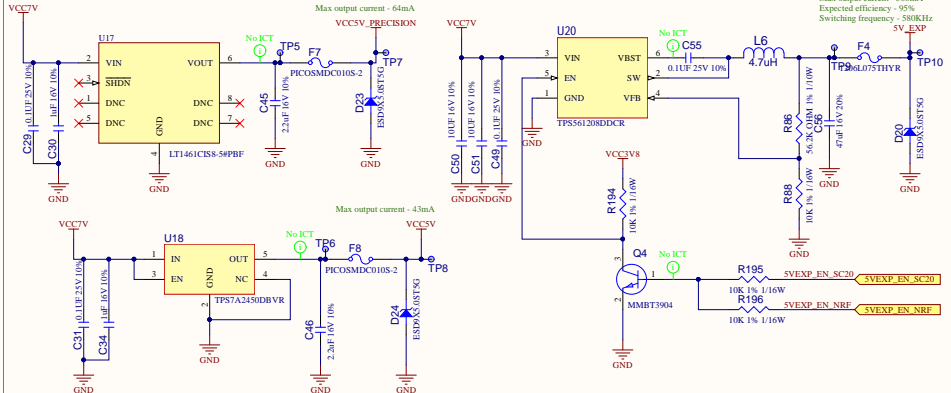
## 7V REGULATOR



## 3.8V REGULATOR



## 5V REGULATORS



## 1.8V REGULATOR

