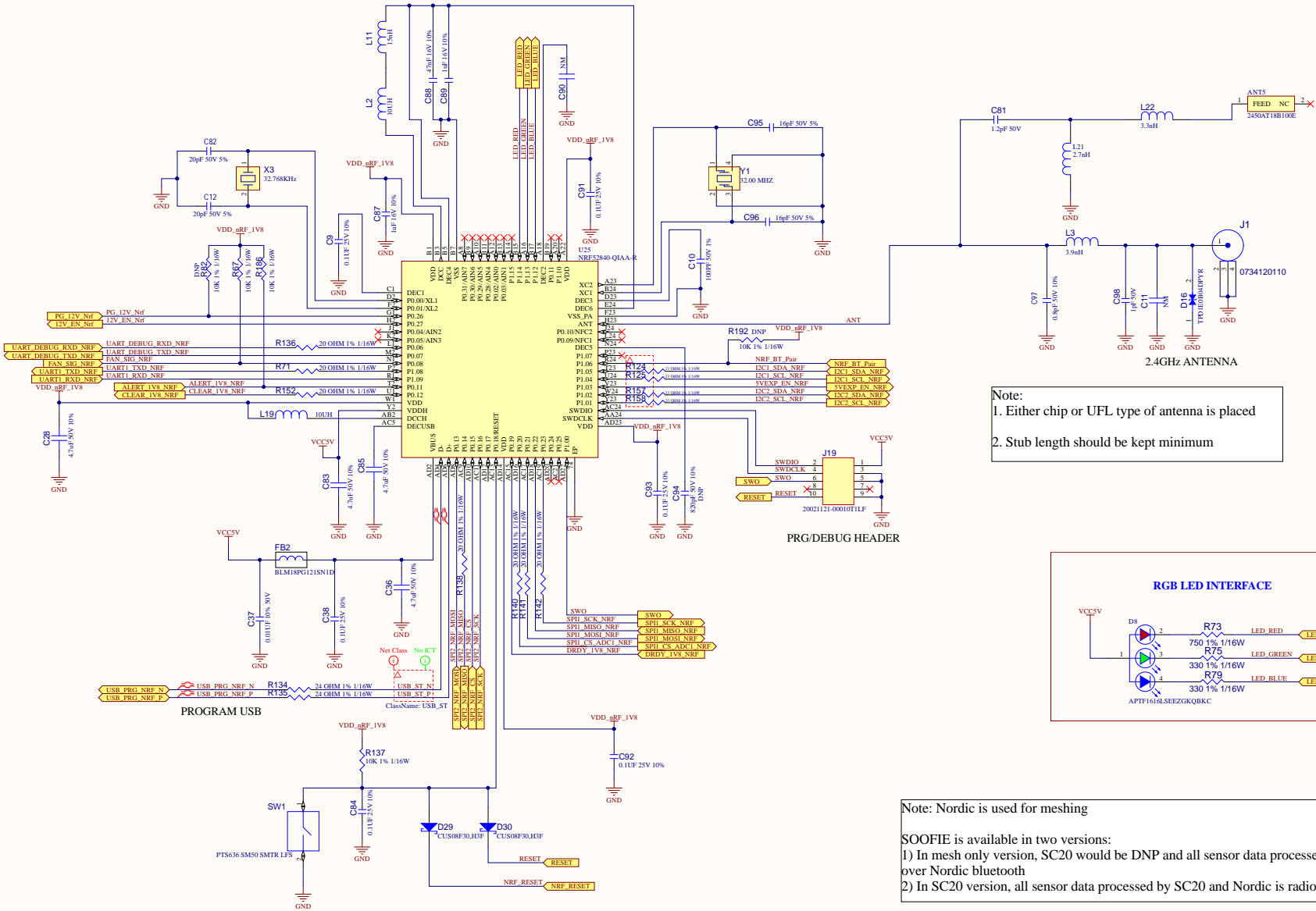
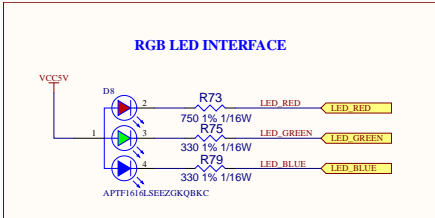


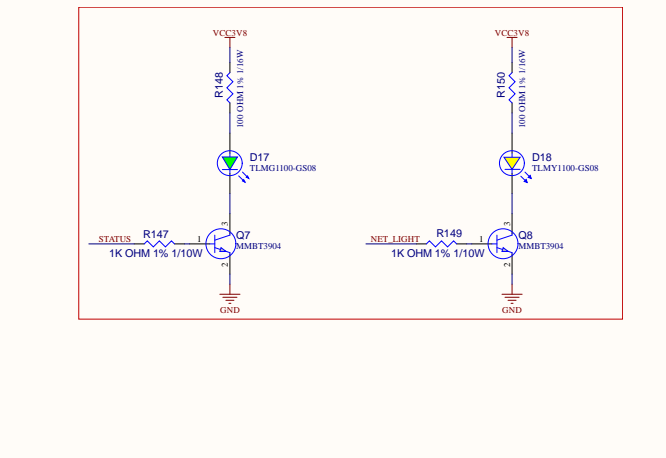
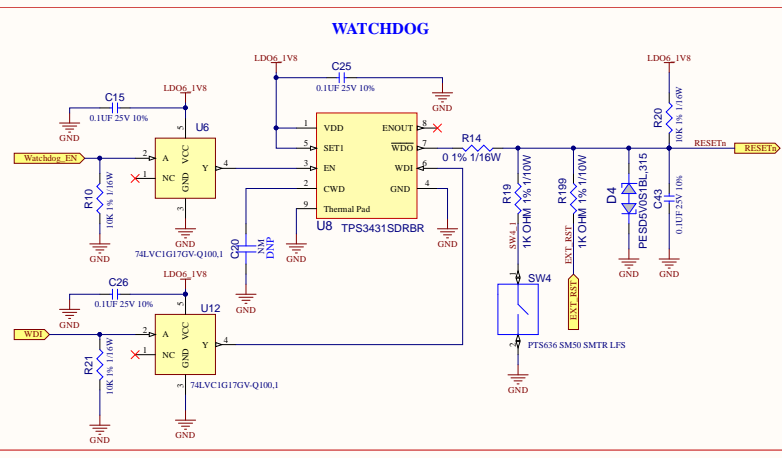
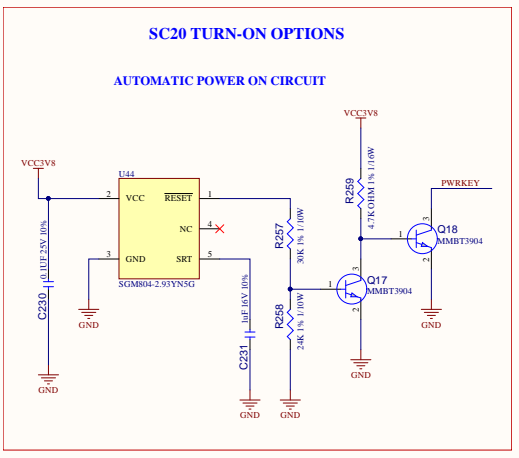
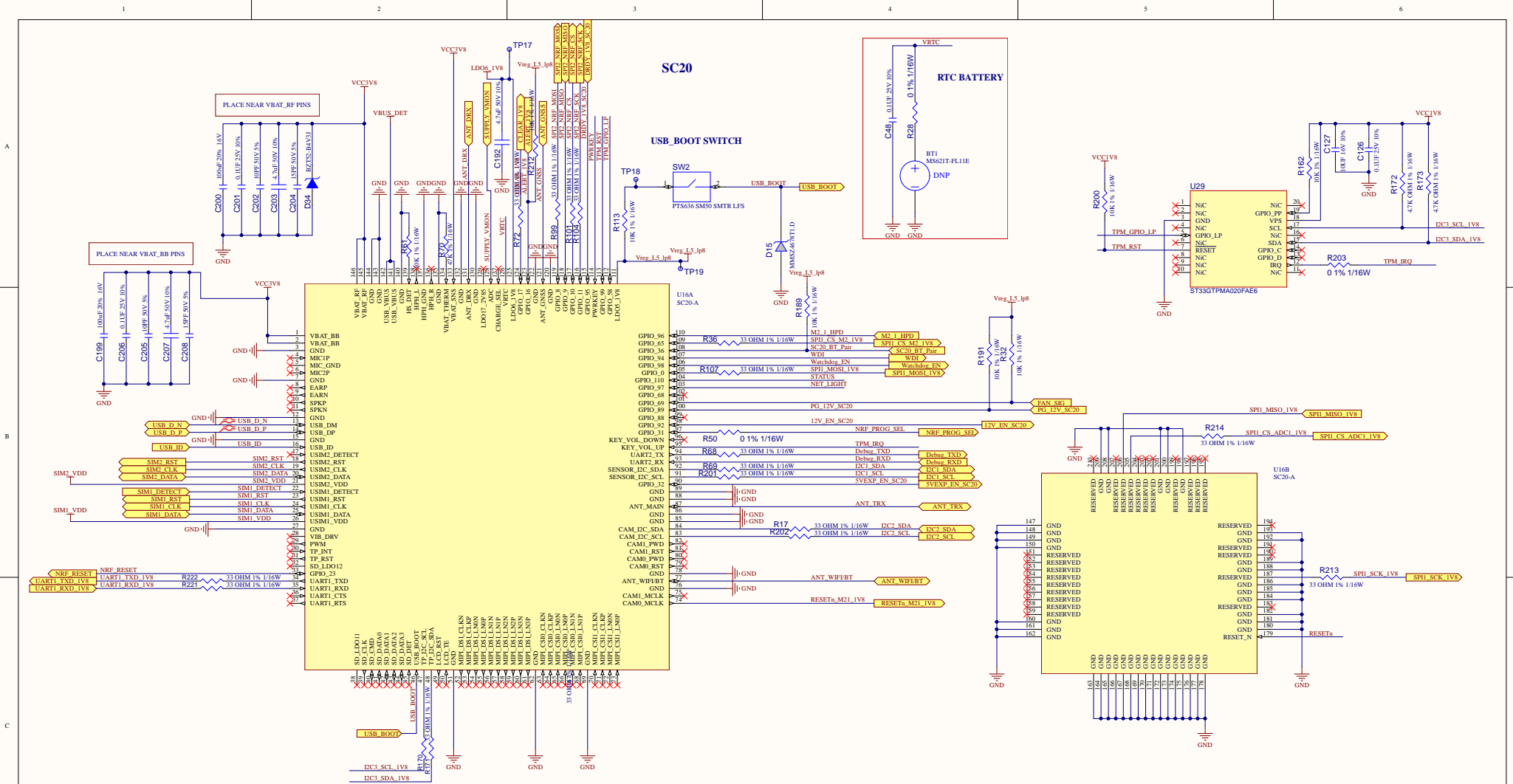
NORDIC CONTROLLER



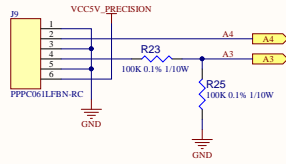
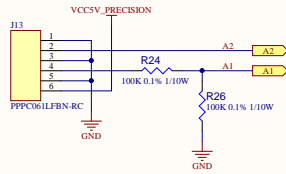
Note:
 1. Either chip or UFL type of antenna is placed
 2. Stub length should be kept minimum



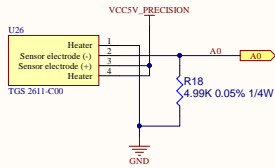
Note: Nordic is used for meshing
 SOFIE is available in two versions:
 1) In mesh only version, SC20 would be DNP and all sensor data processed by Nordic and communicated over Nordic bluetooth
 2) In SC20 version, all sensor data processed by SC20 and Nordic is radio only.



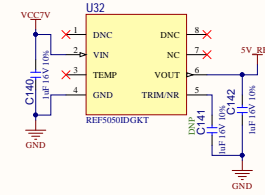
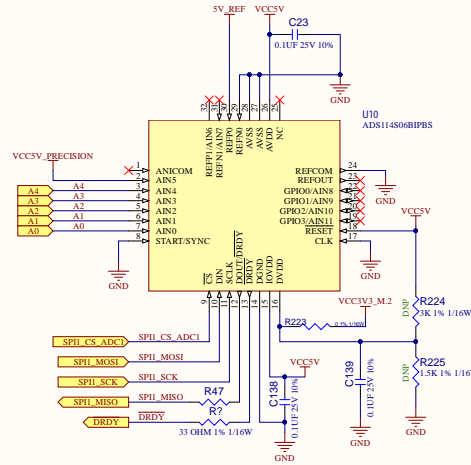
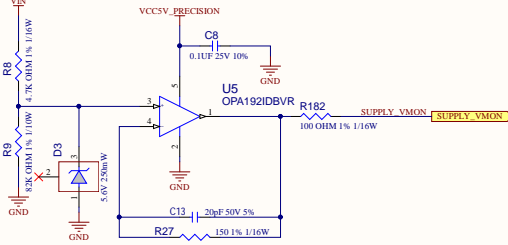
H2S SENSOR CONNECTORS



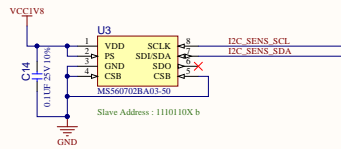
METHANE SENSOR



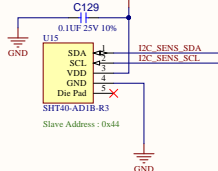
BATTERY MONITORING CIRCUIT



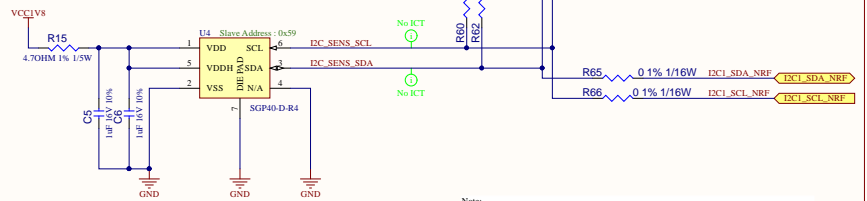
PRESSURE SENSOR



CONNECTOR FOR TEMP HUMIDITY SENSOR

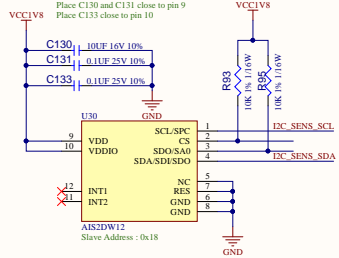


TVOC SENSOR

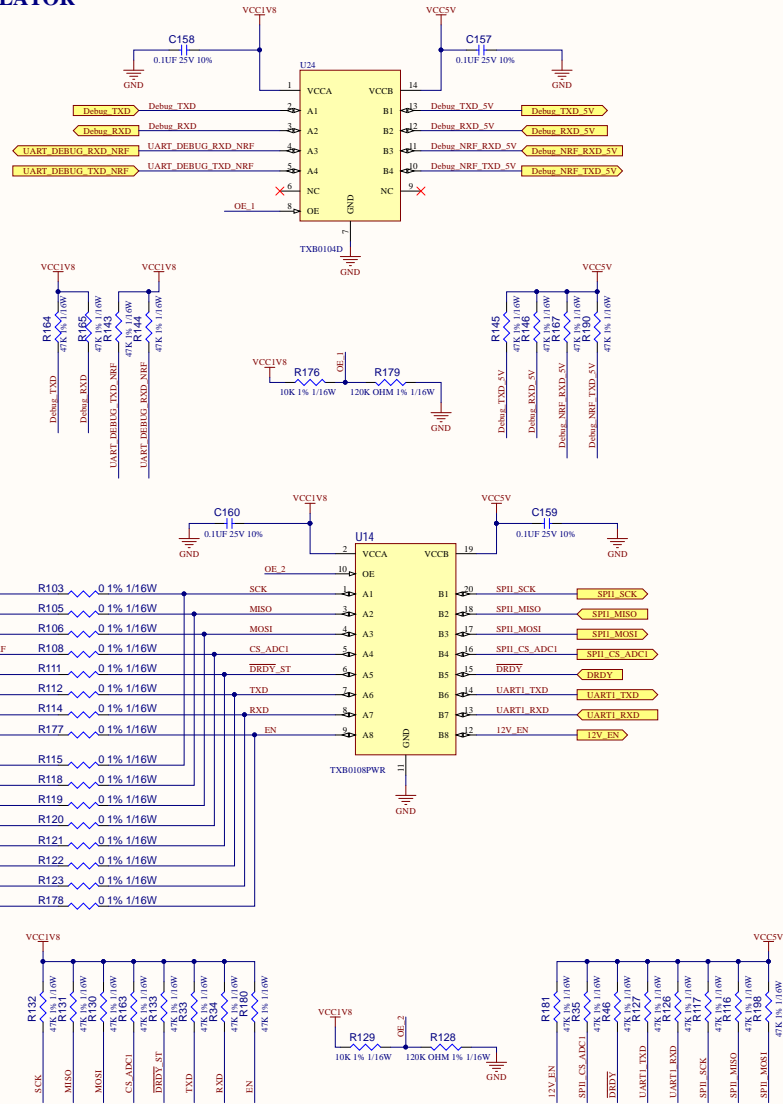


Note: All I2C slaves are connected to same net label which is then distributed to SC20 & NRF modules

Note:
Place C130 and C131 close to pin 9
Place C133 close to pin 10



1.8V TO 5V TRANSLATOR



Note:
At a time only one set of 0 ohm shall be mounted at input of U14 and other set shall be DNP.