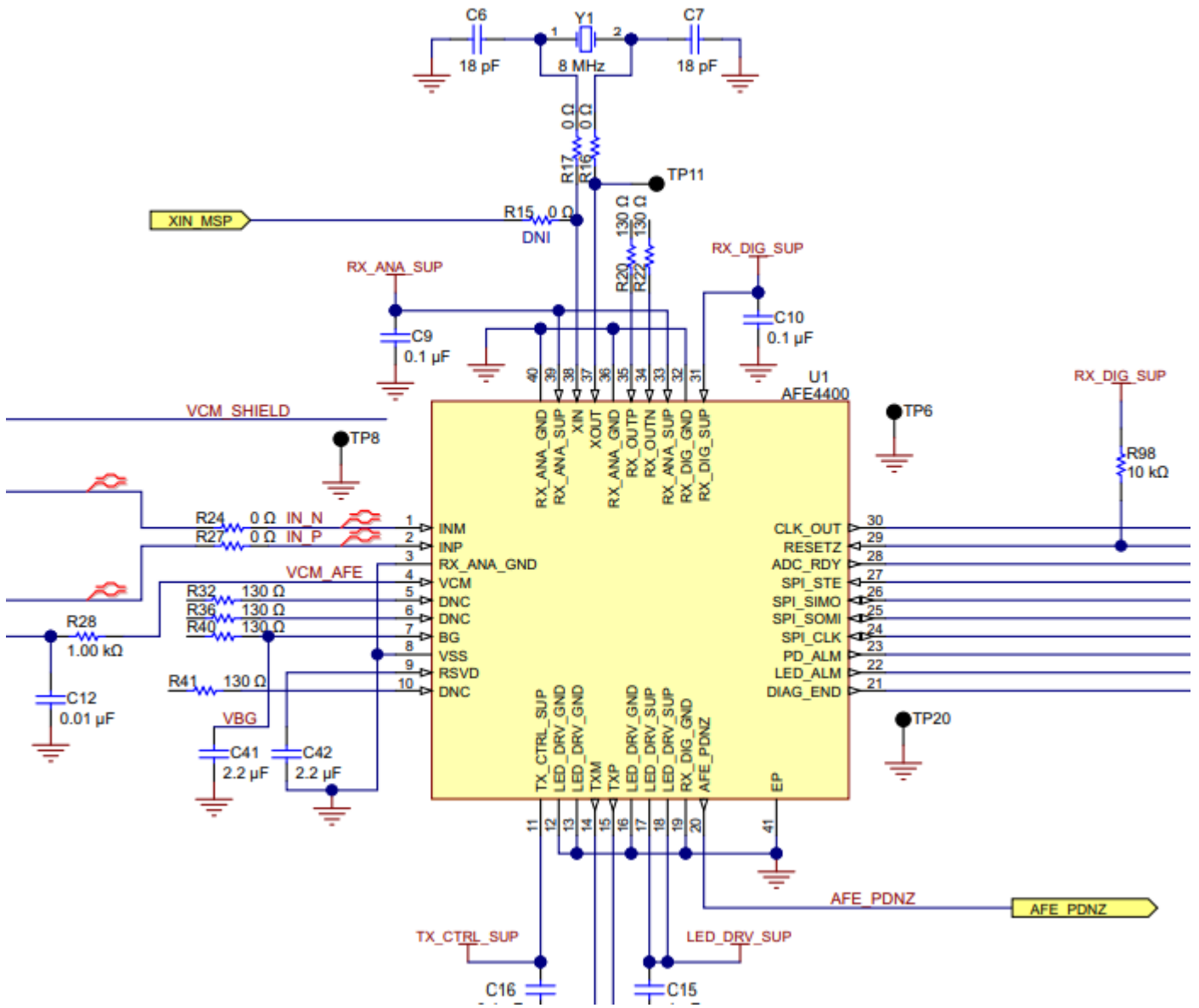
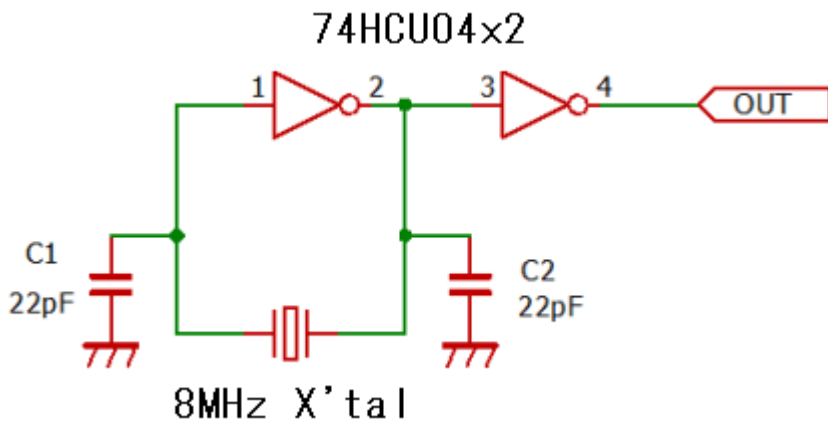


The circuit made this time.

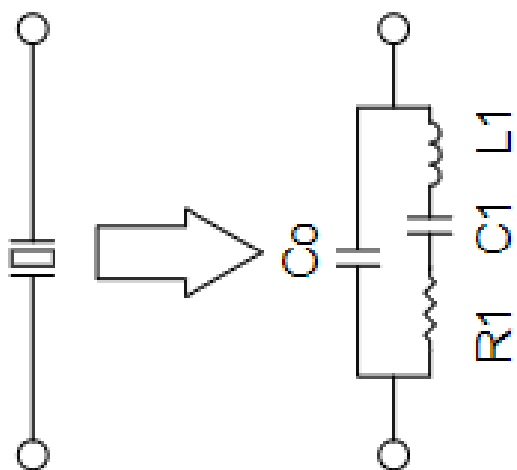


Crystal oscillator circuit by 74HCU04

R15, R16, R17 in the schematic were deleted and the OUT terminal was connected to Xin(38pin).



Equivalent circuit of crystal oscillator



What are the recommended values for C_0 , L_1 , C_1 , R_1 ?

If there is a recommended value.