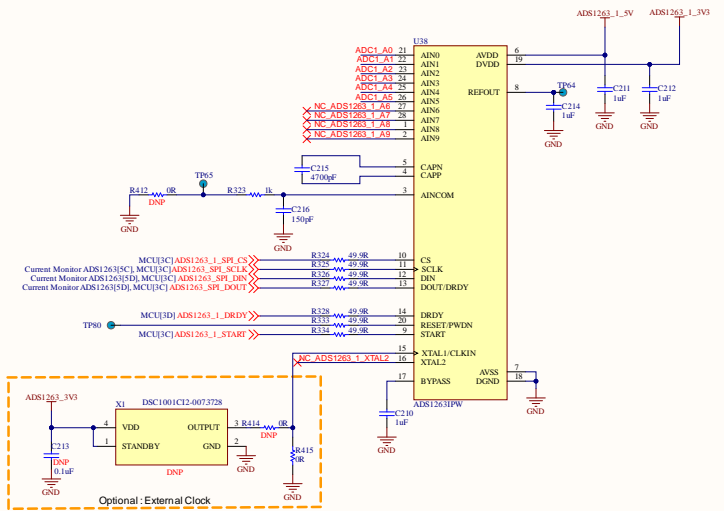
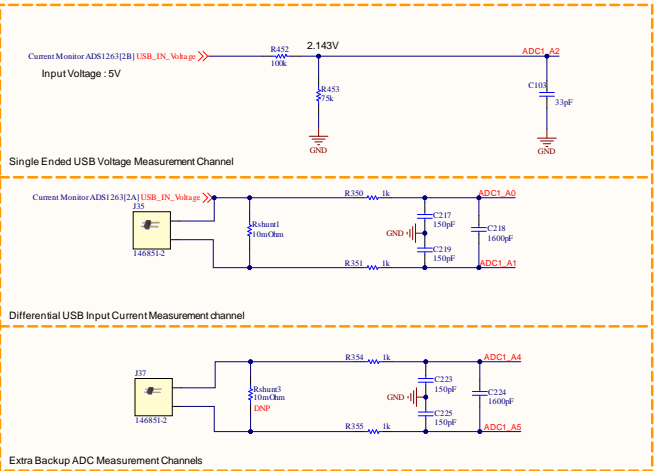
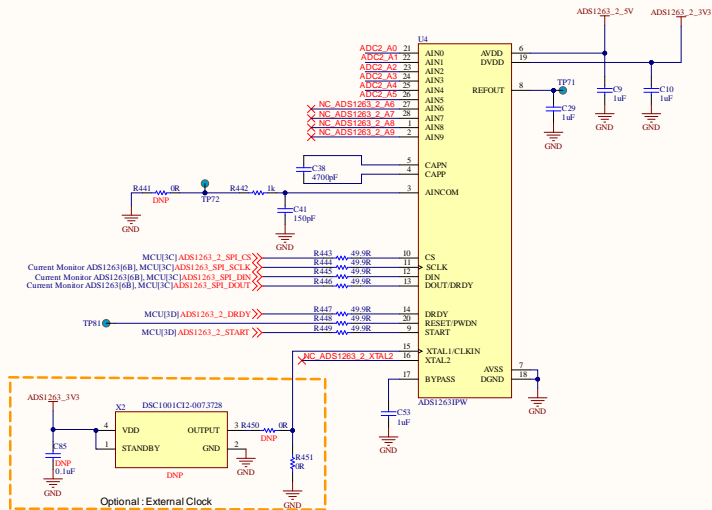
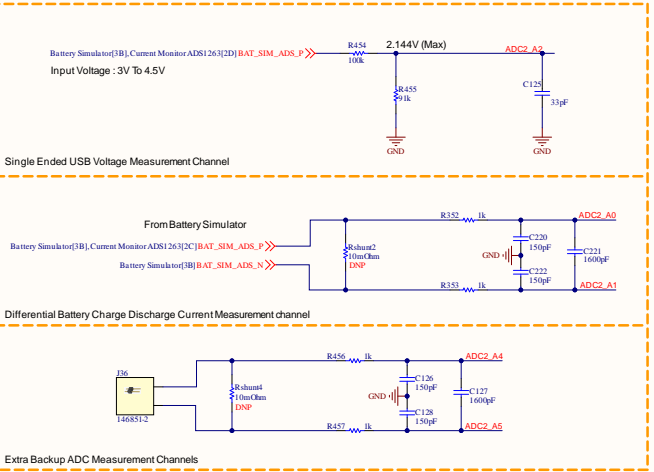


Routing Guideline
1) Route this signals differentially, AD&A1, A2&A3, A4&A5

1) Internal Vref 2.5V, RFOUT pin tie to GND with 1 uF
2) Default clock is internal



DUT USB Input System Current Measurement



Battery Charge Discharge Current Measurement