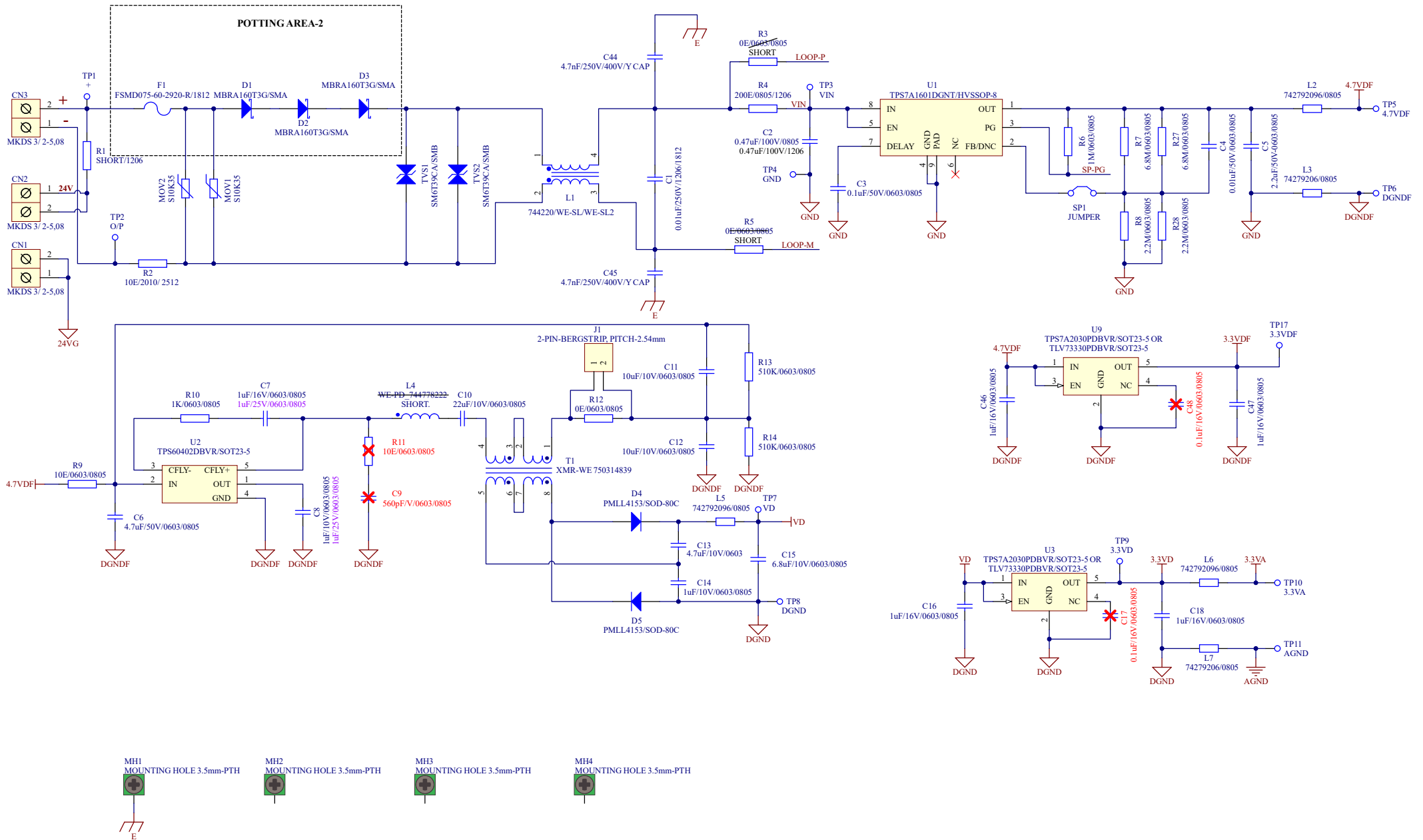
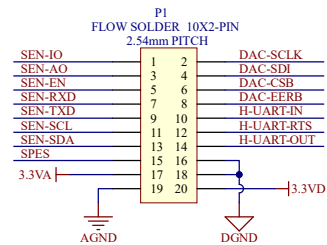
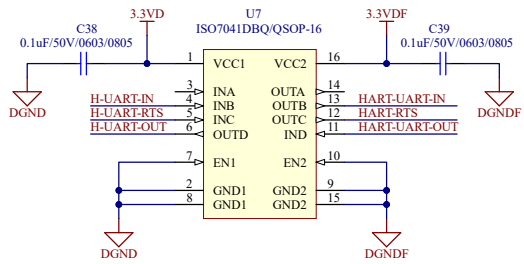
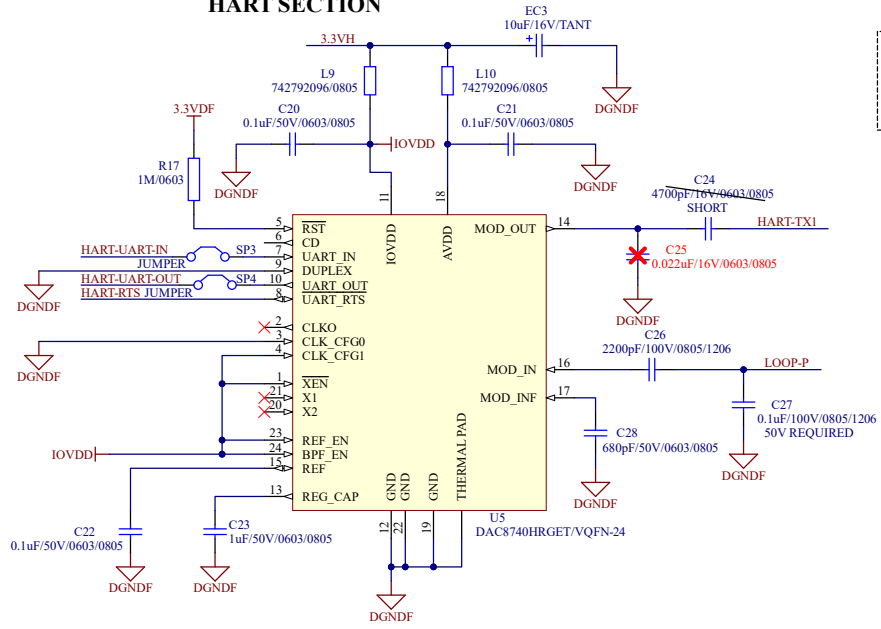


# ISOLATED SUPPLY

- FD1 FIDUCIAL - ROUND
- FD2 FIDUCIAL - ROUND
- FD3 FIDUCIAL - ROUND
- FD4 FIDUCIAL - ROUND



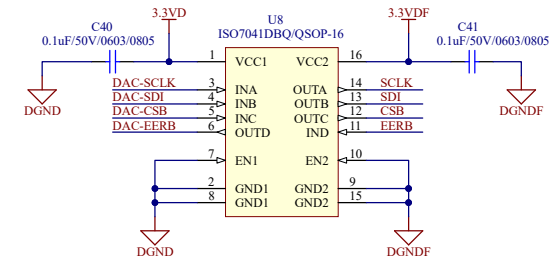
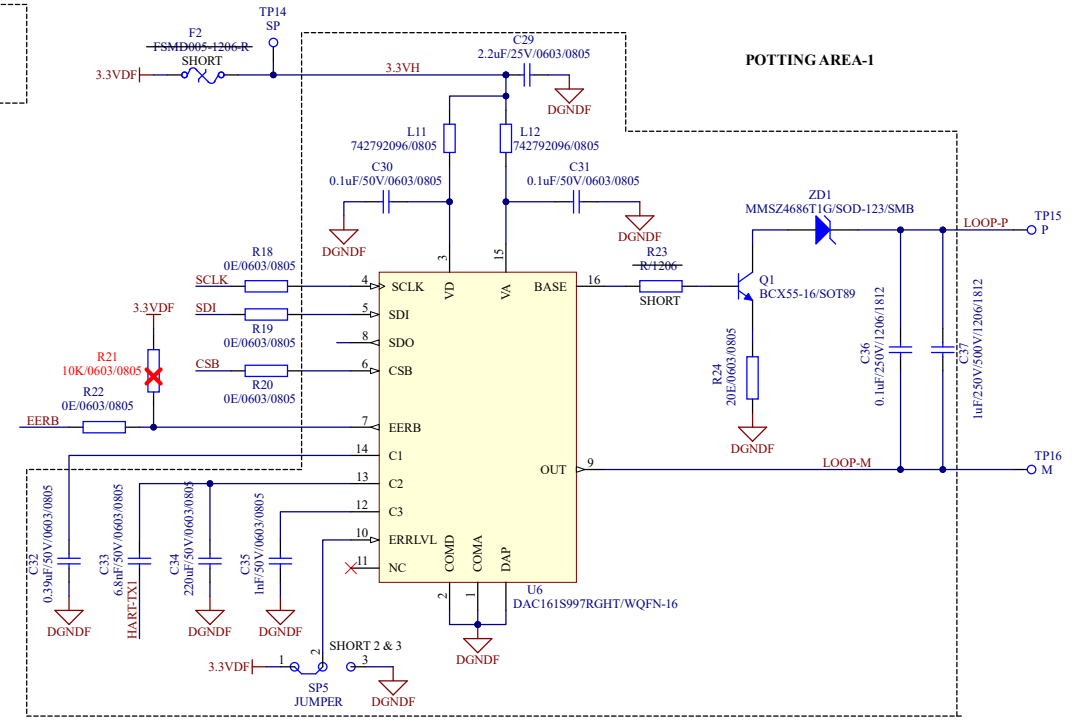
### HART SECTION



### ON TOPSIDE OF PCB POTTING AREA-3

**Q4 COMPONENT COLLECTOR AREA OF**

### 4-20mA LOOP POWERED SECTION



### TEMPERATURE & HUMIDITY SENSOR SECTION

