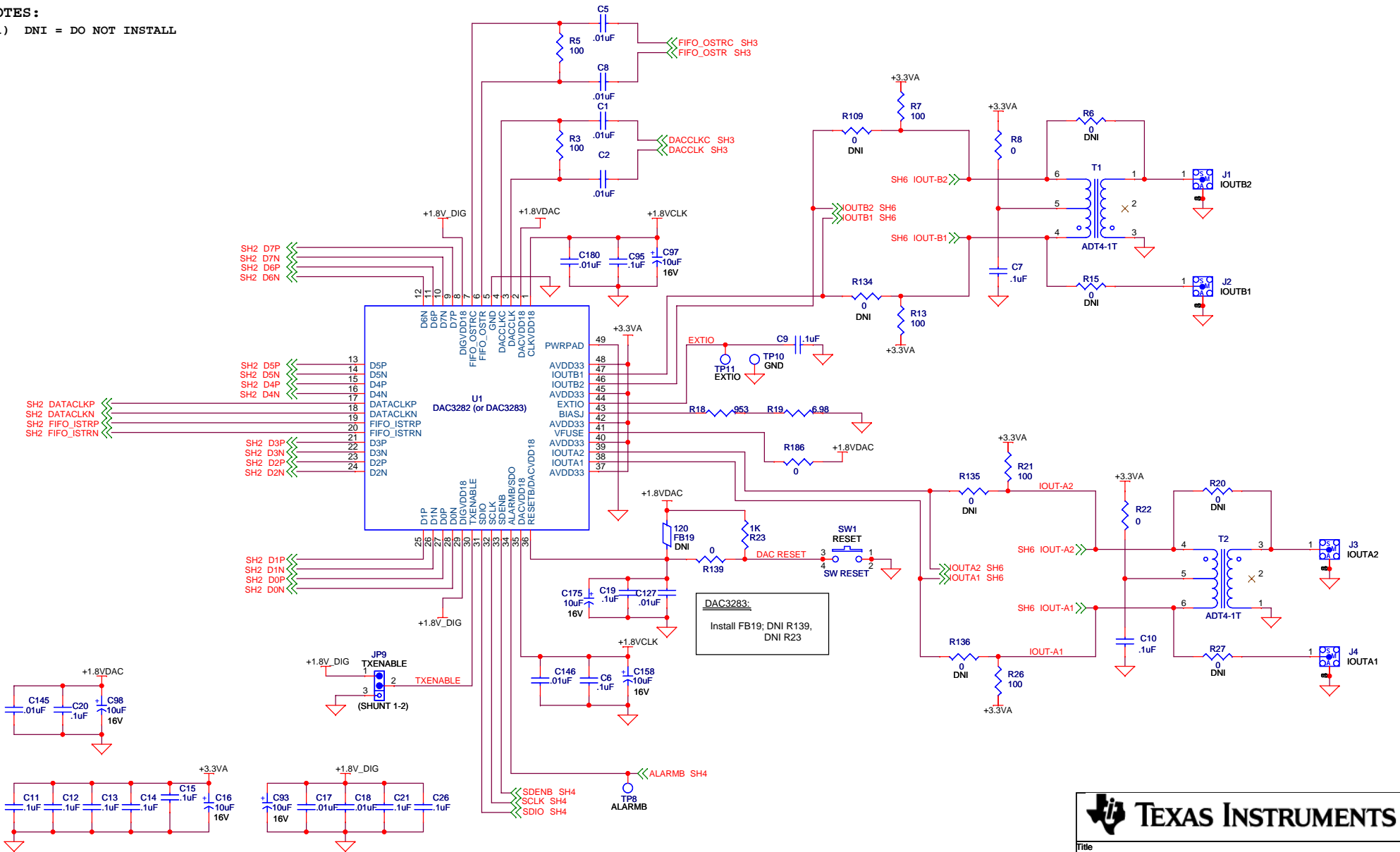


NOTES:

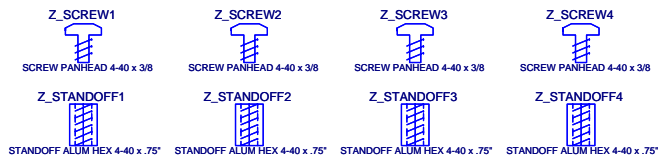
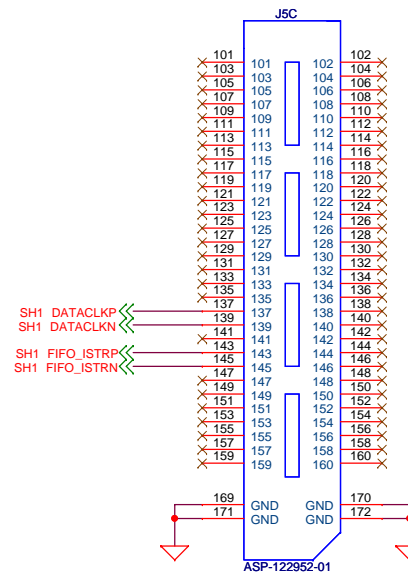
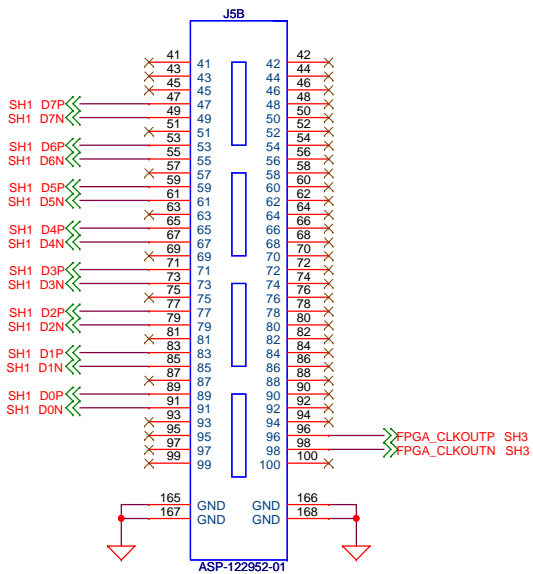
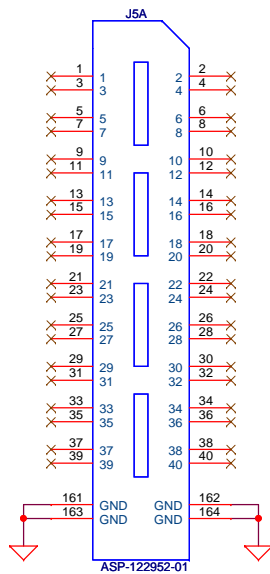
1) DNI = DO NOT INSTALL



DAC3283:
Install FB19; DNI R139,
DNI R23

TEXAS INSTRUMENTS

Title		
DAC3282/83 EVM		
Size	Document Number	Rev
B	DAC	E
Date:	Wednesday, April 21, 2010	Sheet 1 of 7

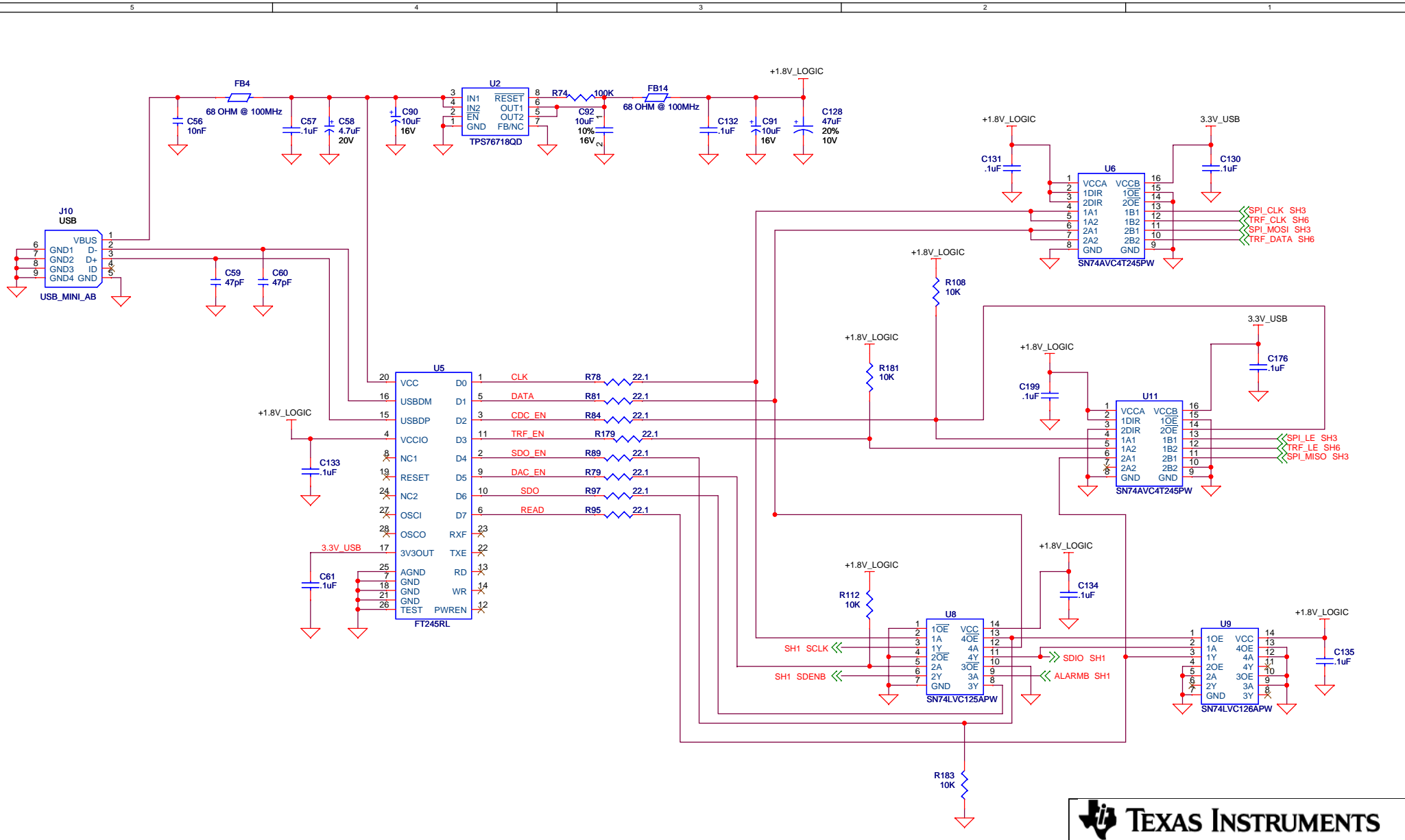


TEXAS INSTRUMENTS

Title: **DAC3282/83 EVM**

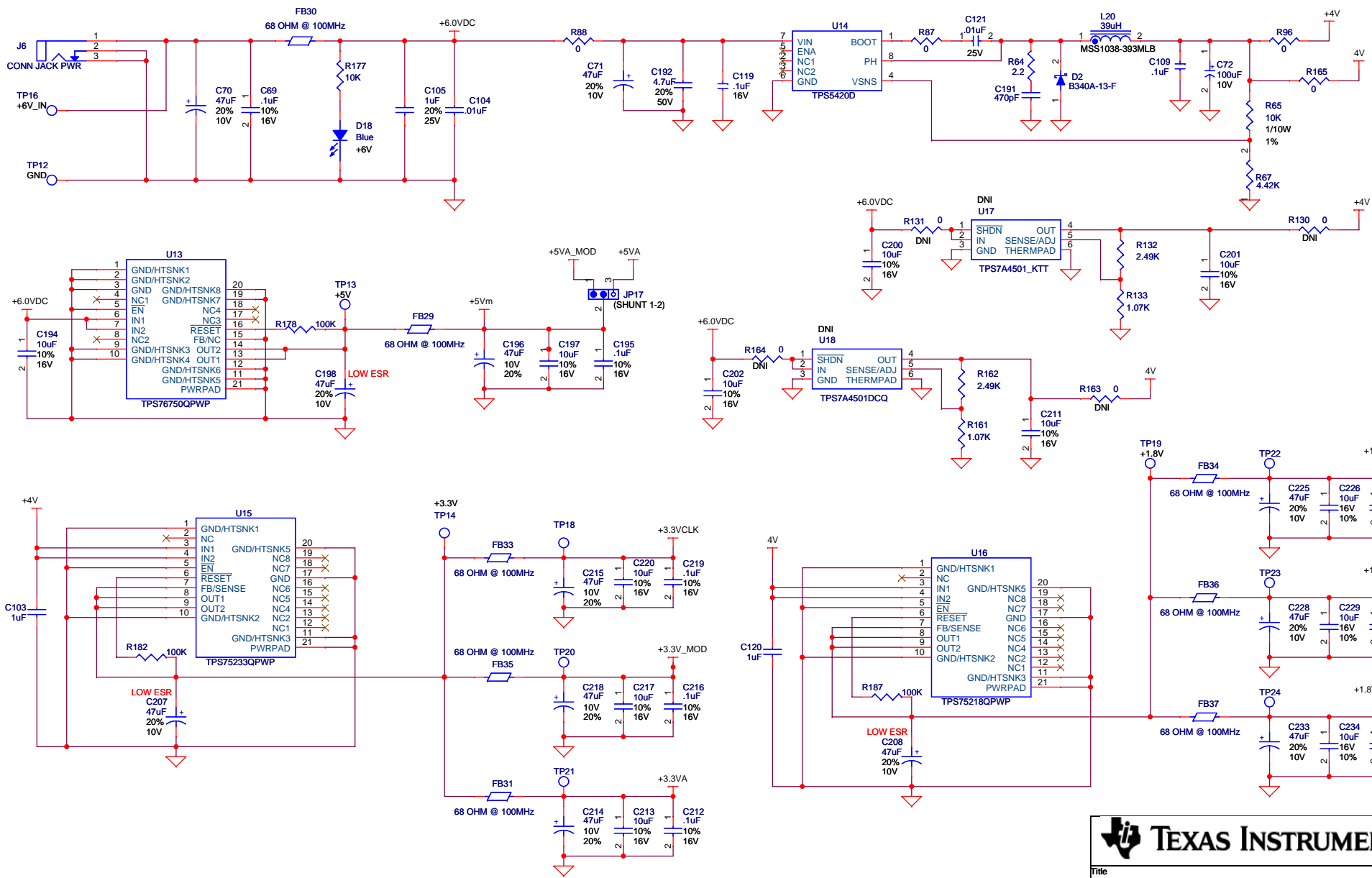
Size **B** Document Number **INTERFACE CONTROL** Rev **E**

Date: Monday, April 19, 2010 Sheet 2 of 7



TEXAS INSTRUMENTS

Title		DAC3282/83 EVM
Size	Document Number	USB INTERFACE
B		Rev E
Date:	Monday, April 19, 2010	Sheet 4 of 7



TEXAS INSTRUMENTS

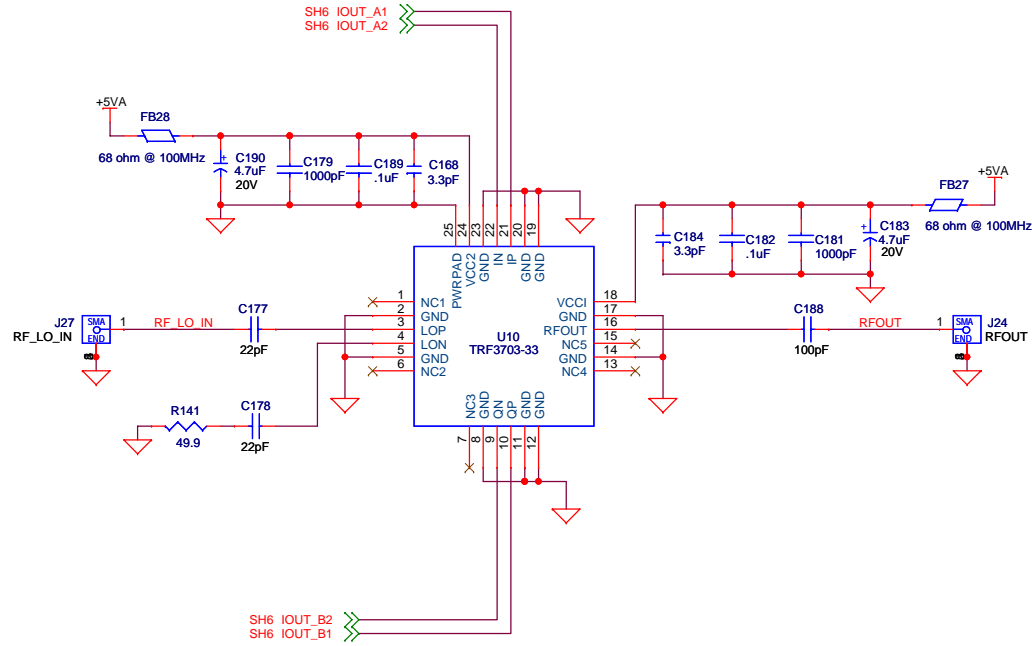
Title: **DAC3282/83 EVM**

Size: **B** Document Number: **POWER DISTRIBUTION** Rev: **E**

Date: **Monday, April 19, 2010** Sheet: **5** of **7**

NOTES :

- 1) DNI = DO NOT INSTALL



Title		
DAC3282/83 EVM		
Size	Document Number	Rev
B	MODULATOR	E
Date:	Monday, April 19, 2010	Sheet 7 of 7