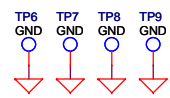
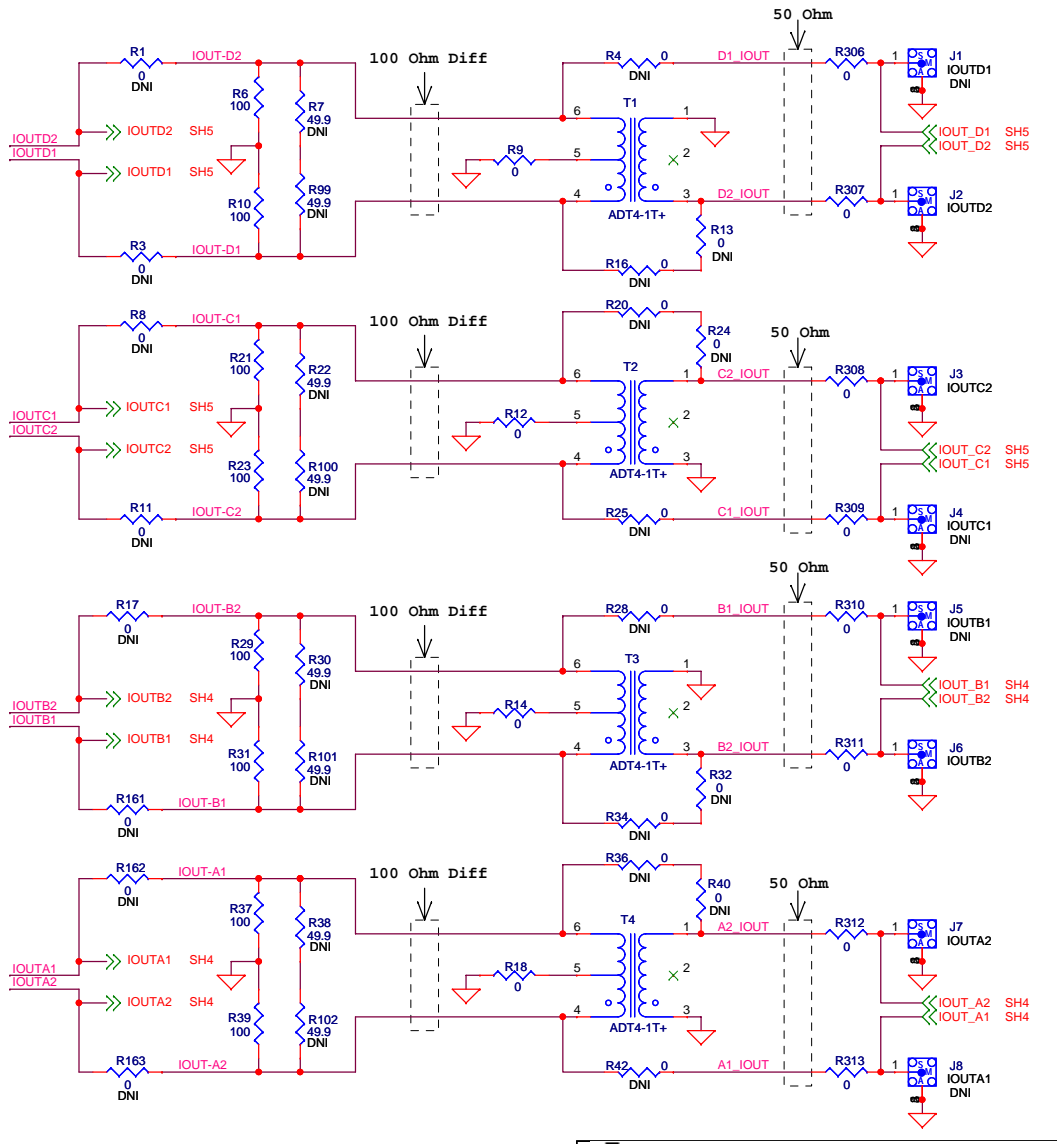
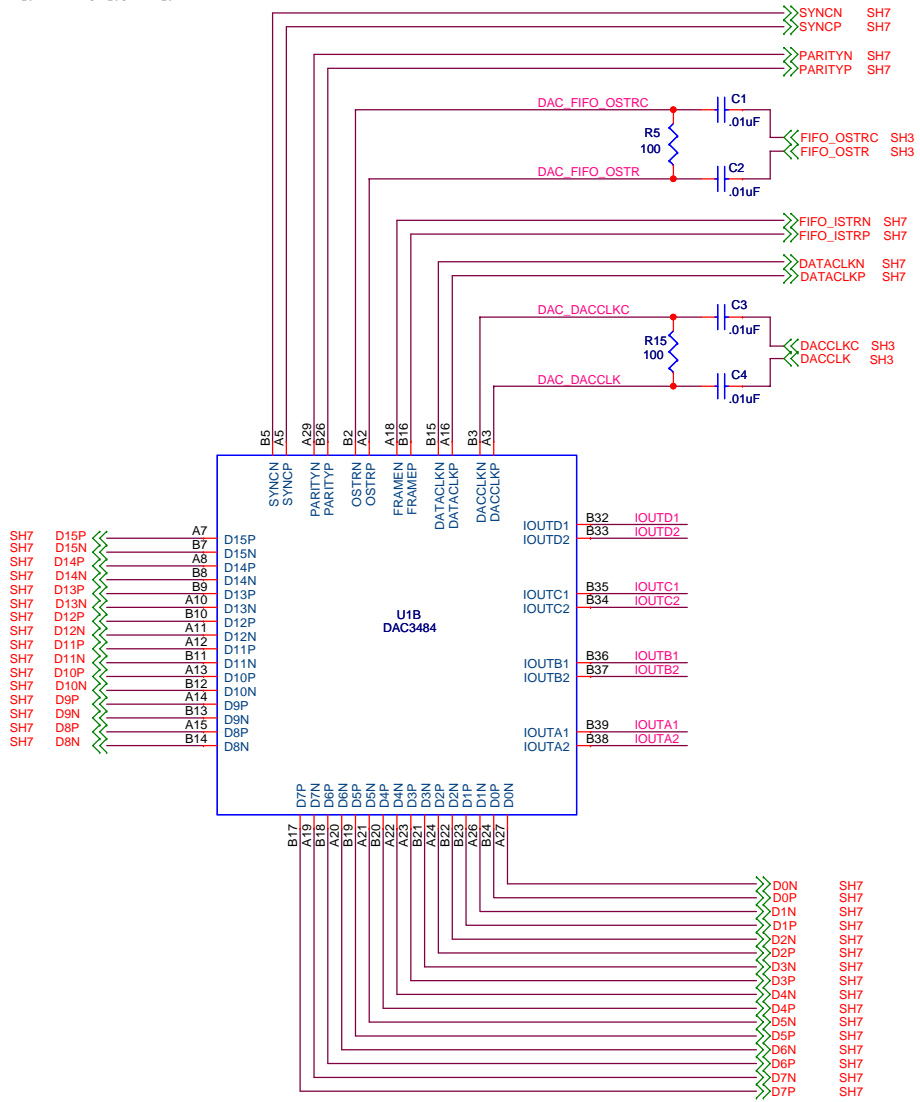
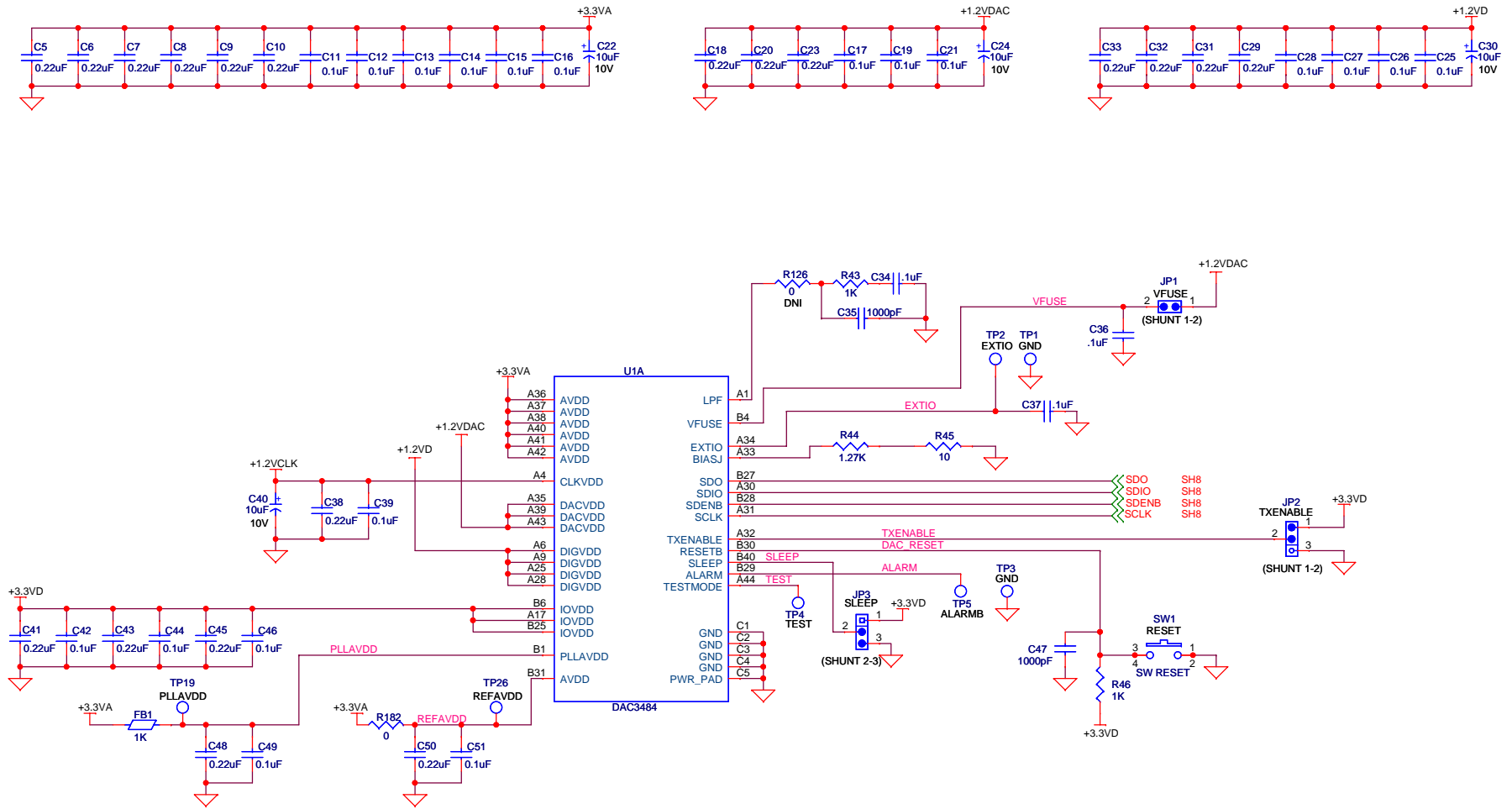


NOTES:

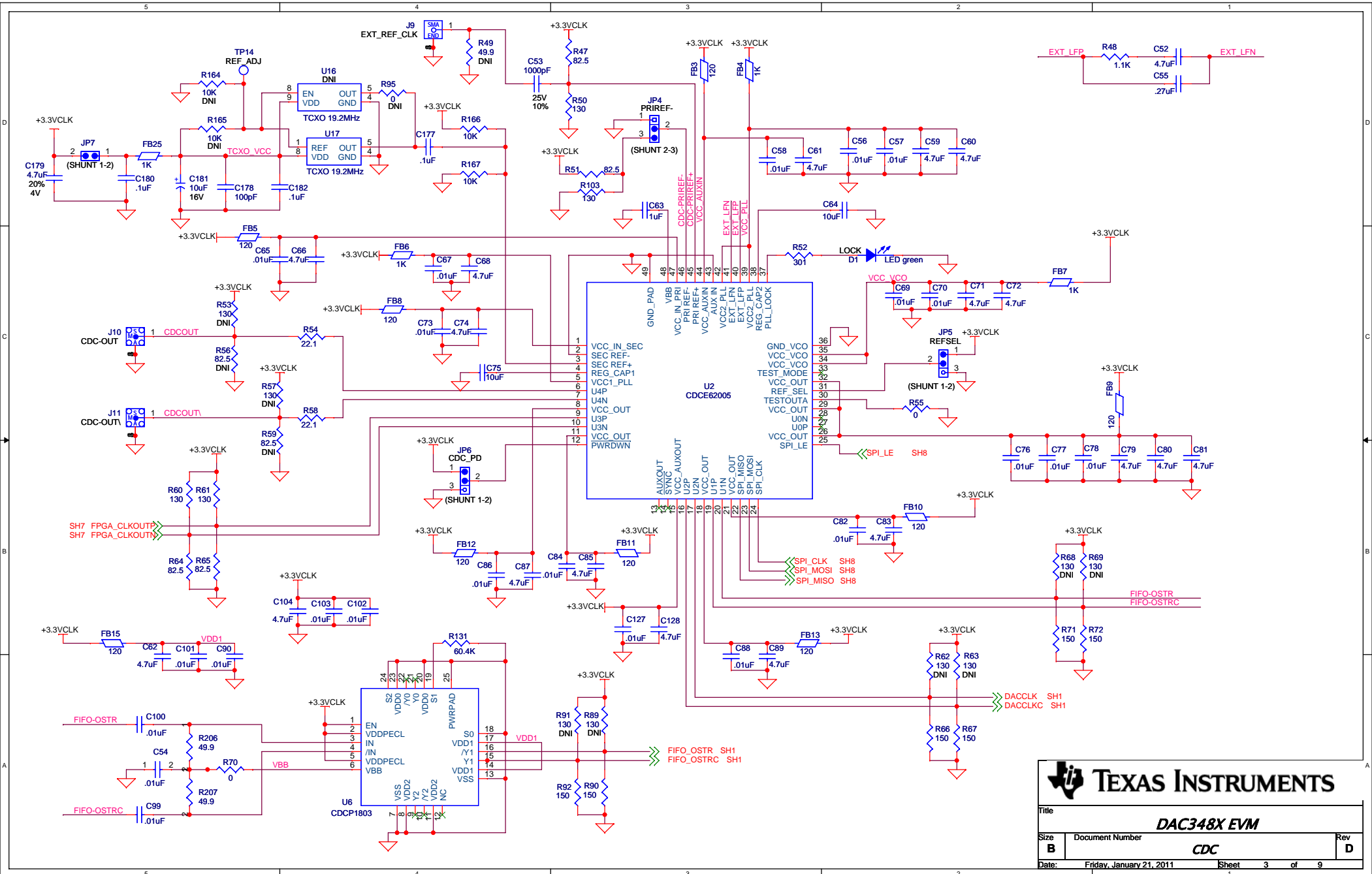
1) DNI = DO NOT INSTALL



Title		DAC348X EVM	
Size	Document Number	Rev	
B	DAC	D	
Drawn:	L. Nguyen	Date:	Friday, January 21, 2011
Engineer:	H. Fraz	Sheet	1 of 9



Title		
DAC3484X EVM		
Size	Document Number	Rev
B	DAC	D
Date:	Friday, January 21, 2011	Sheet 2 of 9

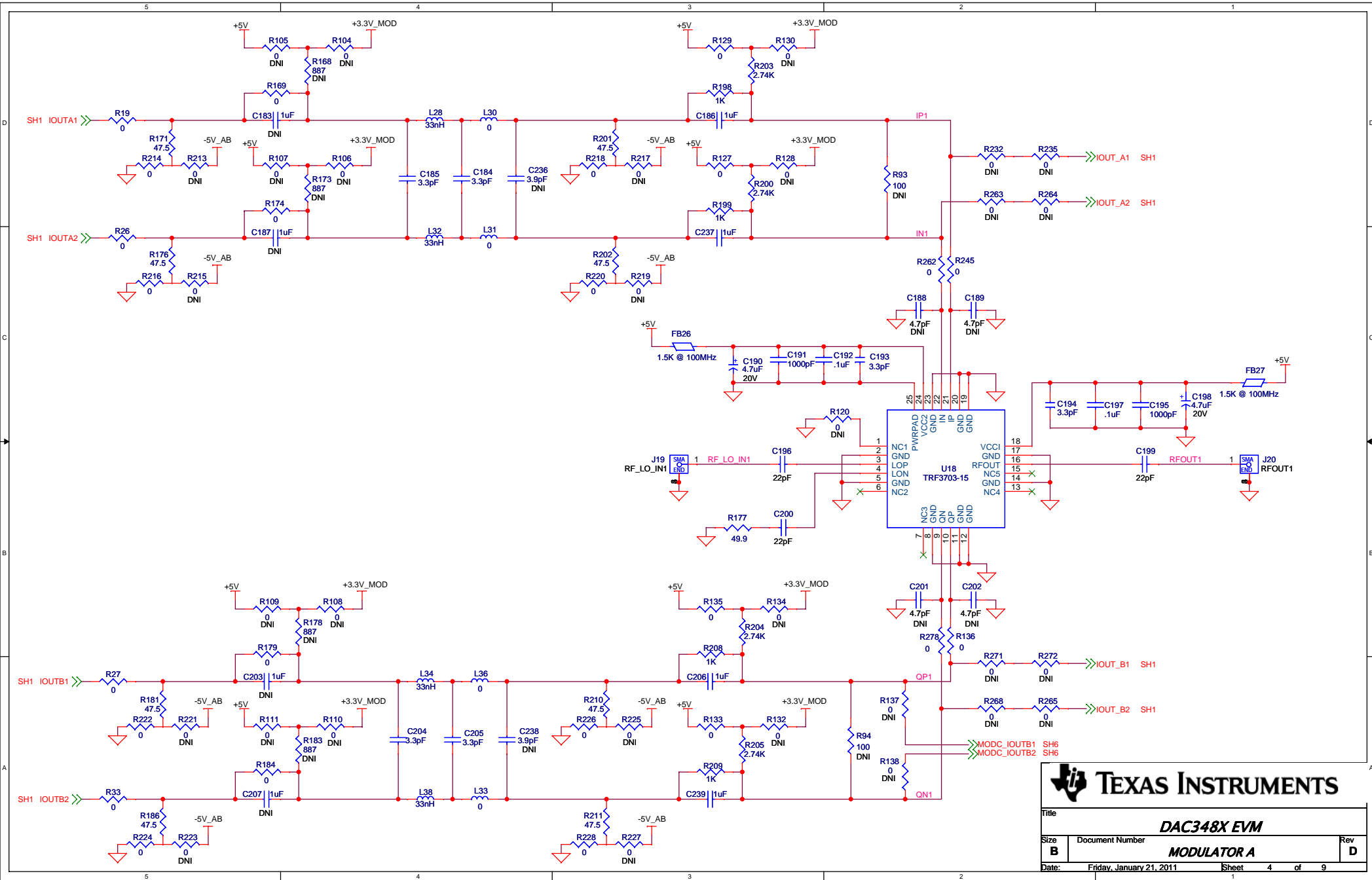


TEXAS INSTRUMENTS

Title: **DAC348X EVM**

Size: **B** Document Number: **CDC** Rev: **D**

Date: Friday, January 21, 2011 Sheet: 3 of 9

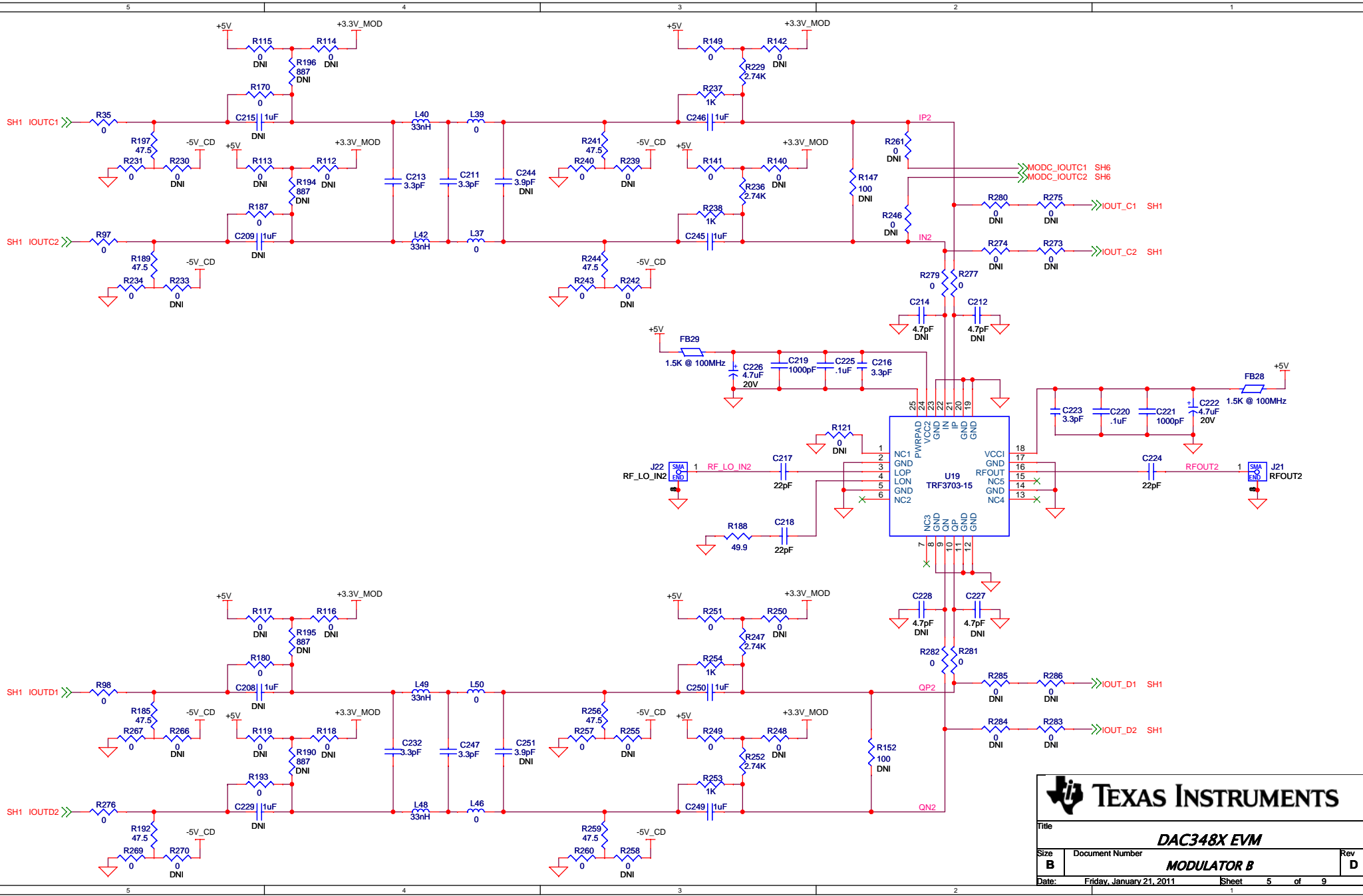



TEXAS INSTRUMENTS

Title: **DAC348X EVM**

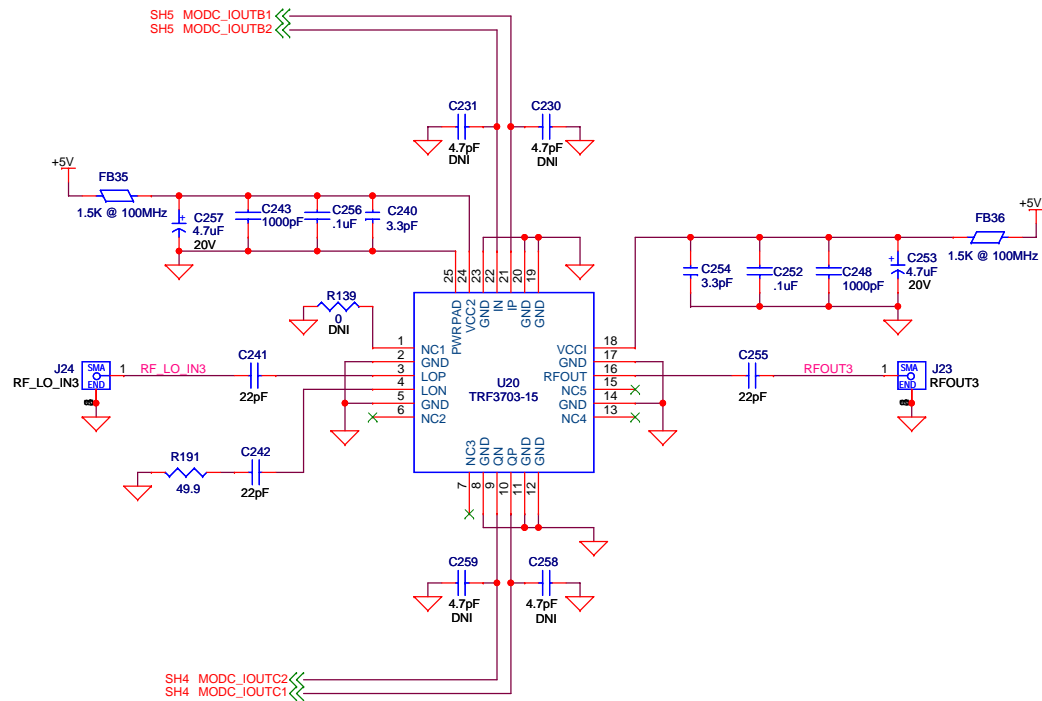
Size: **B** Document Number: **MODULATOR A** Rev: **D**

Date: Friday, January 21, 2011 Sheet 4 of 9



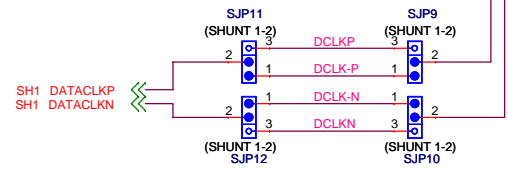
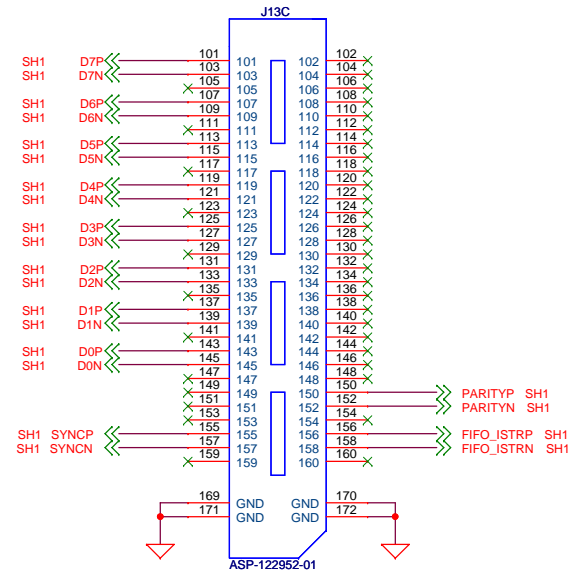
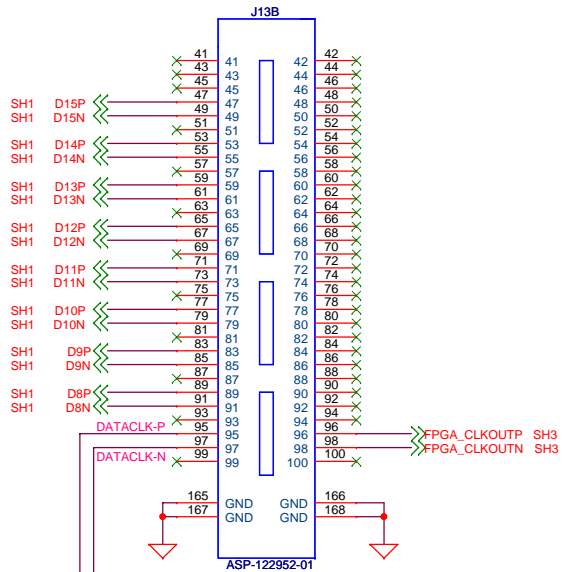
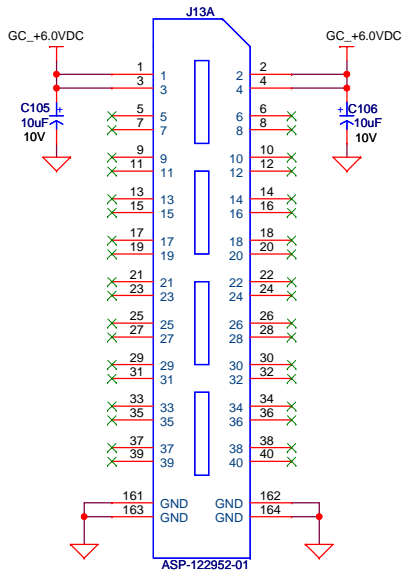

TEXAS INSTRUMENTS

Title		
DAC348X EVM		
Size	Document Number	Rev
B	MODULATOR B	D
Date:	Friday, January 21, 2011	Sheet 5 of 9

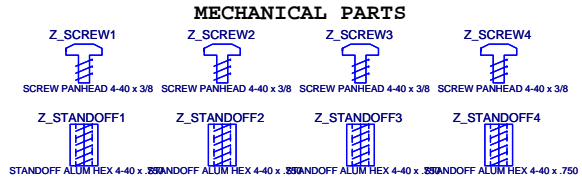


TEXAS INSTRUMENTS

Title		
DAC348X EVM		
Size	Document Number	Rev
B	MODULATOR C	D
Date:	Friday, January 21, 2011	Sheet 6 of 9



***DCLK-P/N are topside traces

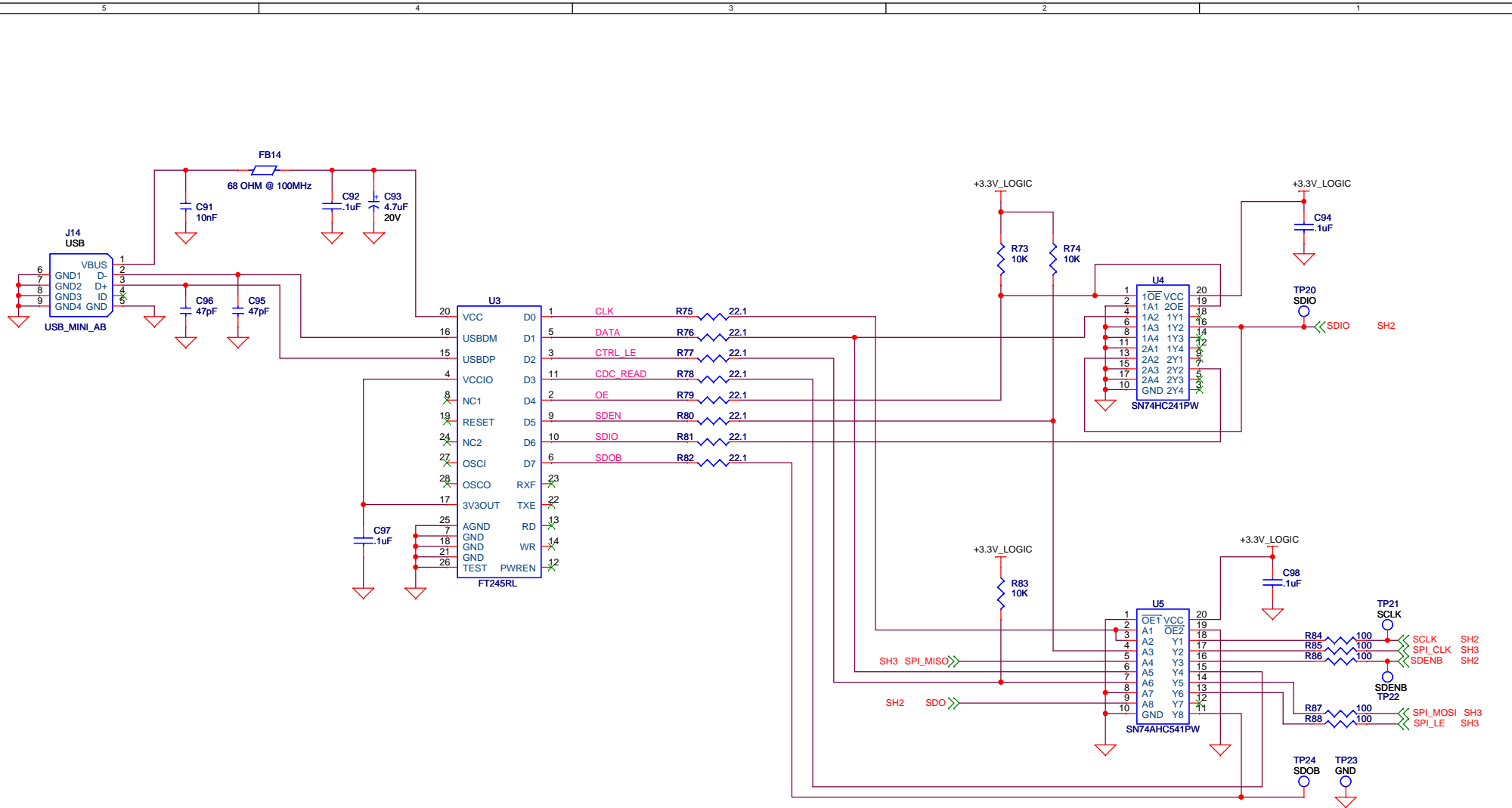


TEXAS INSTRUMENTS

Title: **DAC348X EVM**

Size: **B** Document Number: **INTERFACE** Rev: **D**

Date: **Friday, January 21, 2011** Sheet: **7** of **9**

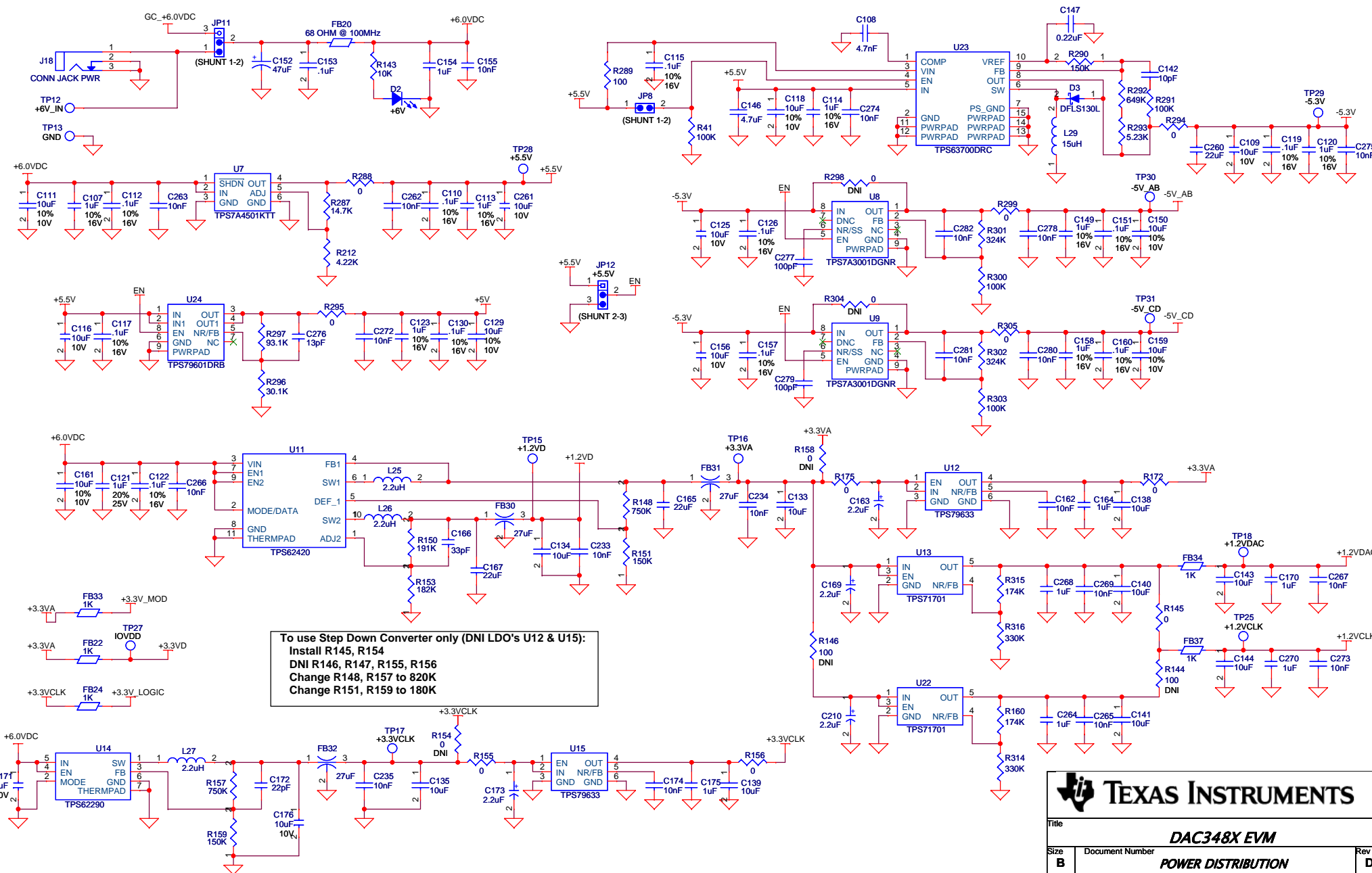


TEXAS INSTRUMENTS

Title: **DAC348X EVM**

Size **B** Document Number: **USB INTERFACE** Rev **D**

Date: Friday, January 21, 2011 Sheet 8 of 9



To use Step Down Converter only (DNI LDO's U12 & U15):
 Install R145, R154
 DNI R146, R147, R155, R156
 Change R148, R157 to 820K
 Change R151, R159 to 180K

TEXAS INSTRUMENTS

Title: **DAC348X EVM**

Size: **B** Document Number: **POWER DISTRIBUTION** Rev: **D**

Date: Friday, January 21, 2011 Sheet: 9 of 9