

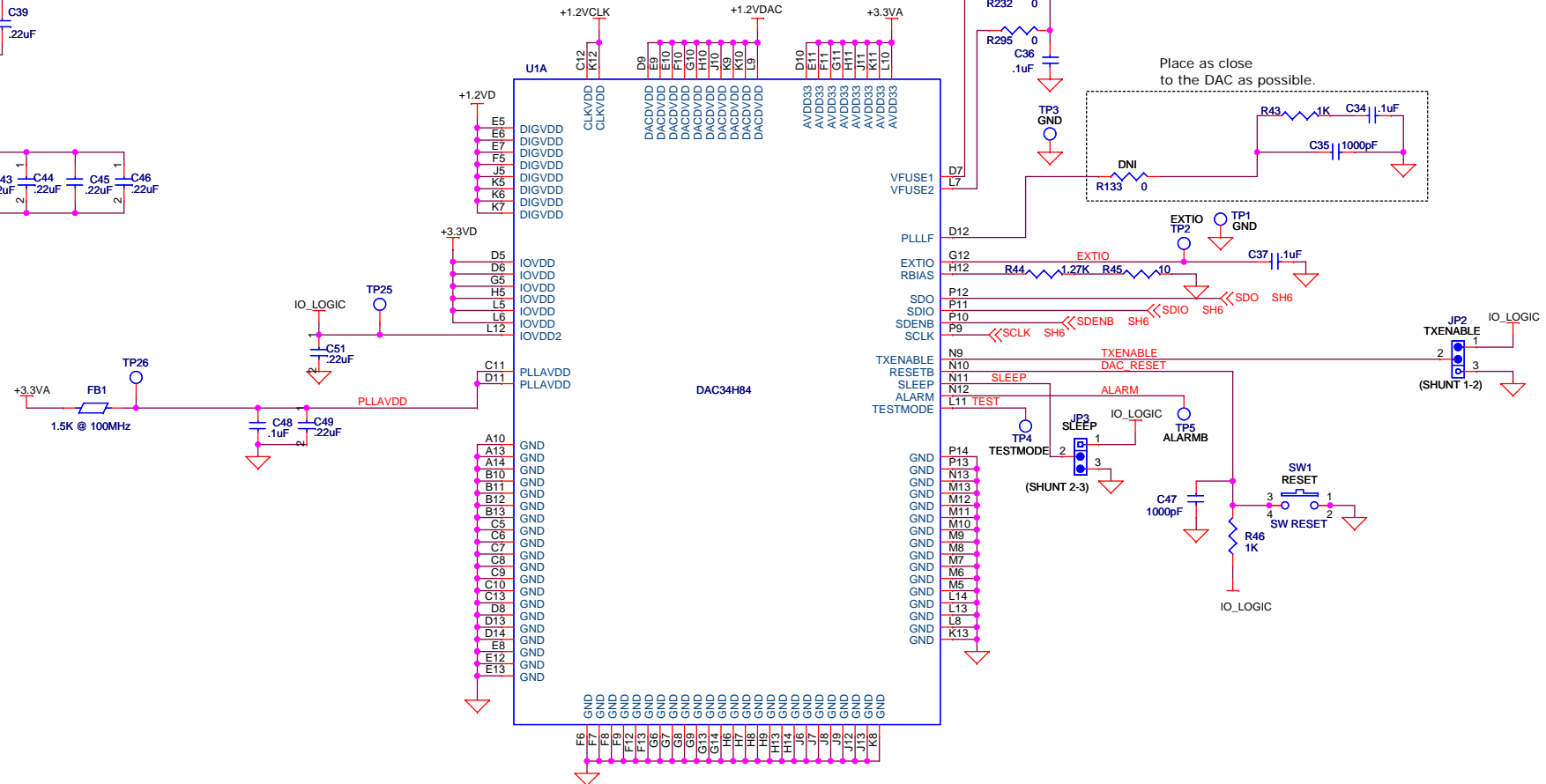
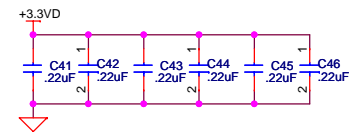
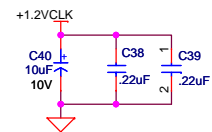
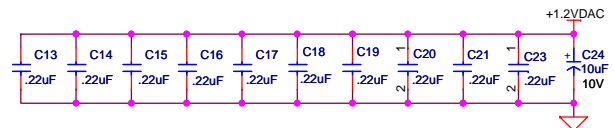
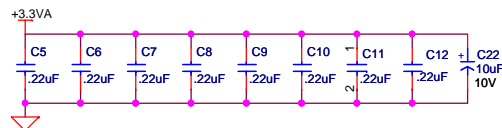
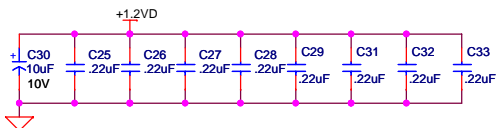
**NOTES:**  
 1) DNI = DO NOT INSTALL

**TEXAS INSTRUMENTS**

Title: **DAC34H8X EVB**

Size: **B** Document Number: **DAC** Rev: **C**

Engineer: **K. Hsia** Date: **Thursday, July 21, 2011** Sheet: **1** of **7**

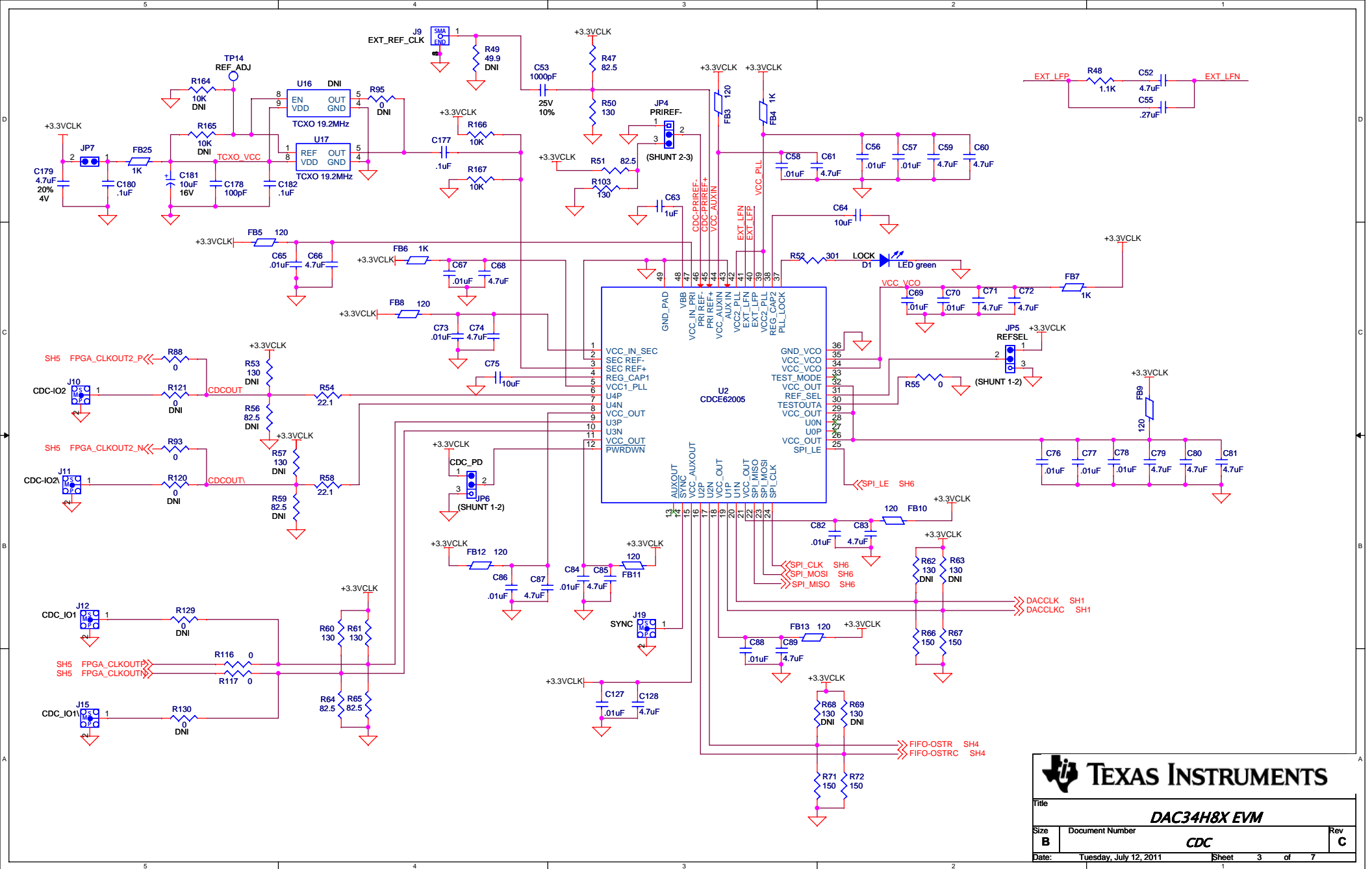


**TEXAS INSTRUMENTS**

Title: **DAC34H8X EVM**

Size **B** Document Number **DAC** Rev **C**

Date: Tuesday, July 12, 2011 Sheet 2 of 7

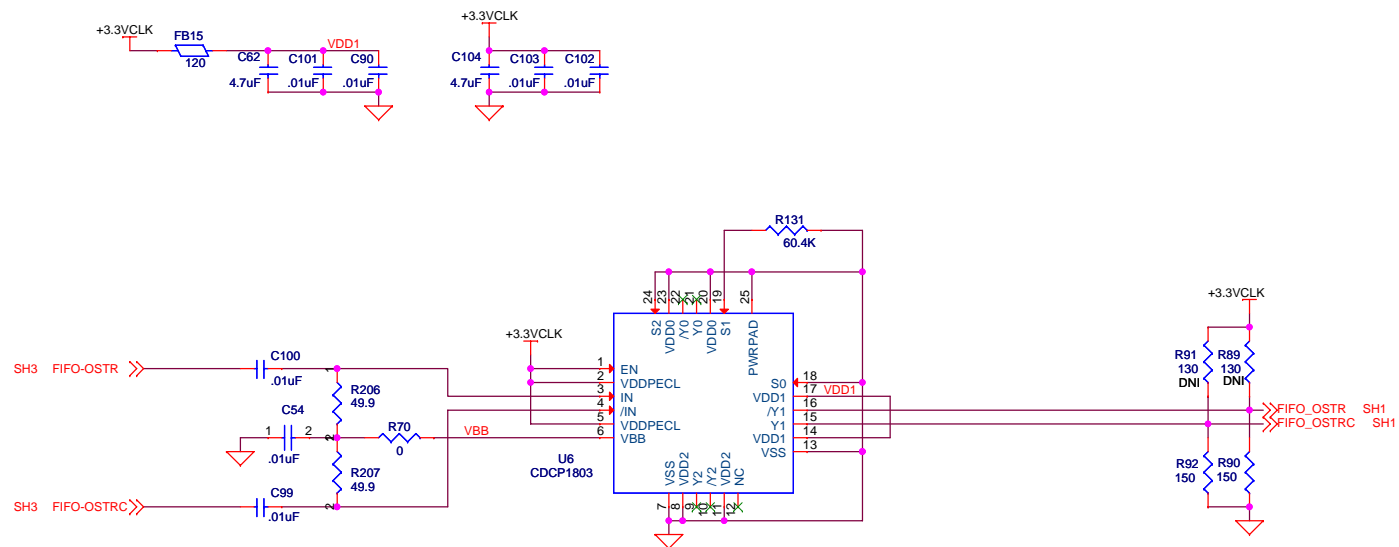


**TEXAS INSTRUMENTS**

Title: **DAC34H8X EVM**

Size: **B** Document Number: **CDC** Rev: **C**

Date: **Tuesday, July 12, 2011** Sheet: **3** of **7**

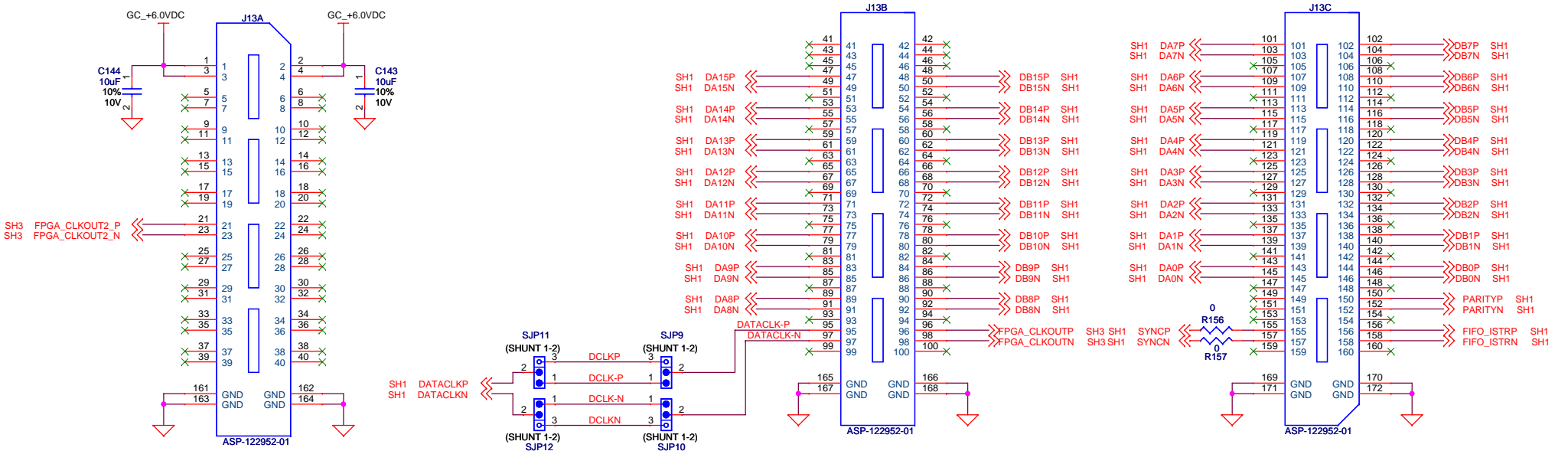


**TEXAS INSTRUMENTS**

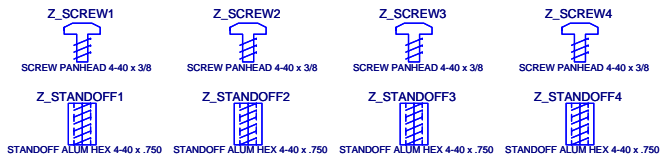
Title: **DAC34H8X EVM**

Size: **B** Document Number: **CDC** Rev: **C**

Date: **Tuesday, July 12, 2011** Sheet **4** of **7**



\*\*\*DCLK-P/N are topside traces

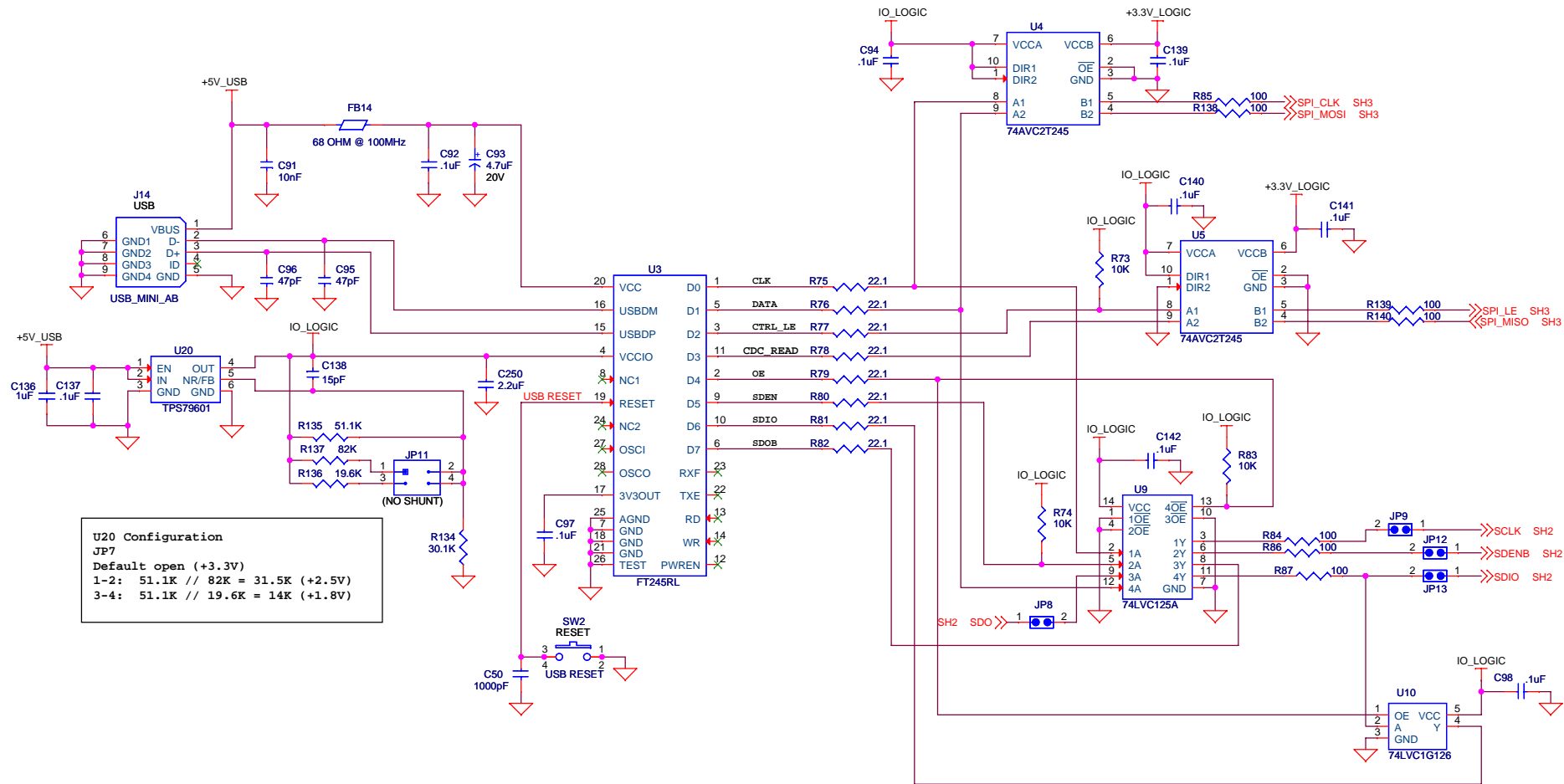


**TEXAS INSTRUMENTS**

Title: **DAC34H8X EVM**

Size: **B** Document Number: **INTERFACE** Rev: **C**

Date: Tuesday, July 12, 2011 Sheet 5 of 7



**U20 Configuration**  
 JP7  
 Default open (+3.3V)  
 1-2: 51.1K // 82K = 31.5K (+2.5V)  
 3-4: 51.1K // 19.6K = 14K (+1.8V)

74AVC2T245

$\overline{OE}$	DIR	OPERATION
L	L	B -> A
L	H	A -> B
H	X	ISOLATION

74LVC125A

$\overline{OE}$	A	Y
L	H	H
L	L	L
H	X	Z

74LVC1G126

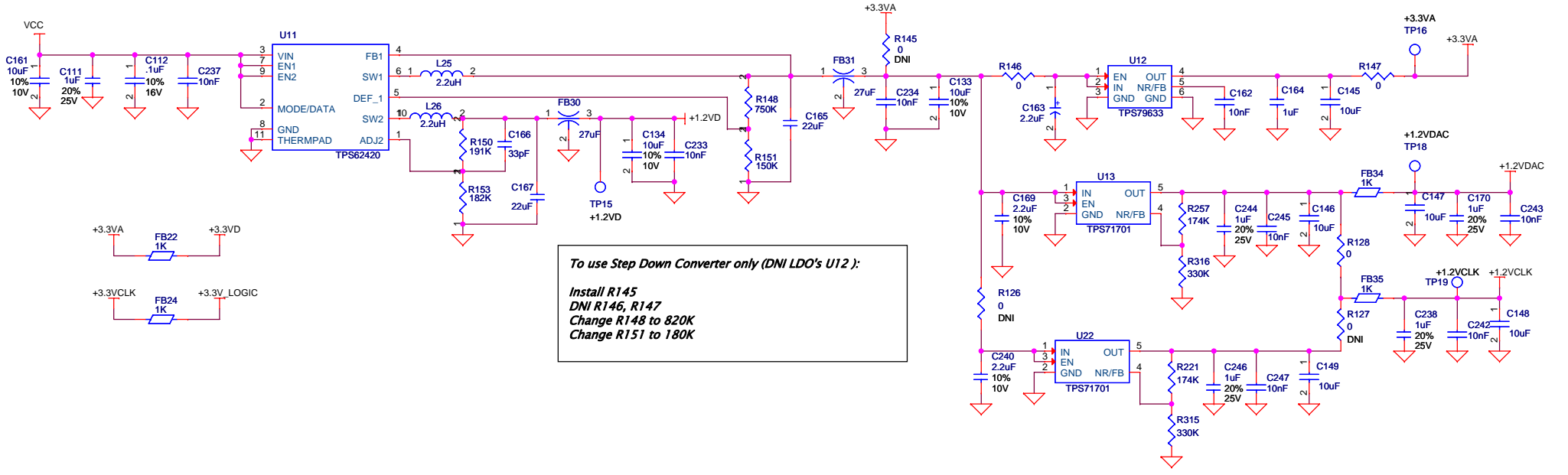
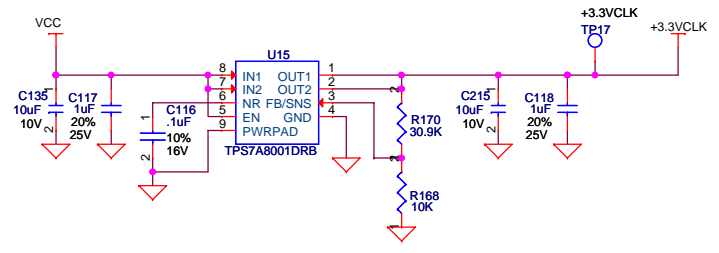
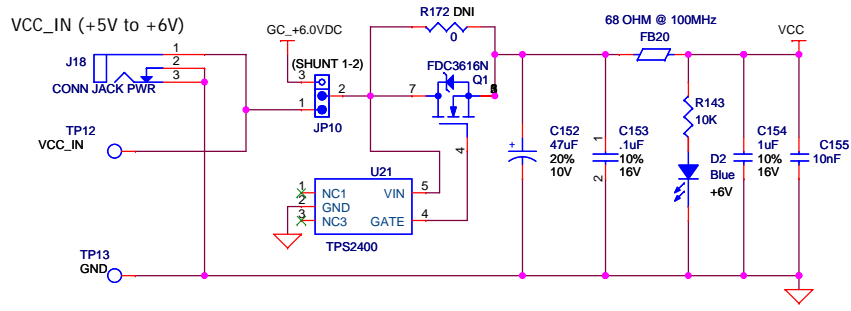
OE	A	Y
H	H	H
H	L	L
L	X	Z

**TEXAS INSTRUMENTS**

Title: **DAC34H8X EVM**

Size: **B** Document Number: **USB** Rev: **C**

Date: Tuesday, July 12, 2011 Sheet 6 of 7



*To use Step Down Converter only (DNI LDO's U12):*

**Install R145**  
**DNI R146, R147**  
**Change R148 to 820K**  
**Change R151 to 180K**

**TEXAS INSTRUMENTS**

Title: **DAC34H8X EVM**

Size **B** Document Number **DAC** Rev **C**

Date: Tuesday, July 12, 2011 Sheet 7 of 7