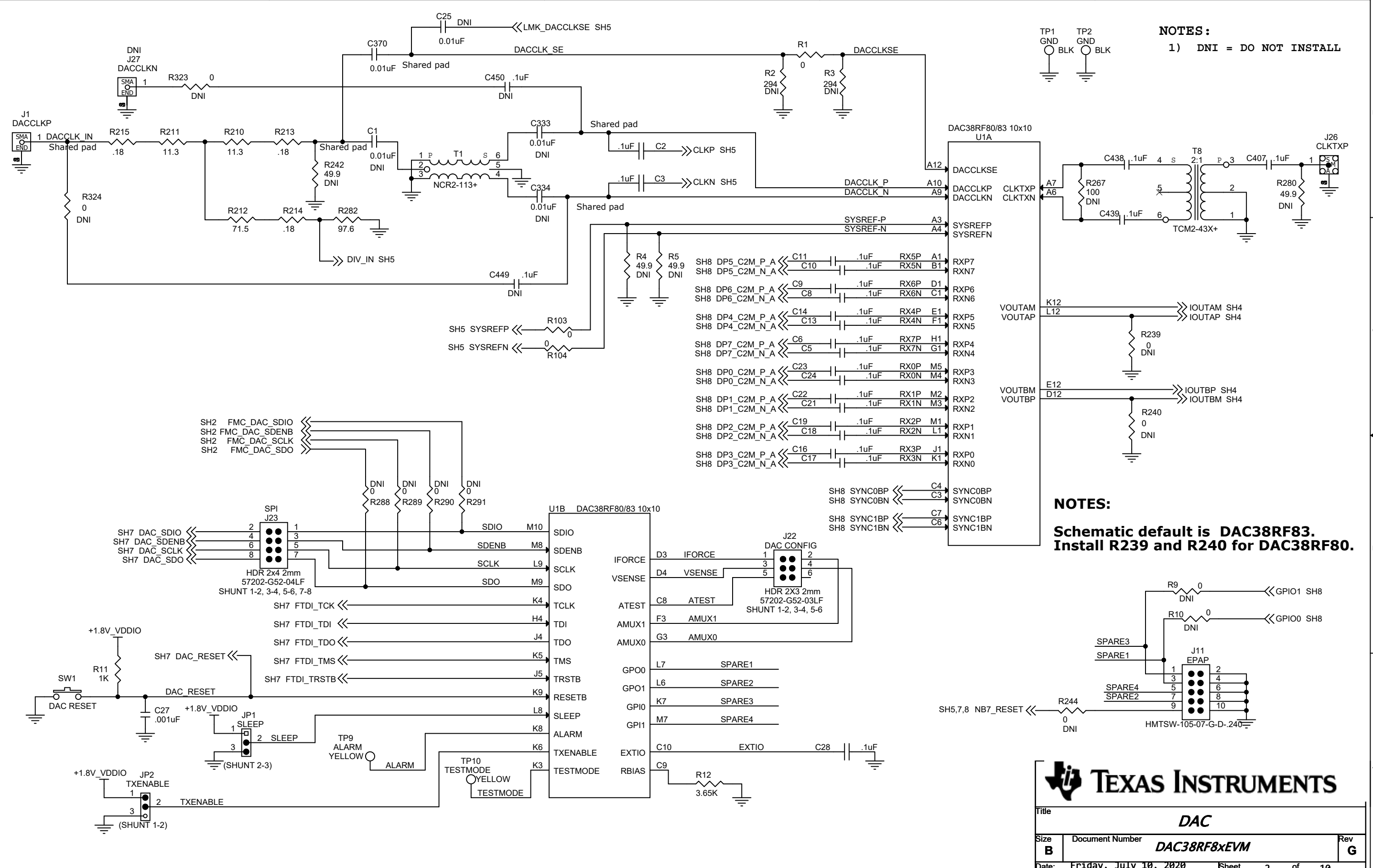
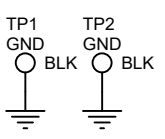


Title		COVER	
Size	Document Number	Rev	
B	DAC38RF8xEVM	G	
Date:	Friday, July 10, 2020	Sheet	1 of 10

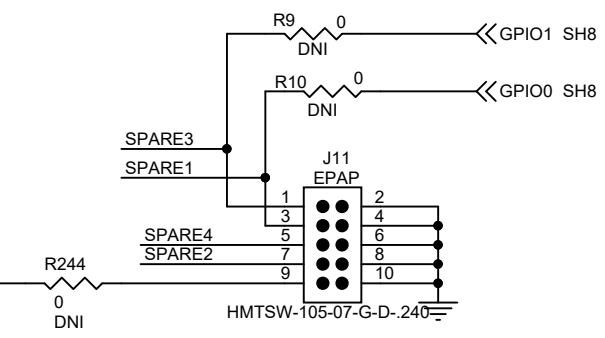
Drawn:	L NGUYEN	02/2016
Engineer:	E DWOBENG	02/2016



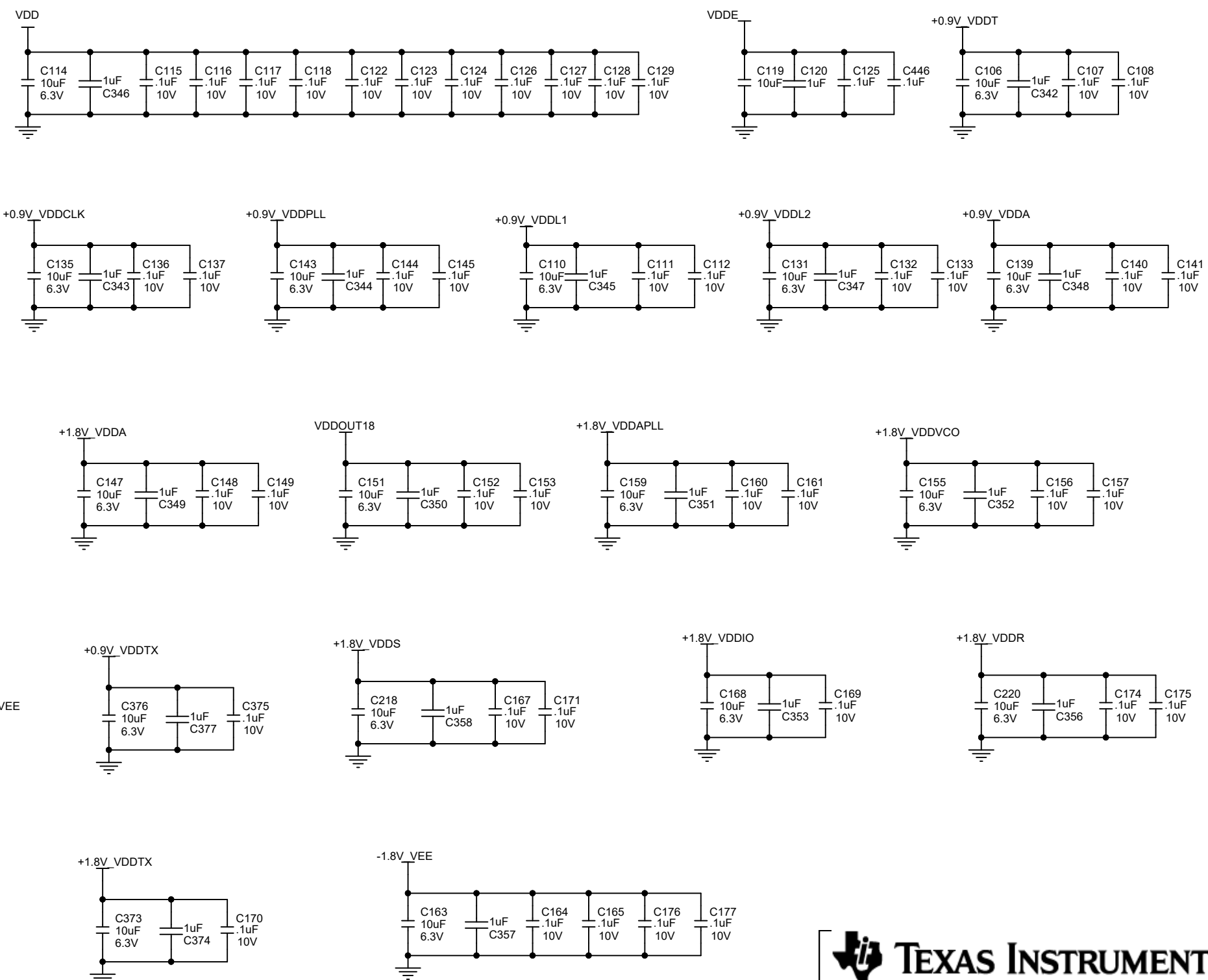
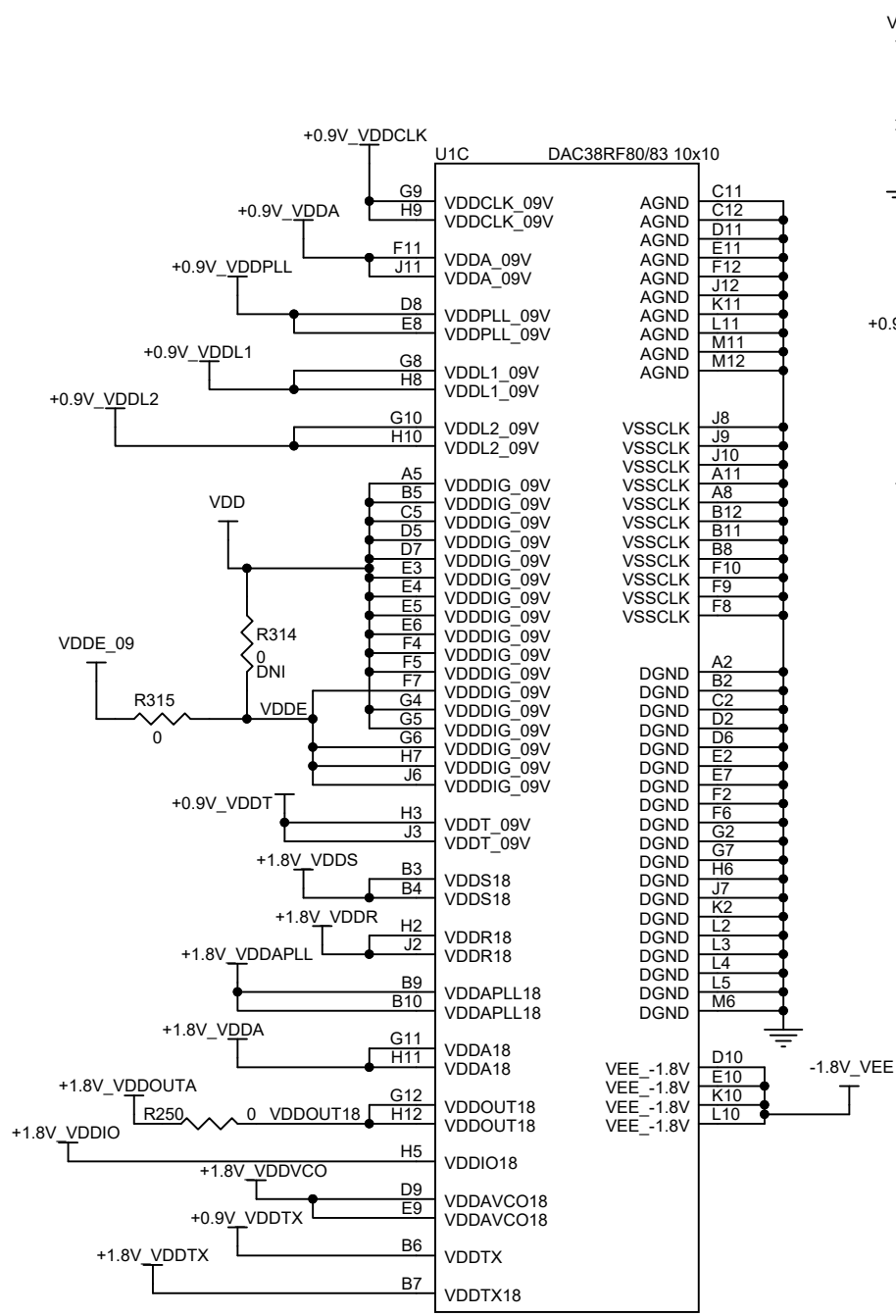
NOTES:
 1) DNI = DO NOT INSTALL



NOTES:
 Schematic default is DAC38RF83.
 Install R239 and R240 for DAC38RF80.

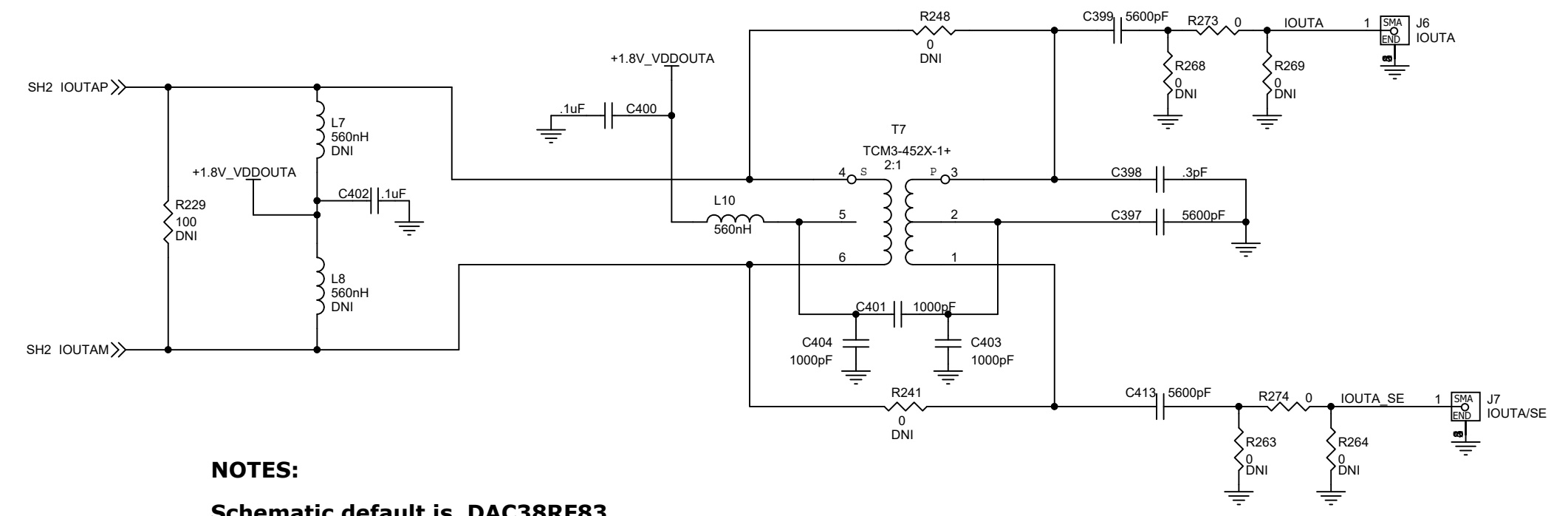
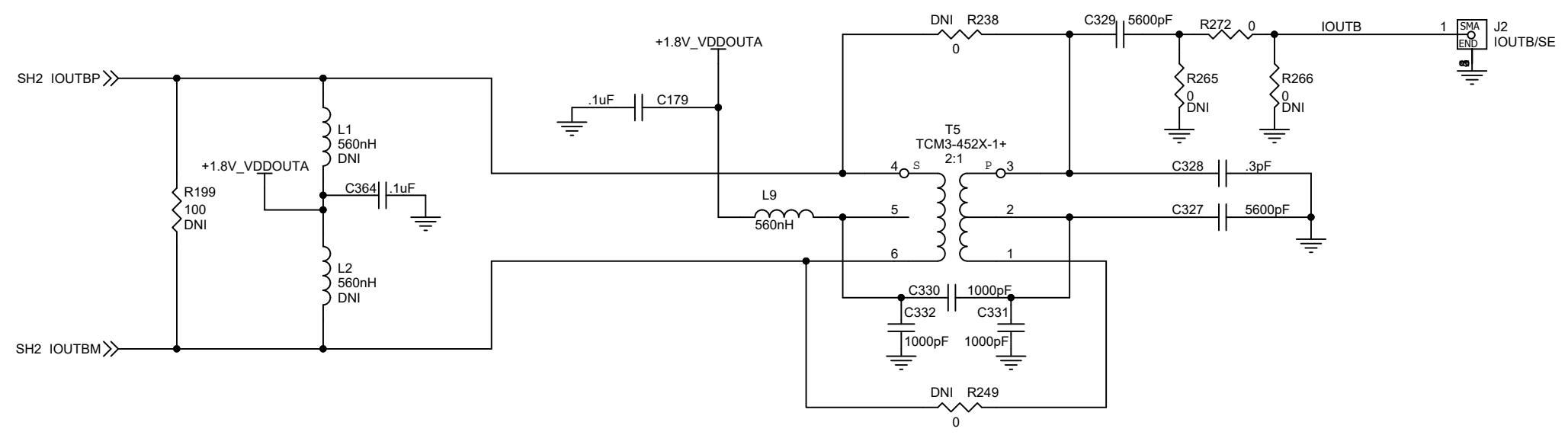


Title			DAC		
Size	Document Number	Rev			
B	DAC38RF8xEVM	G			
Date:	Friday, July 10, 2020	Sheet	2	of	10



TEXAS INSTRUMENTS

Title		
DAC POWER		
Size	Document Number	Rev
B	DAC38RF8xEVM	G
Date:	Friday, July 10, 2020	Sheet 3 of 10




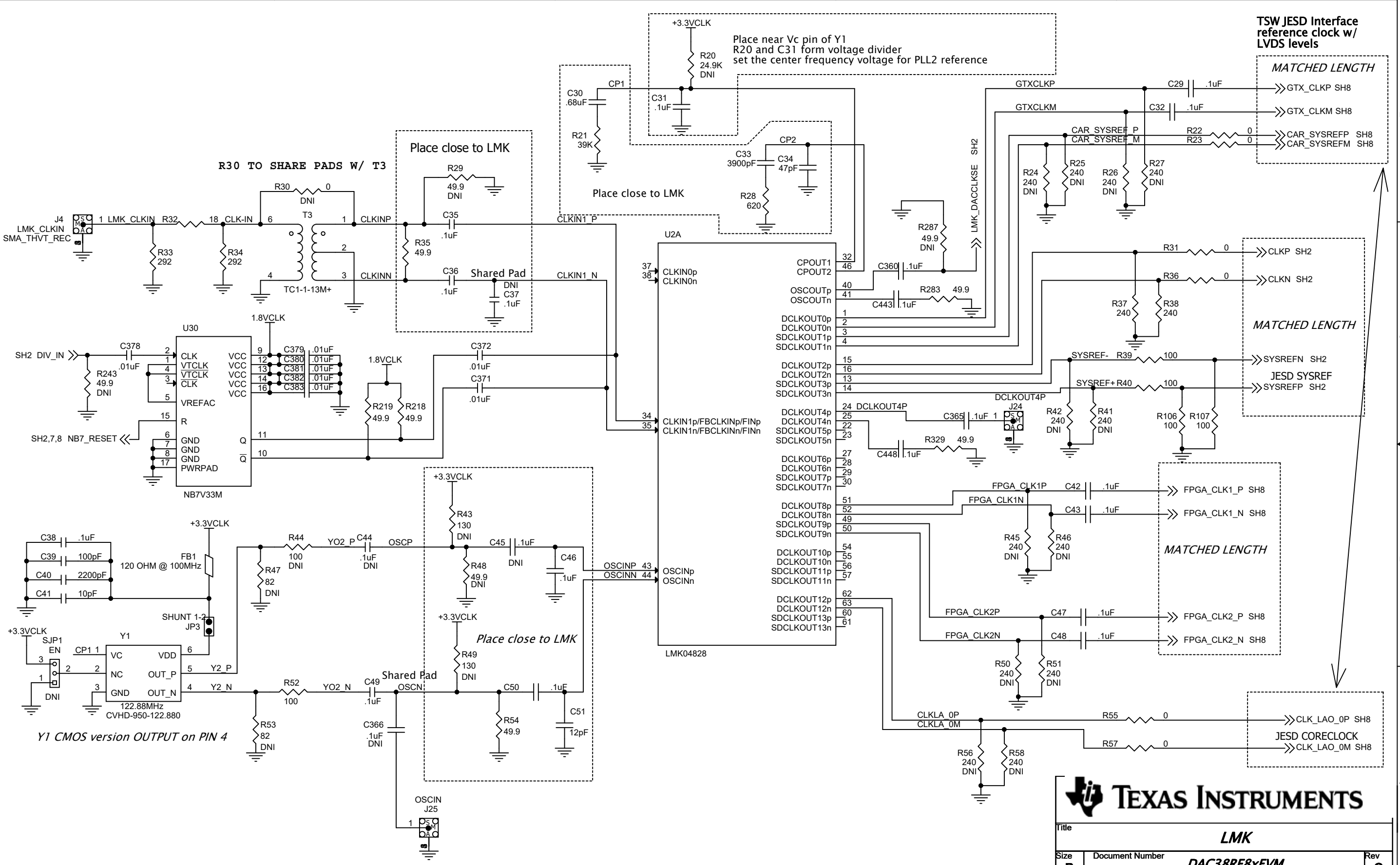
NOTES:

Schematic default is DAC38RF83.

For DAC38RF80:

Install R238, R241
DNI C179, C400, L9, L10, T5, T7, C330, C331, C332,
C401, C403, C404, C328, C327, C399, R273,
C398, C397, J6

 TEXAS INSTRUMENTS		
Title DAC OUTPUT		
Size B	Document Number DAC38RF8xEVM	Rev G
Date: Friday, July 10, 2020 Sheet 4 of 10		



TSW JESD Interface reference clock w/ LVDS levels

MATCHED LENGTH

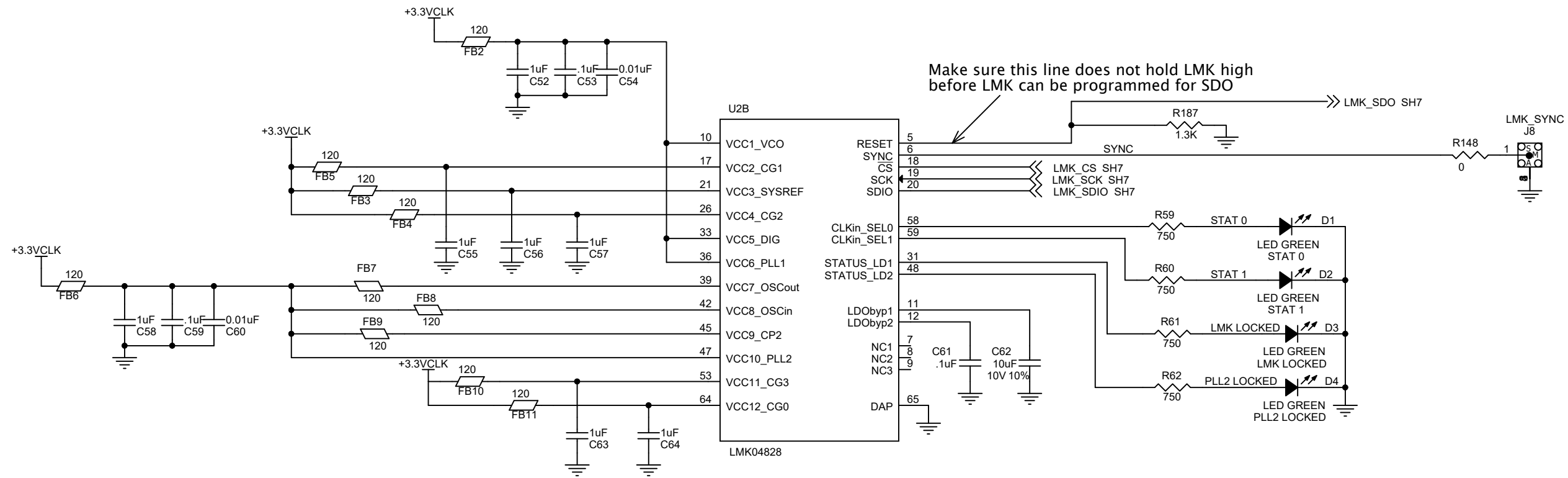
MATCHED LENGTH

MATCHED LENGTH

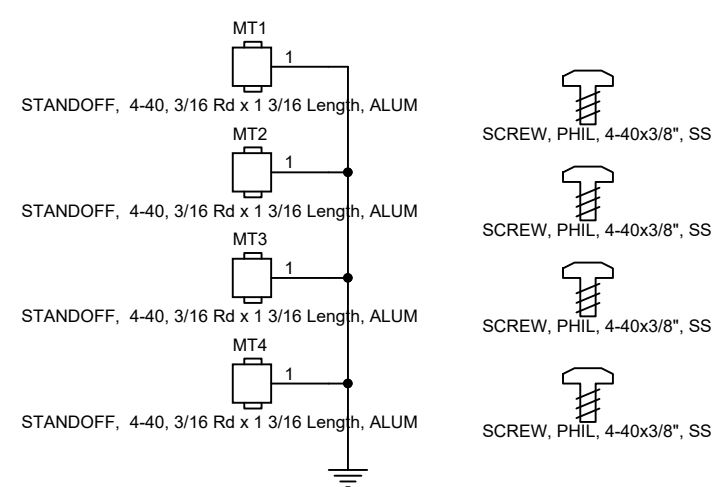
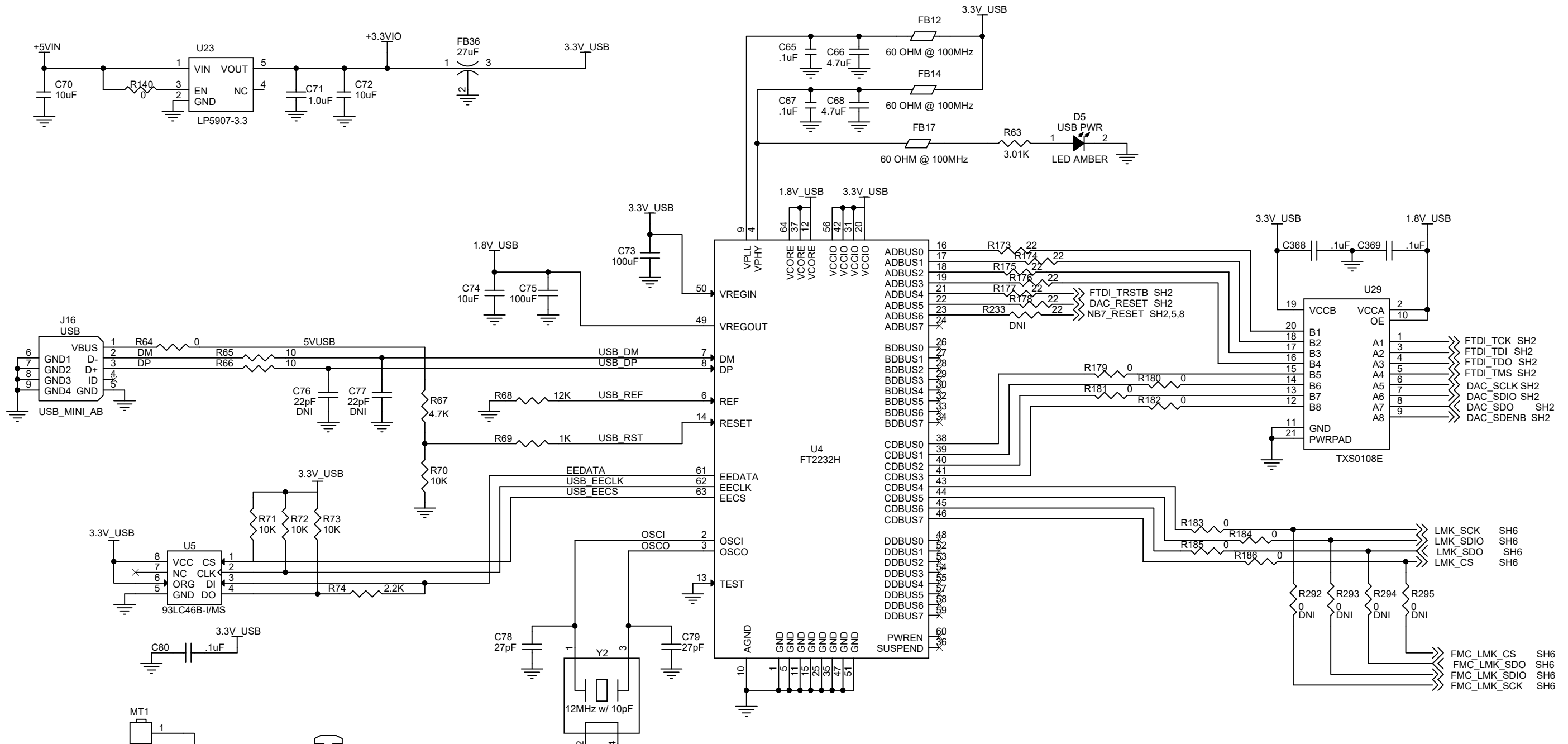
CLK_LAO_0P SH8
JESD CORECLOCK
CLK_LAO_0M SH8



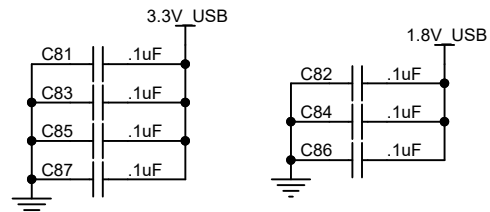
Title LMK		
Size B	Document Number DAC38RF8xEVM	Rev G
Date: Friday, July 10, 2020 Sheet 5 of 10		



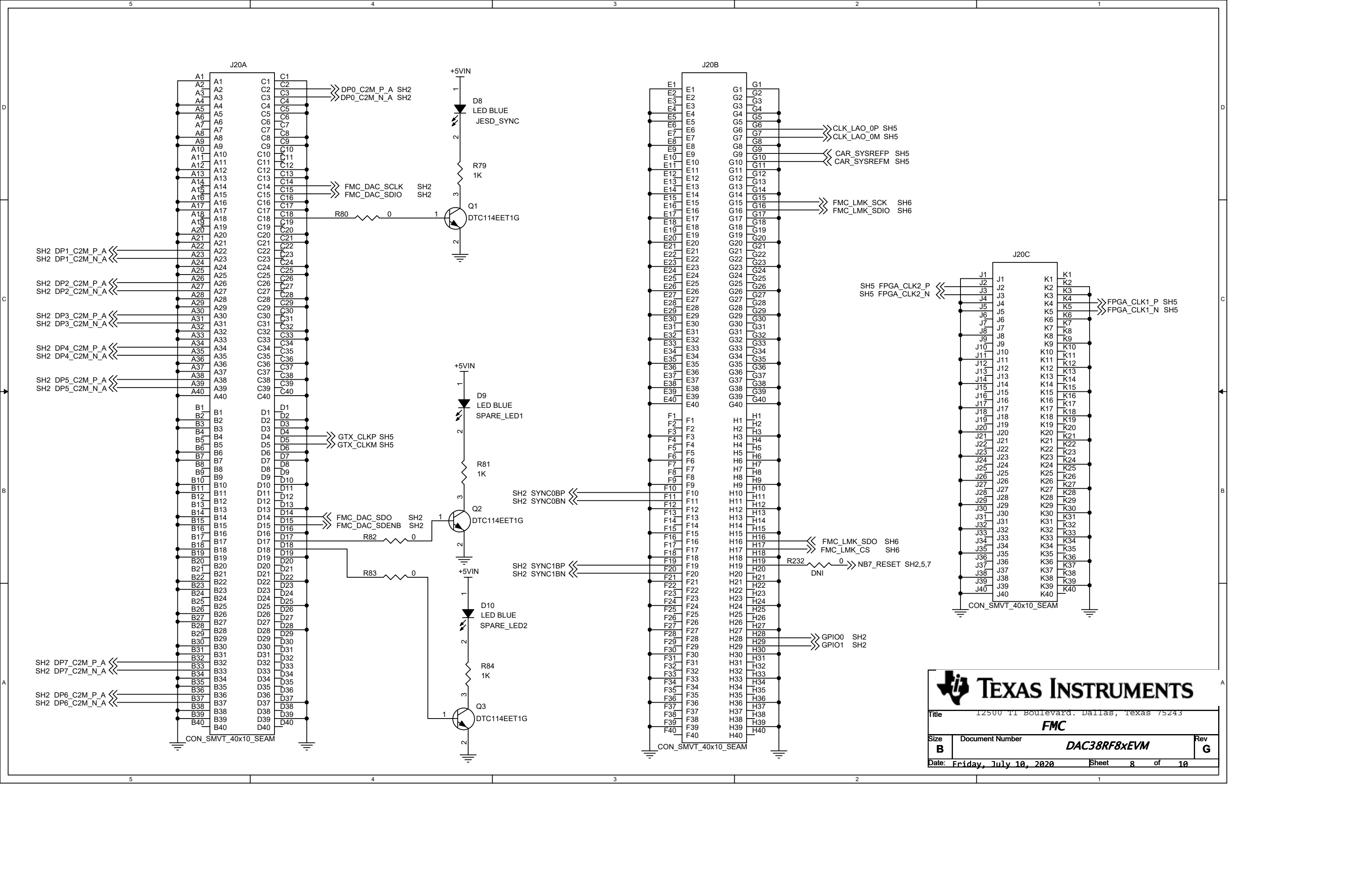
Title			LMK		
Size	Document Number			Rev	
B	DAC38RF8xEVM			G	
Date:	Friday, July 10, 2020	Sheet	6	of	10



PCB, DAC38RF8x rev F



Title			USB INTERFACE
Size	Document Number	Rev	
B	DAC38RF8xEVM	G	
Date:	Friday, July 10, 2020	Sheet	7 of 10



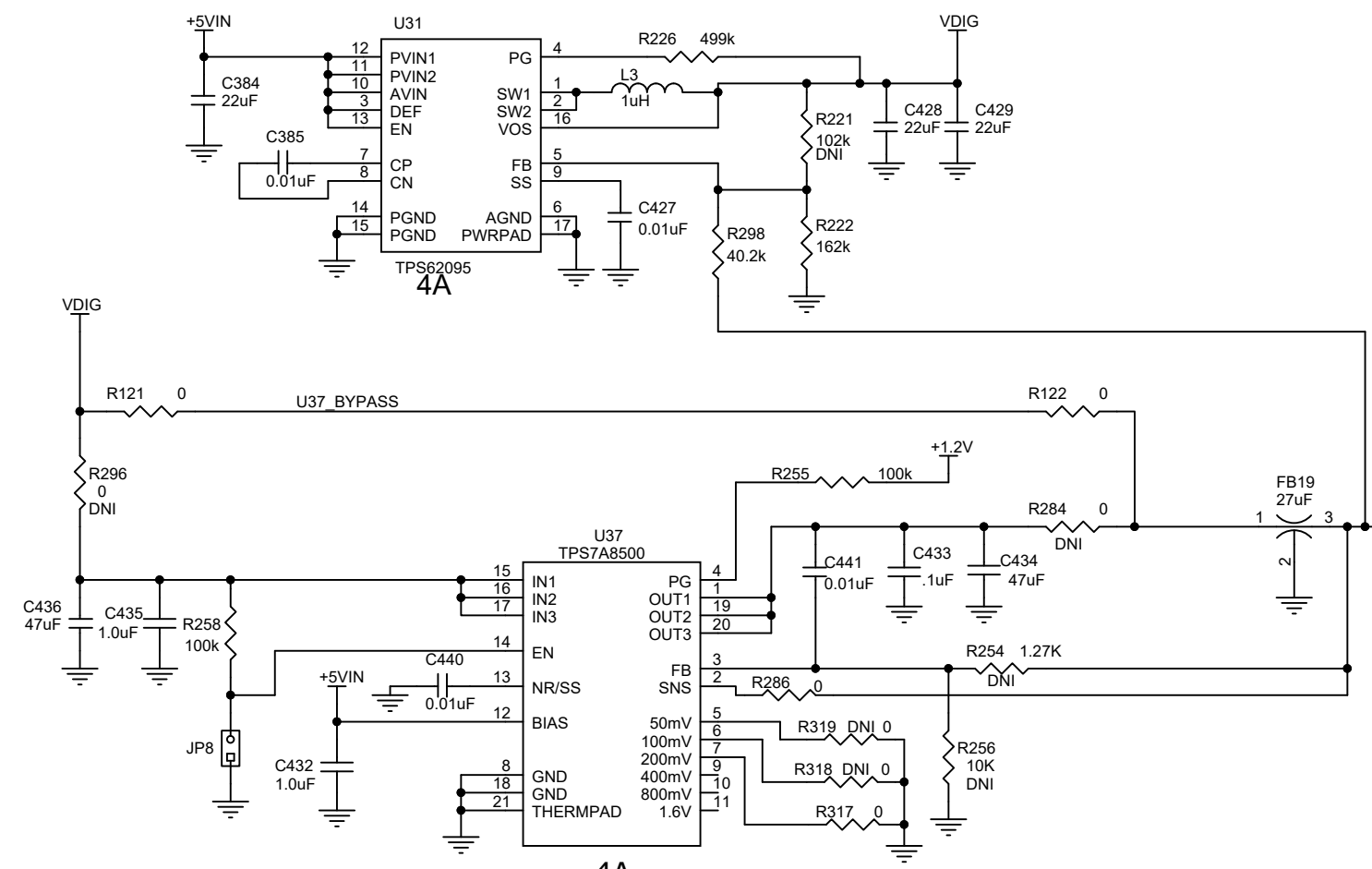
TEXAS INSTRUMENTS

Title: 12500 TI Boulevard, Dallas, Texas 75243

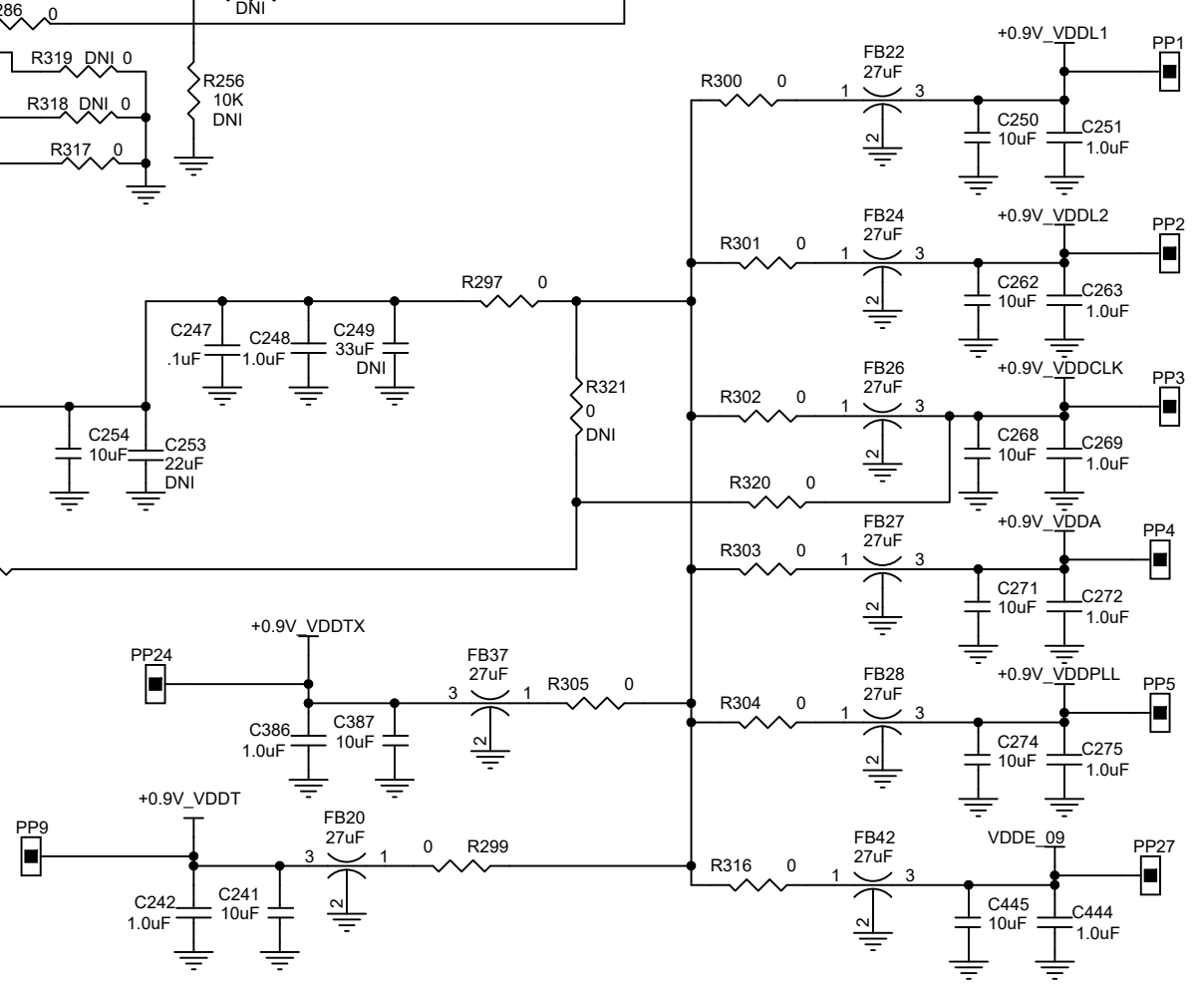
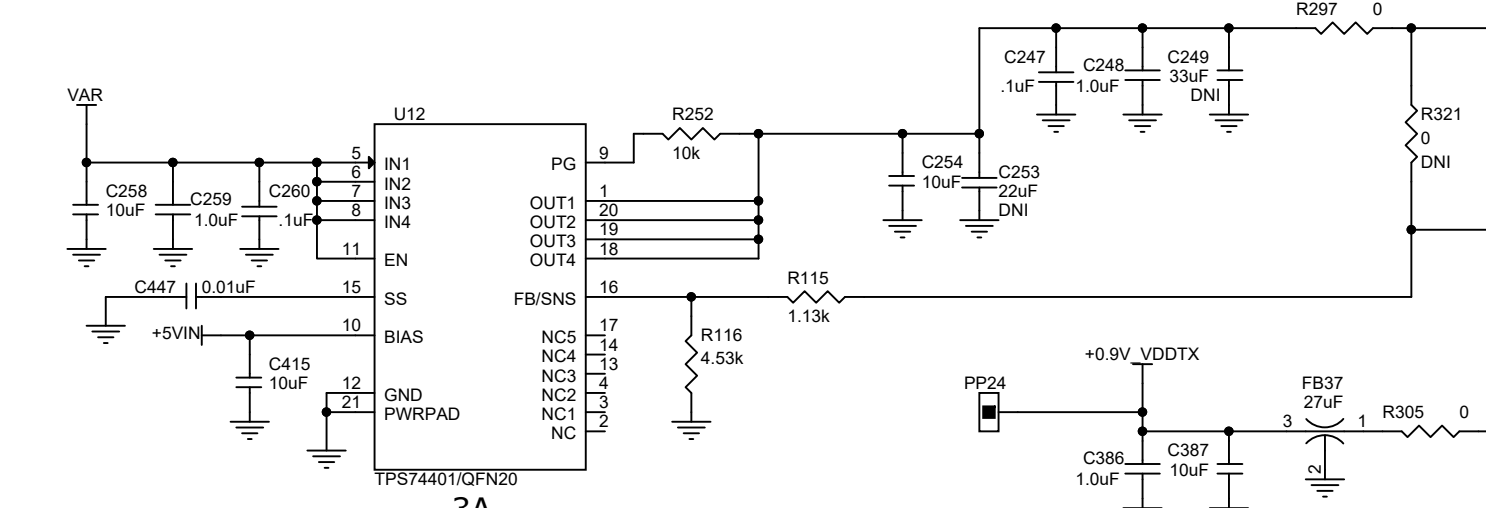
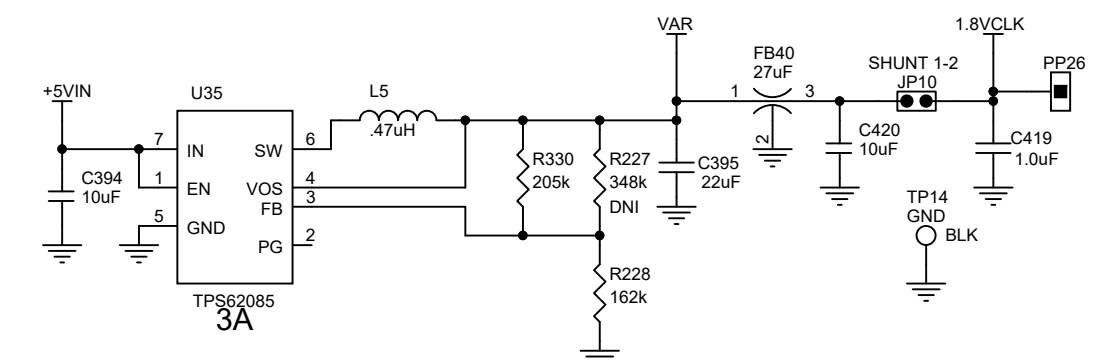
FMC

Size B	Document Number DAC38RF8xEVM	Rev G
------------------	----------------------------------------	-----------------

Date: Friday, July 10, 2020 Sheet 8 of 10



NOTES:
 To bypass LDO U37: Install R298, R121, R122
 DNI R221, R296, R284
 To use LDO U34 (U35 output = 2.5V): DNI R330
 Install R227

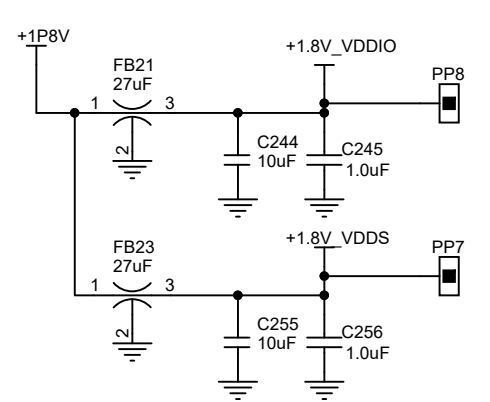
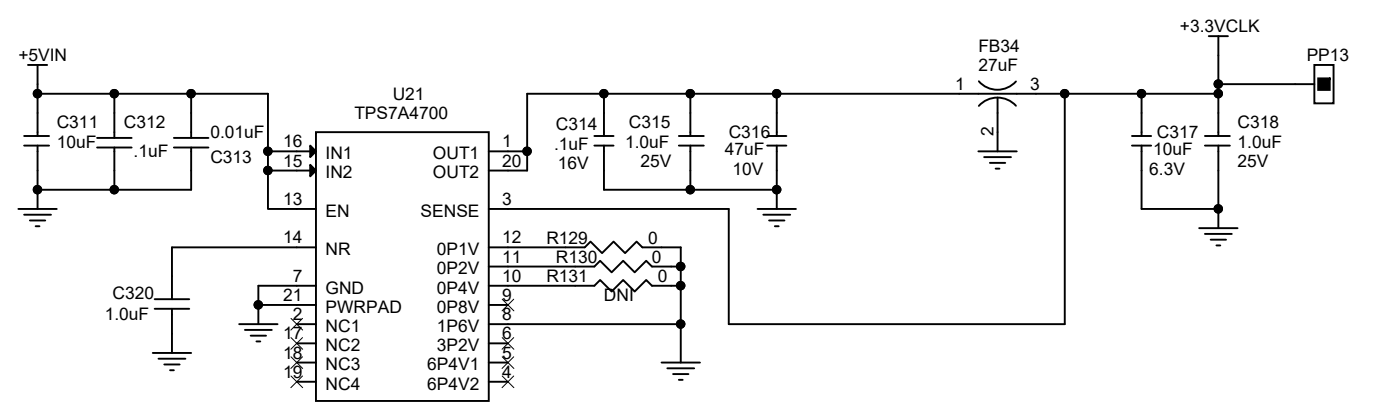
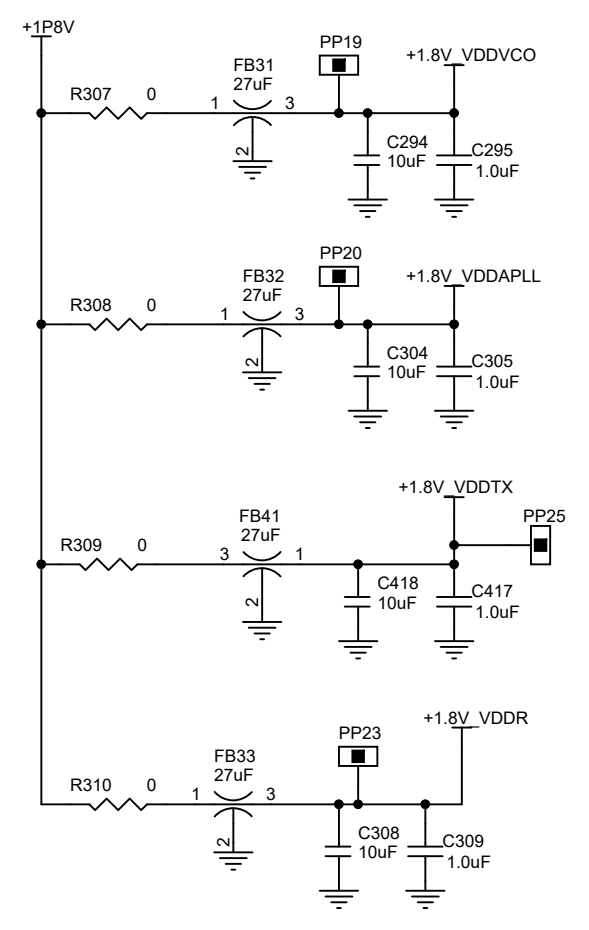
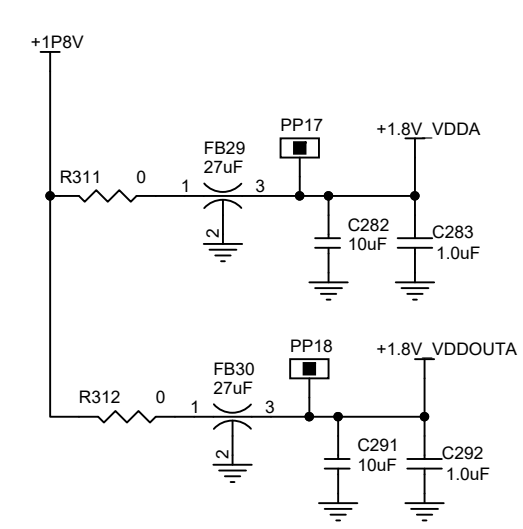
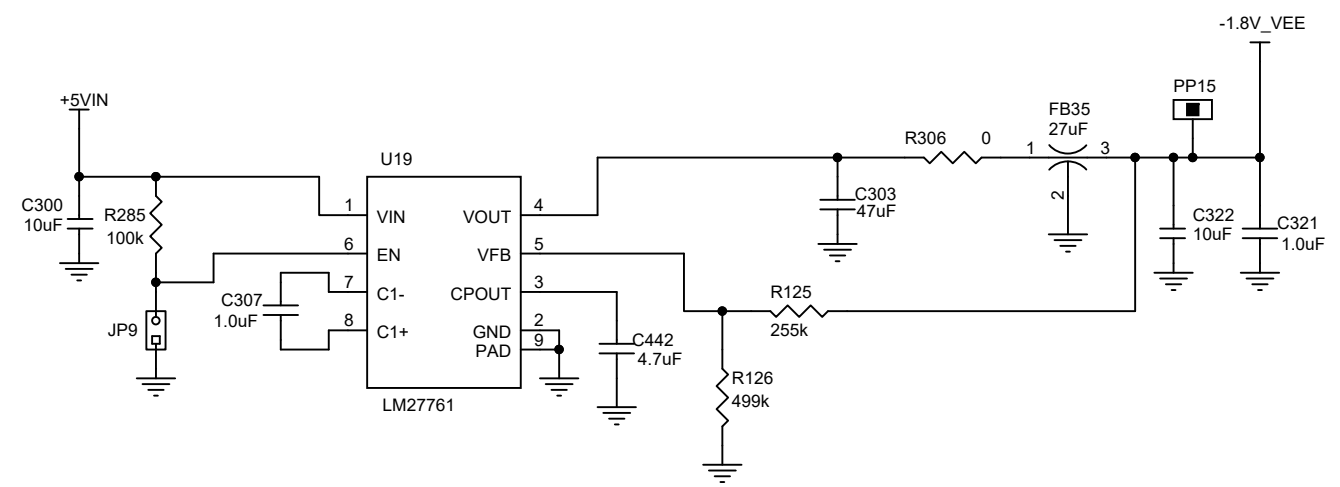
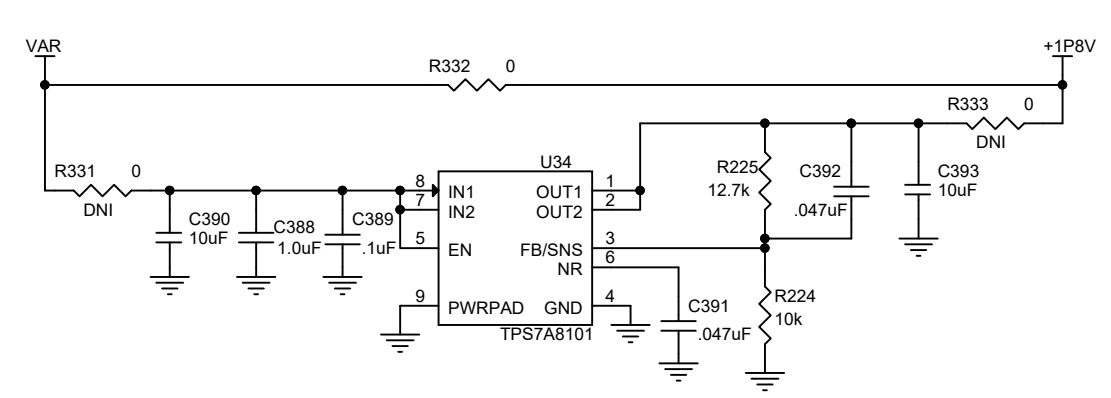
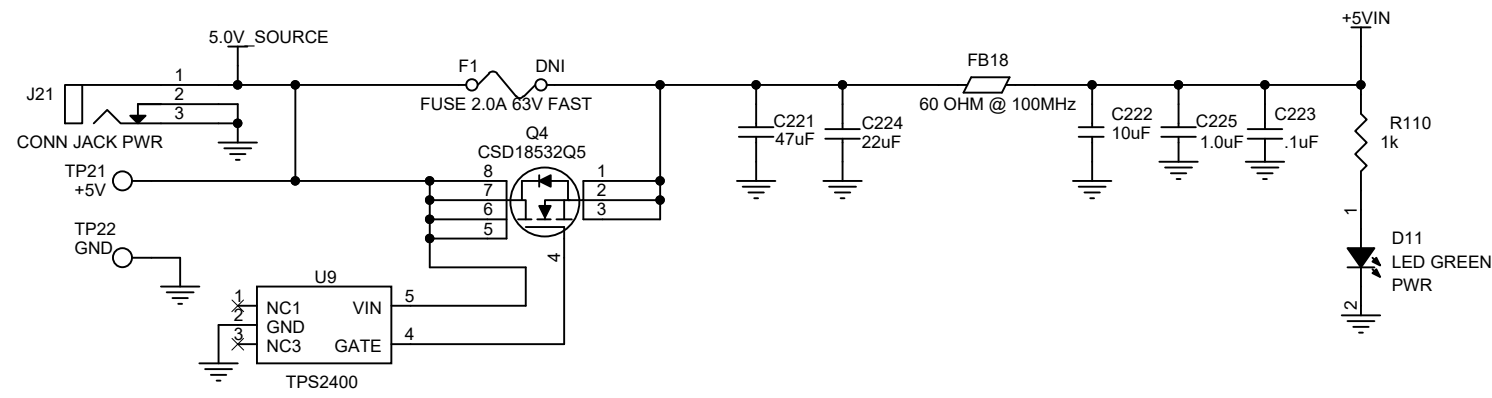


TEXAS INSTRUMENTS

Title: **POWER SUPPLIES +.9V, +1.8V**

Size: **B** Document Number: **DAC38RF8xEVM** Rev: **G**

Date: **Friday, July 10, 2020** Sheet: **9** of **10**



TEXAS INSTRUMENTS

Title: **POWER SUPPLIES**

Size: **B** Document Number: **DAC38RF8xEVM** Rev: **G**

Date: **Friday, July 10, 2020** Sheet: **10** of **10**