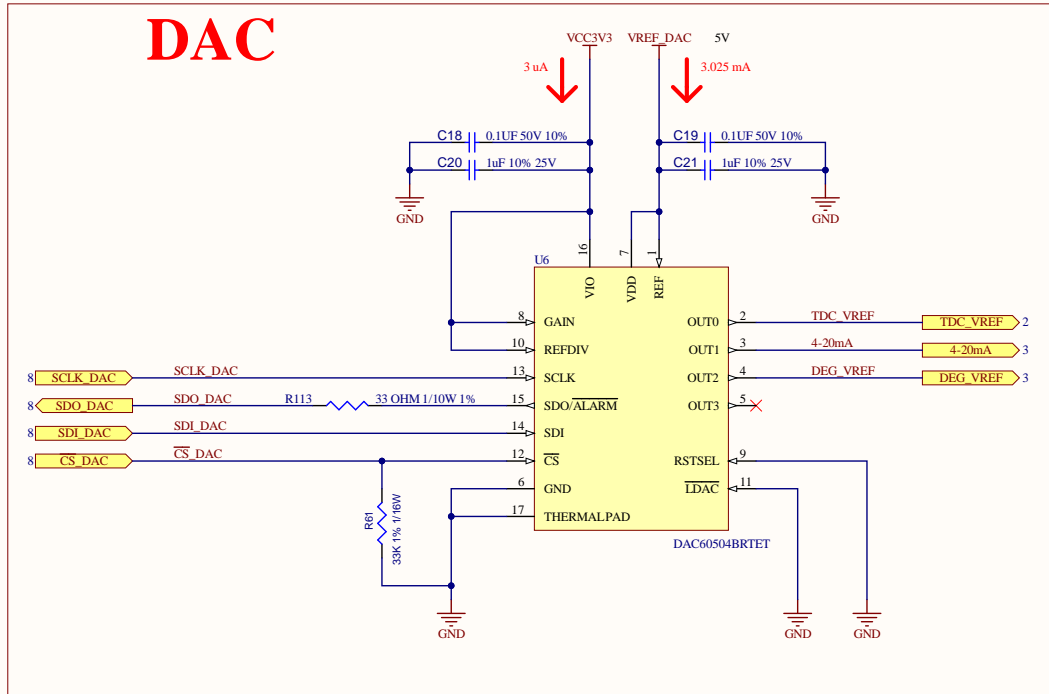
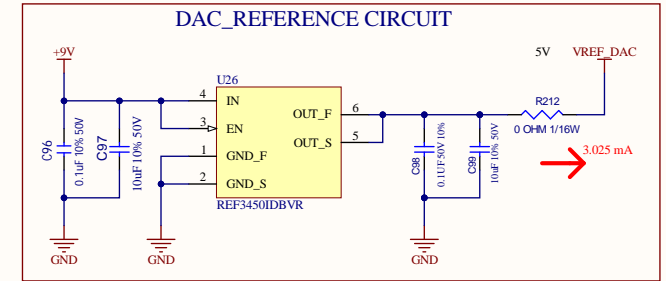


DAC



DAC_REFERENCE CIRCUIT



Title		
Size B	Number	Revision
Date: 12-12-2024	Sheet of	
File: \\...DAC60504.SchDoc	Drawn By:	