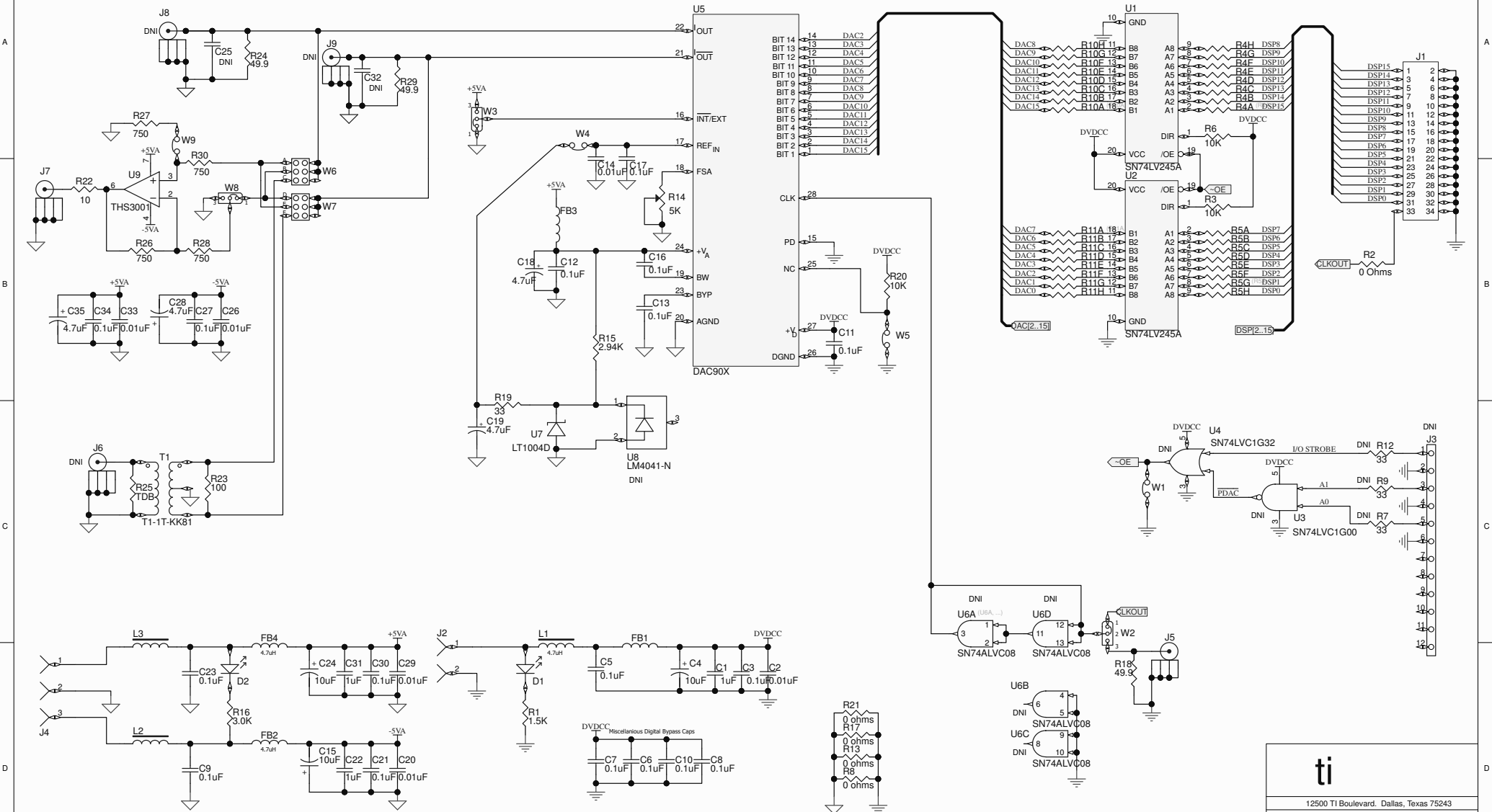


Revision History		
REV	ECN Number	Approved



ti

12500 TI Boulevard, Dallas, Texas 75243

Title: DAC90X HIGH SPEED DAC Evaluation Module Schematic

Engineer:	SIZE:	DATE: 4/26/2017	REV: A
Drawn By:	FILE:	SHEET: 1 OF 1	