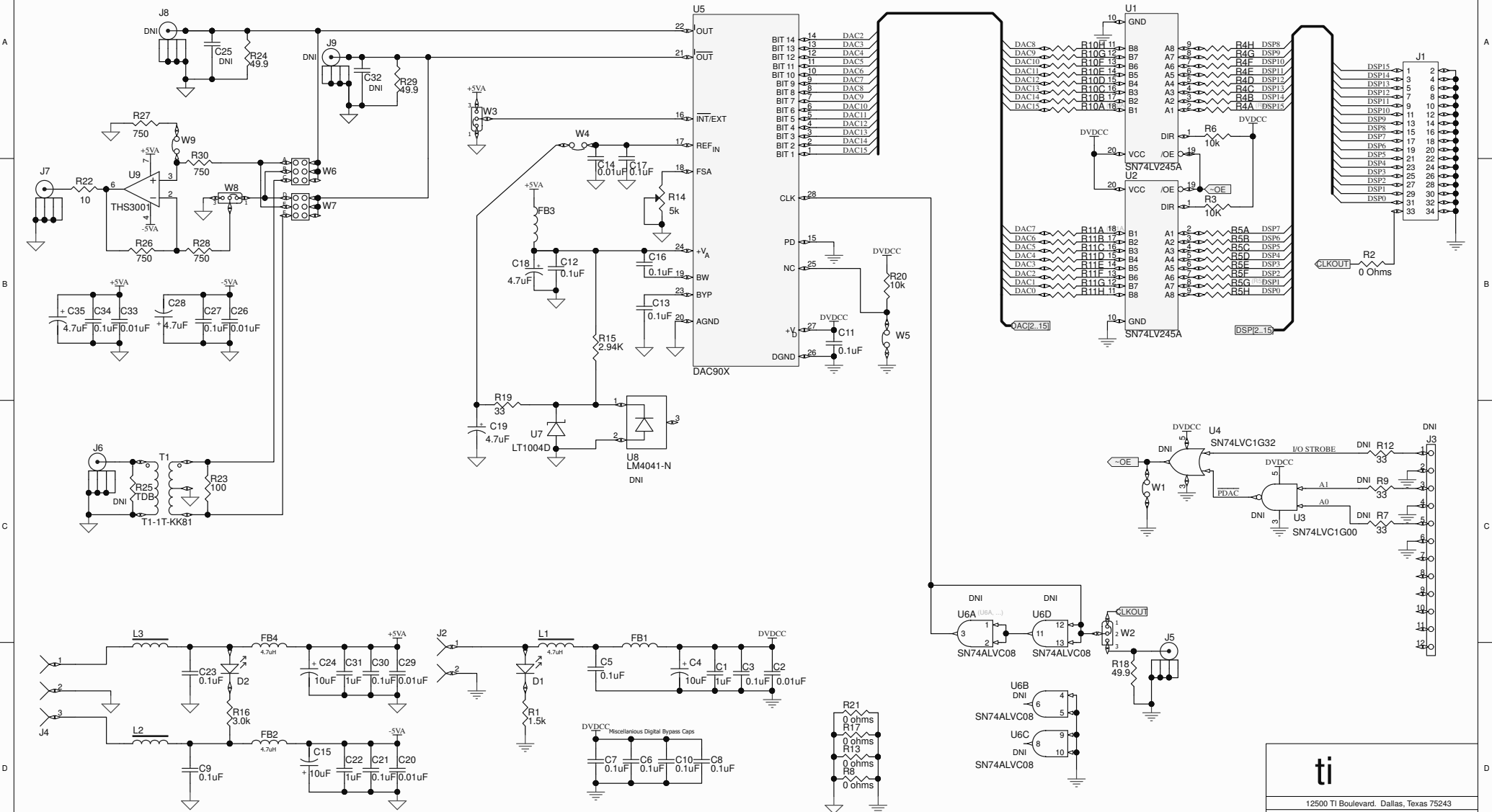



| Revision History | | |
|------------------|------------|----------|
| REV | ECN Number | Approved |
| | | |
| | | |




 12500 TI Boulevard, Dallas, Texas 75243
 Title: DAC90X HIGH SPEED DAC Evaluation Module Schematic

| | | | |
|-----------|-------|-----------------|--------|
| Engineer: | SIZE: | DATE: 7/21/2017 | REV: A |
| Drawn By: | FILE: | SHEET: 1 OF 1 | |