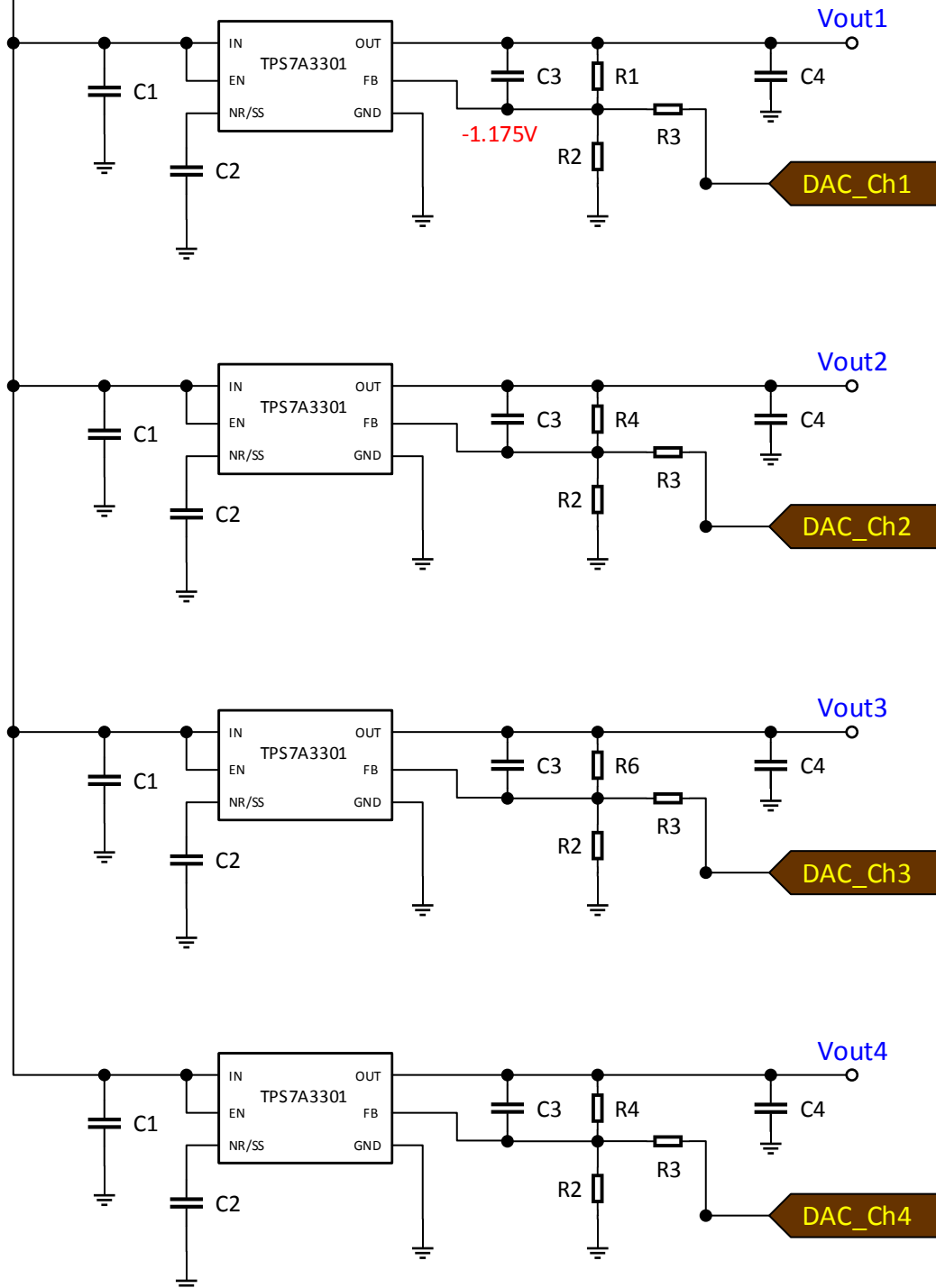


DAC-Controlled, adjustable Vout, Negative-Voltage LDOs

Four independent Vouts, each adjustable between [-6.2, -1.8]V. Each: 120mA max. Maximum adjustment granularity: 0.02V.

Vin1 = -7V



DAC Power supply,

Vin2 = +5V

I2C Interface

