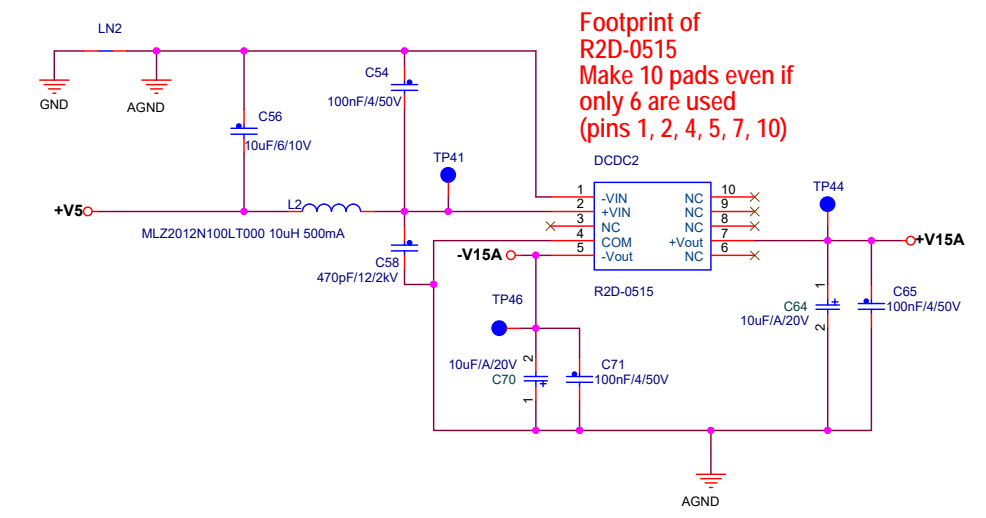
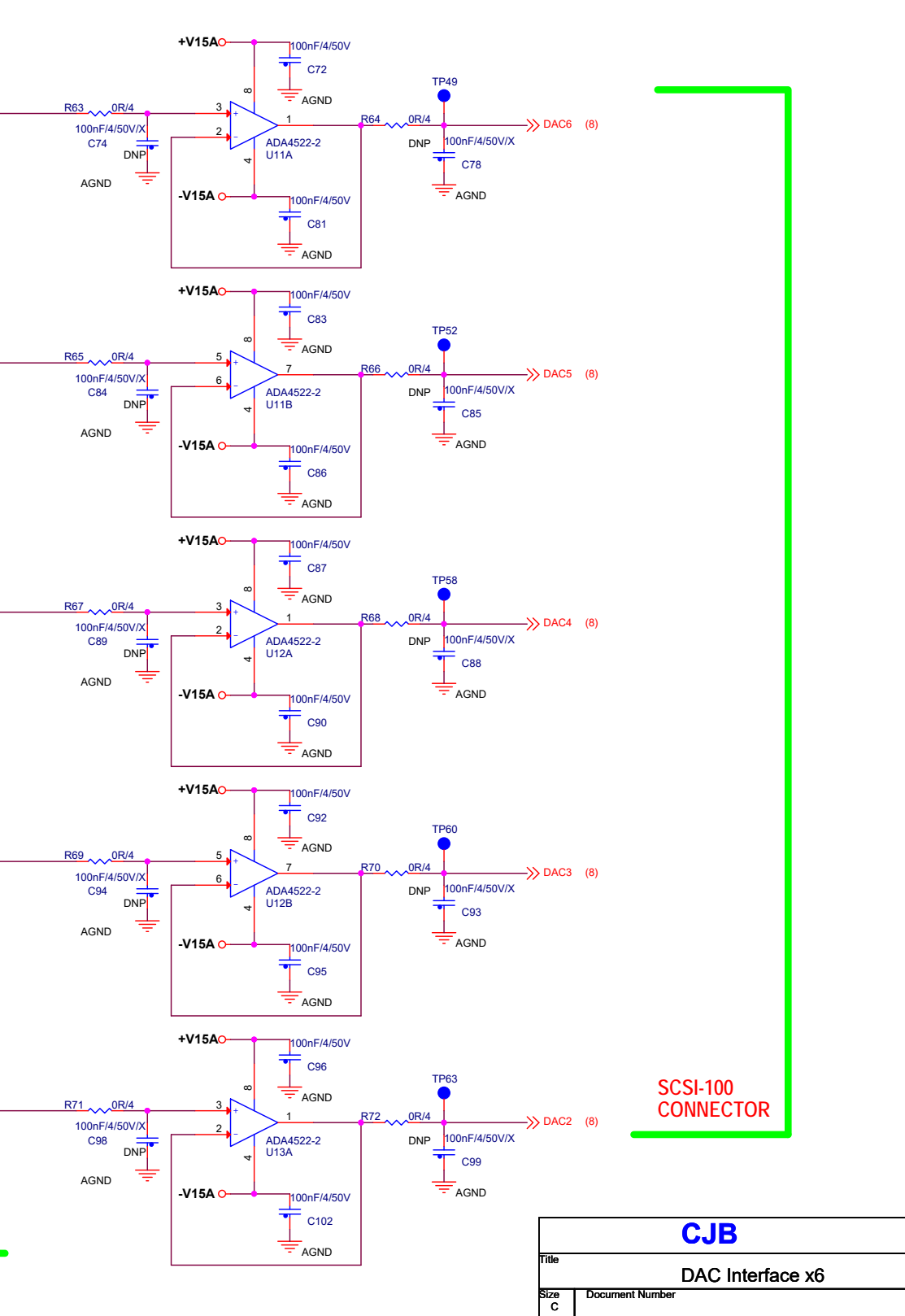
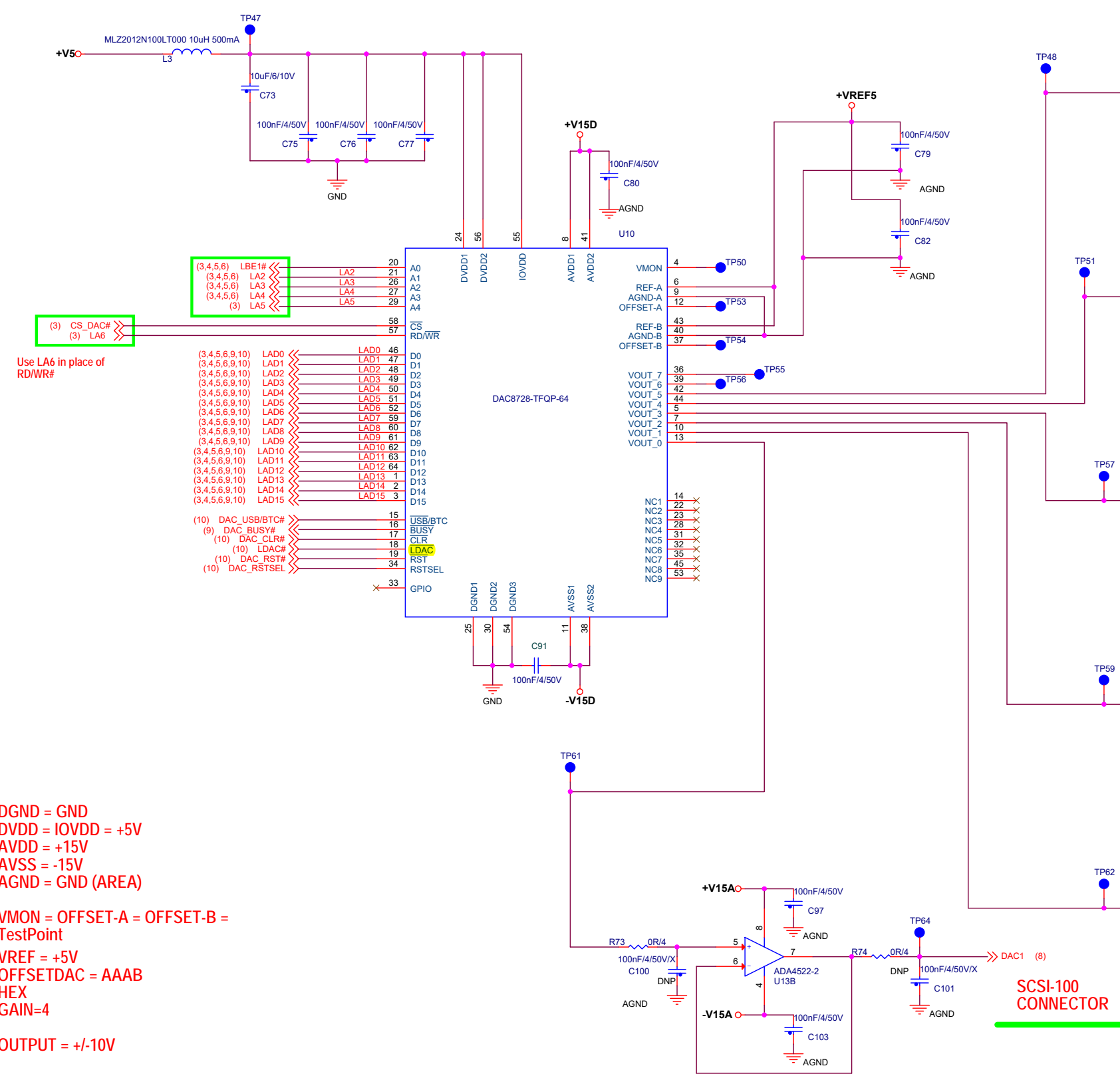


Footprint of R2D-0515  
Make 10 pads even if only 6 are used (pins 1, 2, 4, 5, 7, 10)



Footprint of R2D-0515  
Make 10 pads even if only 6 are used (pins 1, 2, 4, 5, 7, 10)

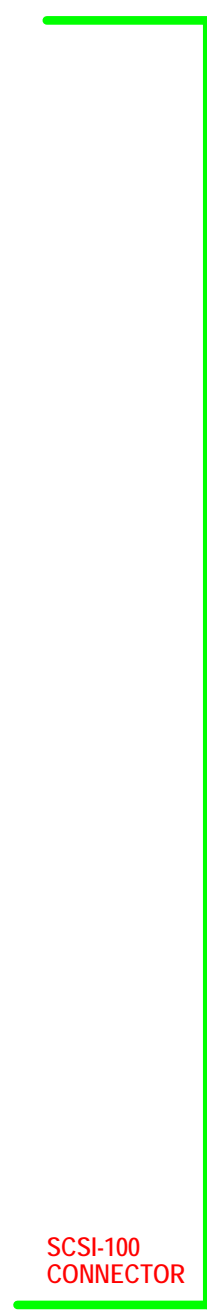


Use LA6 in place of RDWR#

DGND = GND  
DVDD = IOVDD = +5V  
AVDD = +15V  
AVSS = -15V  
AGND = GND (AREA)

VMON = OFFSET-A = OFFSET-B = TestPoint  
VREF = +5V  
OFFSETDAC = AAAB  
HEX  
GAIN=4

OUTPUT = +/-10V



SCSI-100 CONNECTOR

SCSI-100 CONNECTOR

<b>CJB</b>		
<b>DAC Interface x6</b>		
Title		
Size	Document Number	Rev
C		1.0
Date:		