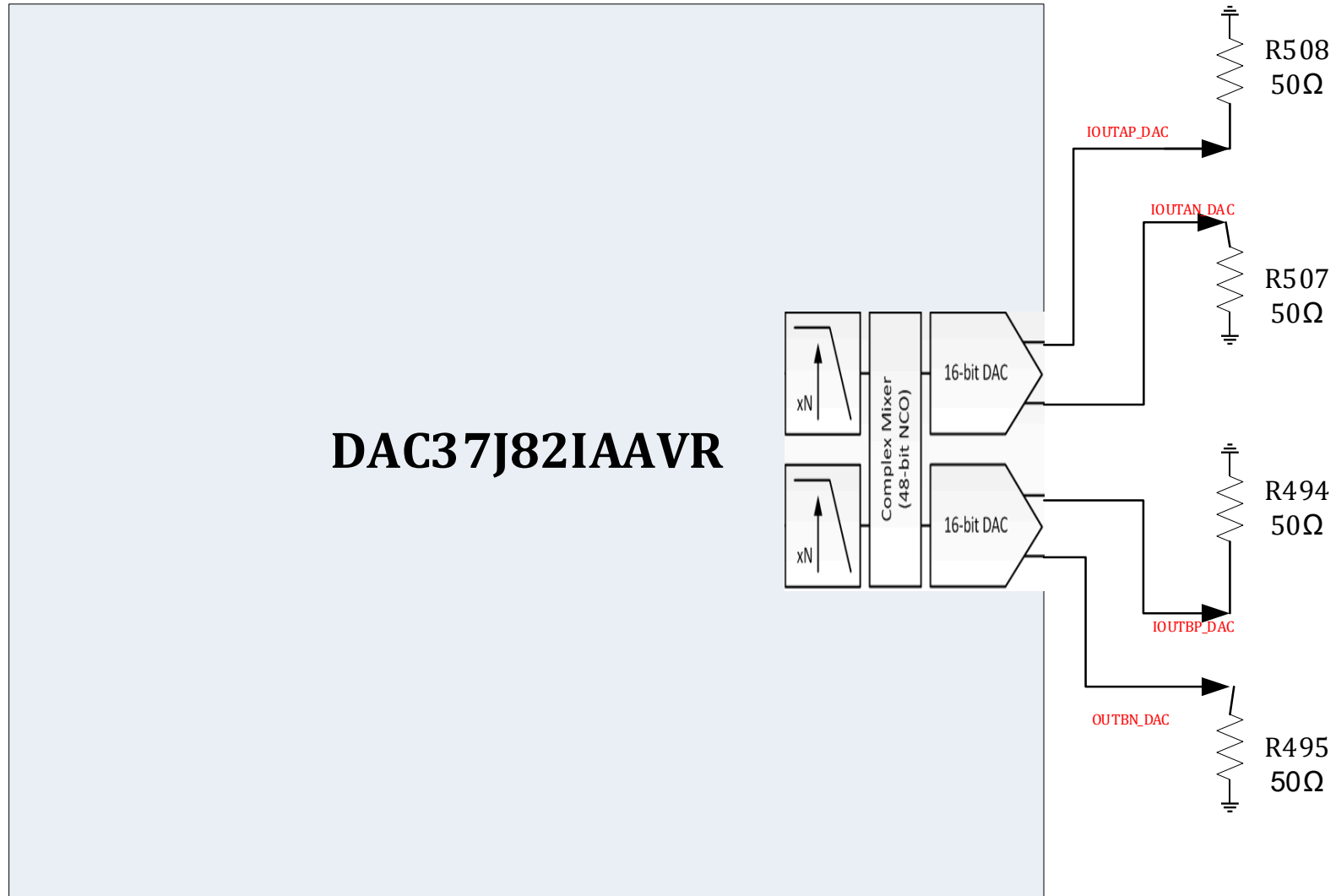
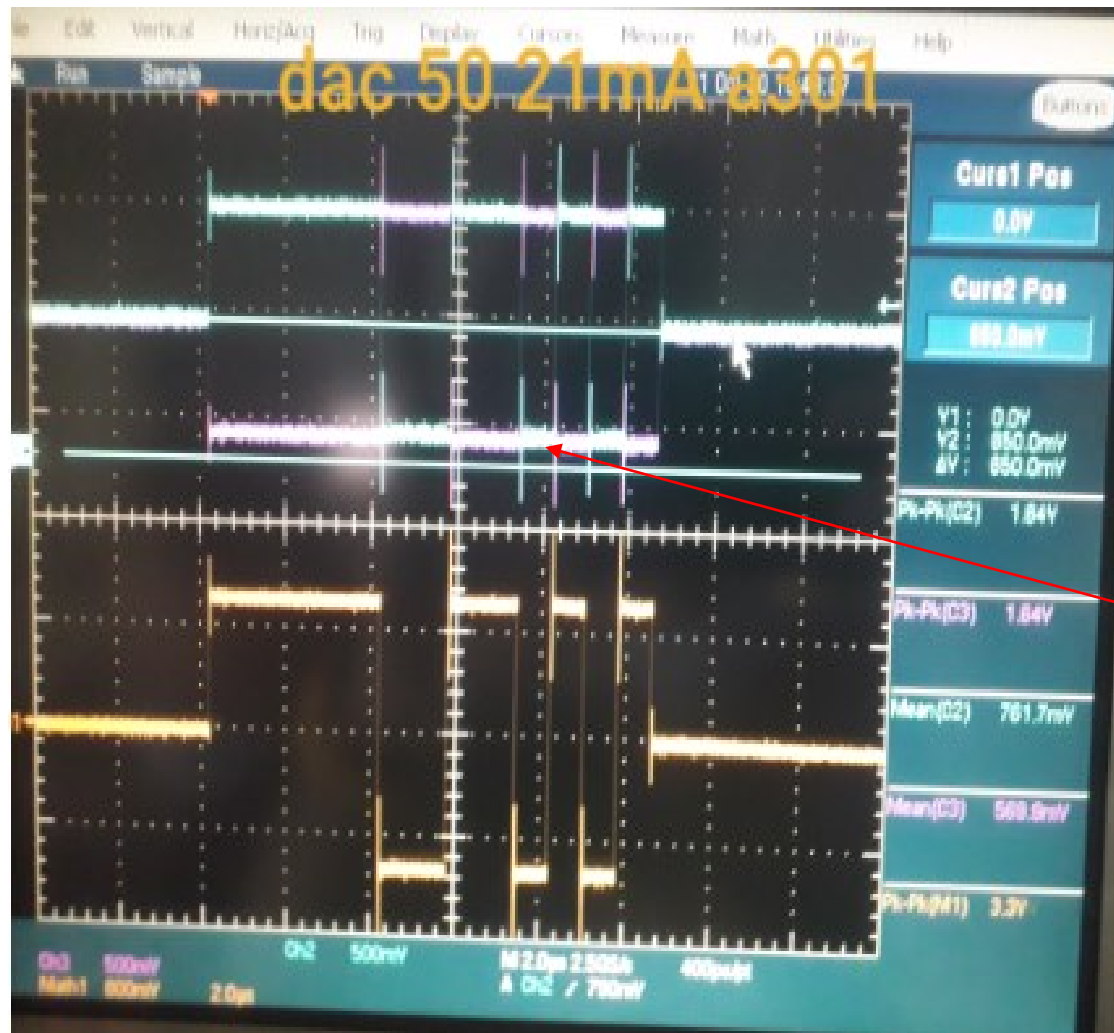


# Set Up 0



# Set Up 0



Offset of ~130mV  
above GND

	Measured	Expected
Common Mode I:	0.65V	0.525
Peak to Peak I :	1.04V	1.05

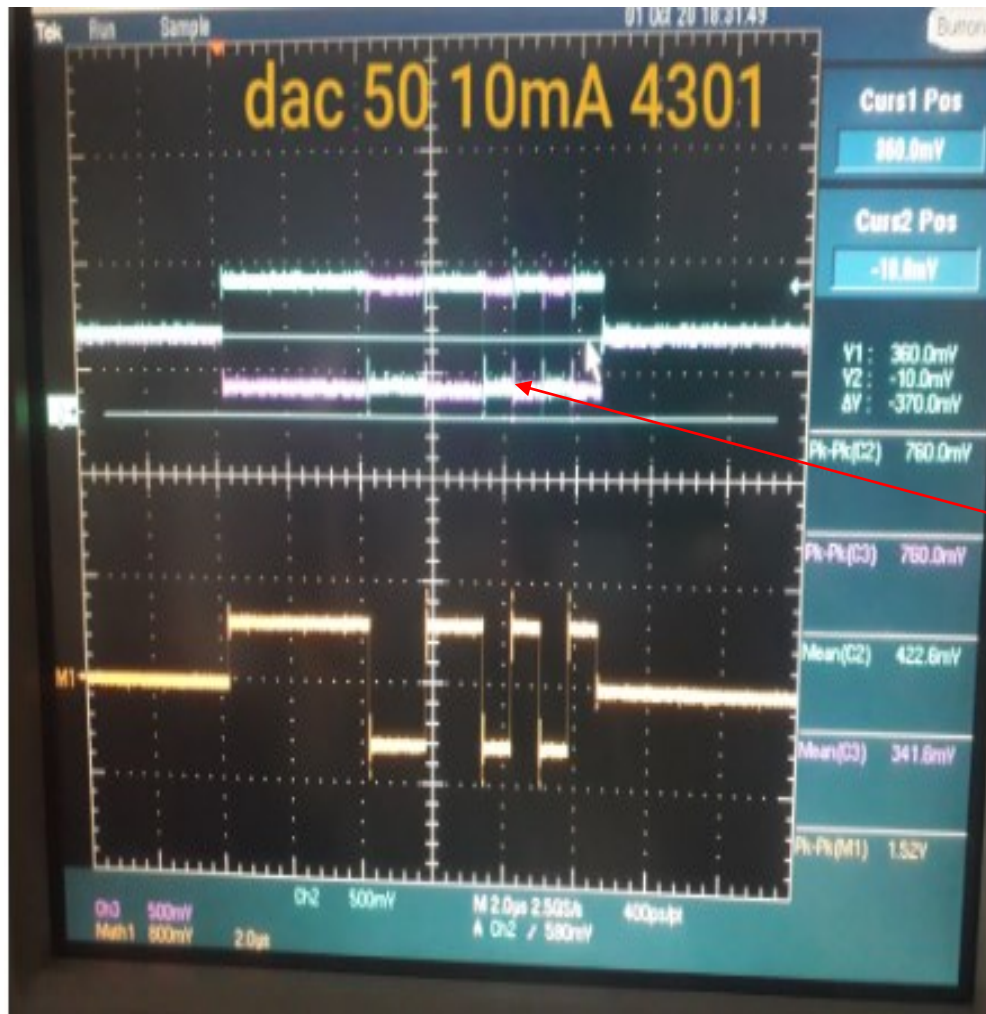
DAC\_Rload=50 ohm

Config3 reg : I=0xA301= 21mA

coarse\_dac(3:0) = 0xA

Additional measurements  
with  
different DAC current output

# Set Up 0



Offset of ~130mV  
above GND

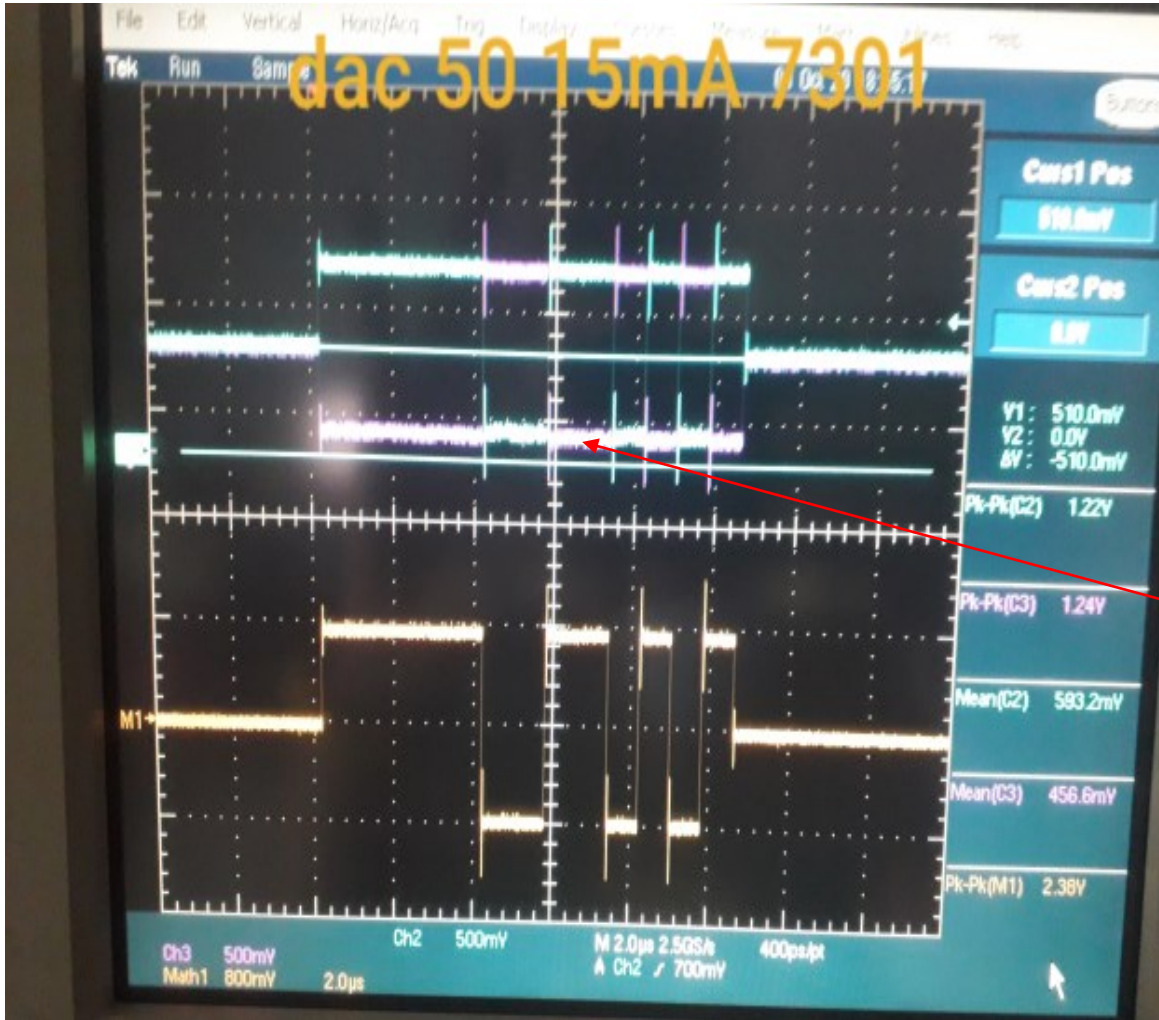
DAC\_Rload=50 ohm

$I = 0x4301 = 10\text{mA}$

coarse\_dac(3:0) = 0x4

	Measured	Expected
Common Mode I:	0.37V	0.25
Peak to Peak I :	0.47V	0.5

# Set Up 0



Offset of ~130mV  
above GND

	Measured	Expected
Common Mode I:	0.51V	0.375
Peak to Peak I :	0.79V	0.75

DAC\_Rload=50 ohm

I=0x7301= 15mA

coarse\_dac(3:0) = 0x7