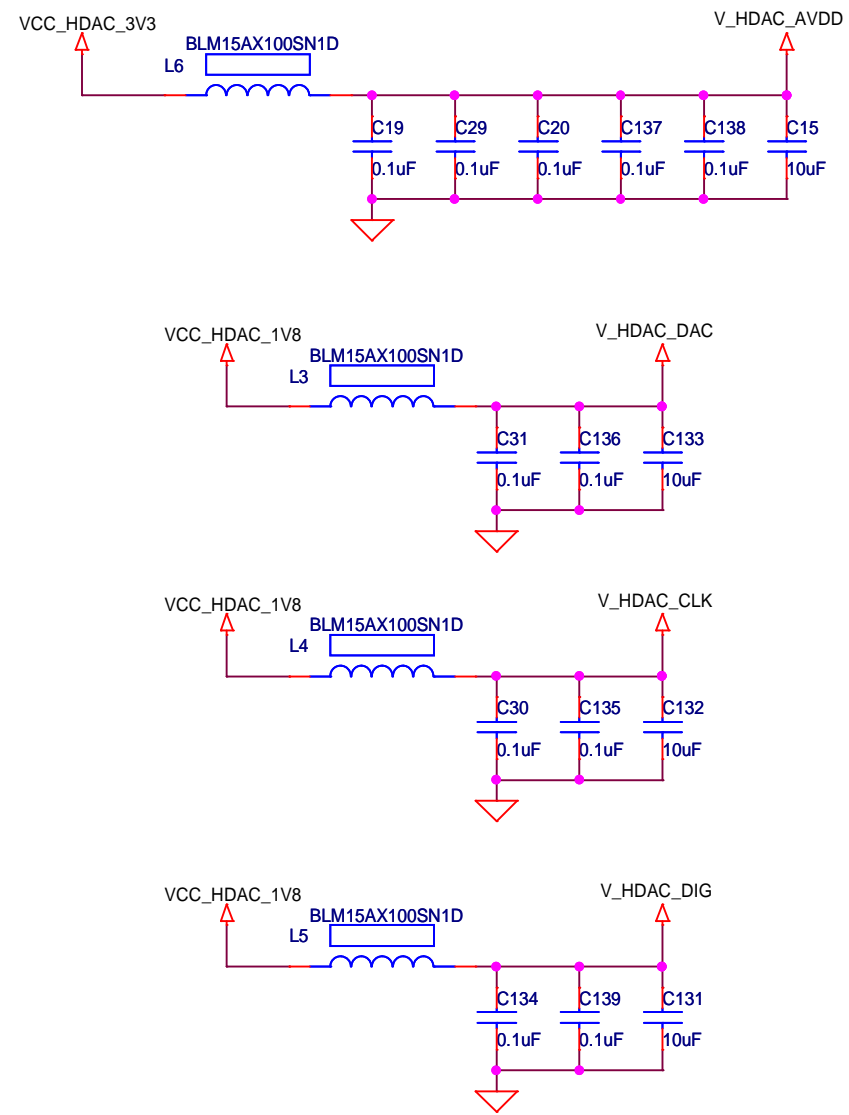
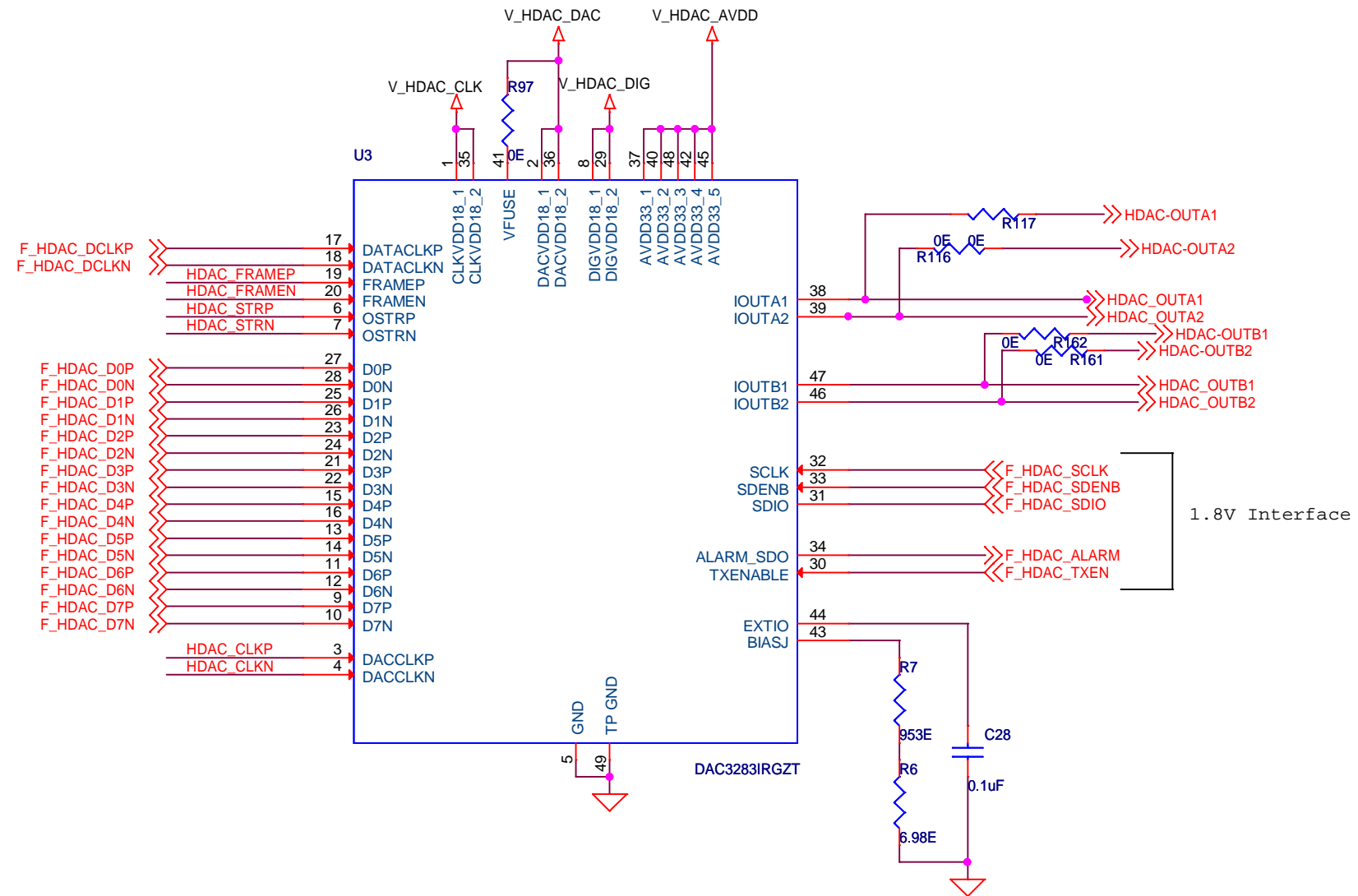


Power Decaps and Pullups/Pulldowns



High Speed DAC



High Speed DAC Reference Clock Input Circuit

