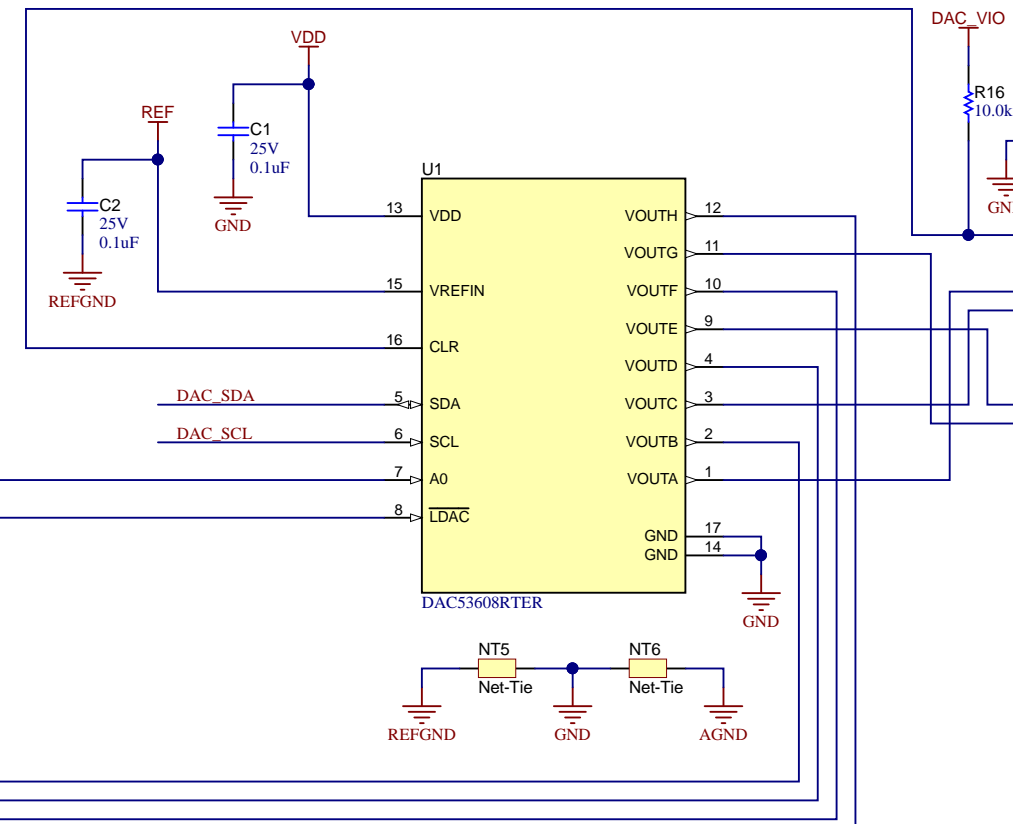
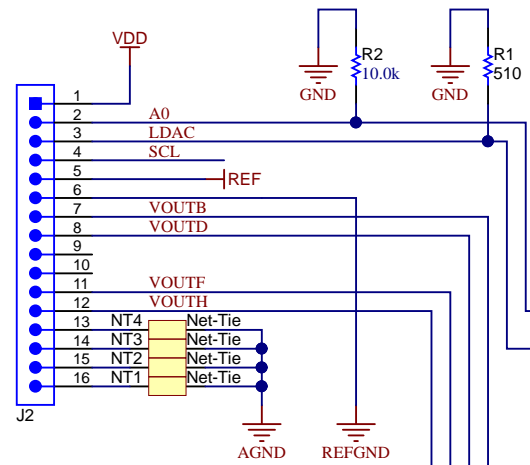
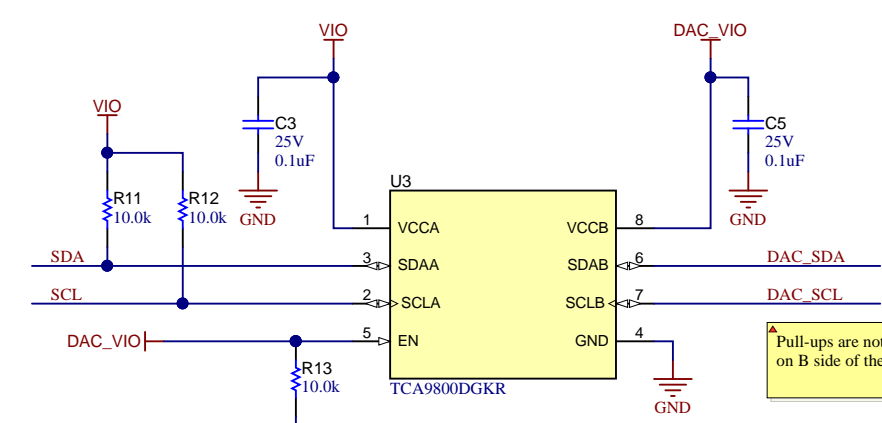
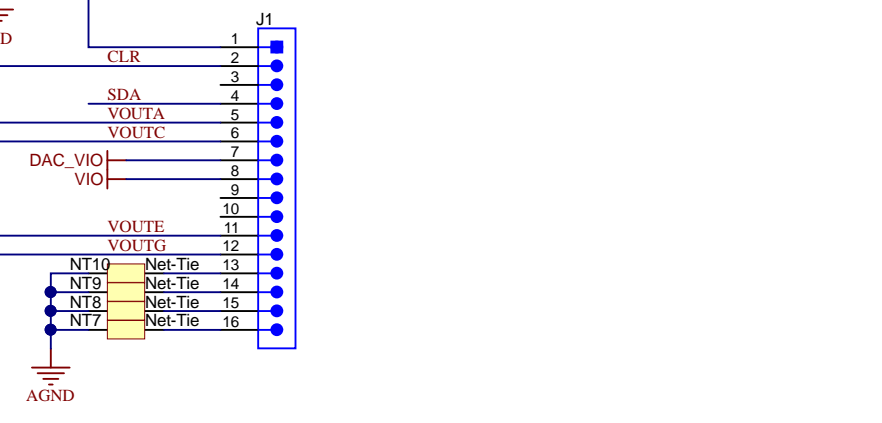


BOOSTXL-DAC-PORT Interface Left

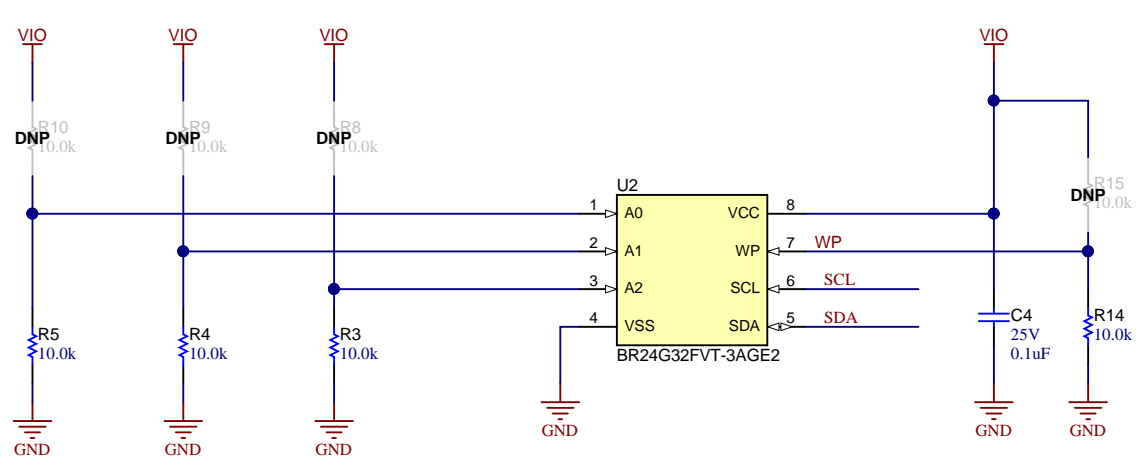


BOOSTXL-DAC-PORT Interface Right



Pull-ups are not recommended on B side of the buffer

This buffer is disabled by default due to absence of VIO



SDA R6 DNP 0 DAC_SDA
SCL R7 DNP 0 DAC_SCL

Texas Instruments and/or its licensors do not warrant the accuracy or completeness of this specification or any information contained therein. Texas Instruments and/or its licensors do not warrant that this design will meet the specifications, will be suitable for your application or fit for any particular purpose, or will operate in an implementation. Texas Instruments and/or its licensors do not warrant that the design is production worthy. You should completely validate and test your design implementation to confirm the system functionality for your application.



A

A

PCB Number: DC070
PCB Rev: C

PCB
LOGO
Texas Instruments



PCB
LOGO
FCC disclaimer

PCB
LOGO
WEEE logo

B

B

C

C

ZZ3
Assembly Note
These assemblies are ESD sensitive, ESD precautions shall be observed.

ZZ2
Assembly Note
These assemblies must be clean and free from flux and all contaminants. Use of no clean flux is not acceptable.

ZZ1
Assembly Note
These assemblies must comply with workmanship standards IPC-A-610 Class 2, unless otherwise specified.

D

D

Orderable: DAC53608EVM	Designed for: Public Release	Mod. Date: 1/10/2019
TID #: N/A	Project Title: DAC53608EVM	
Number: DC070	Rev: C	Sheet Title:
SVN Rev: Version control disabled	Assembly Variant: 001	Sheet: 3 of 3
Drawn By:	File: DC070C_DAC53608EVM_Hardware.SchDoc	Size: B
Engineer: Uttama Kumar Sahu	Contact: http://www.ti.com/support	

Texas Instruments and/or its licensors do not warrant the accuracy or completeness of this specification or any information contained therein. Texas Instruments and/or its licensors do not warrant that this design will meet the specifications, will be suitable for your application or fit for any particular purpose, or will operate in an implementation. Texas Instruments and/or its licensors do not warrant that the design is production worthy. You should completely validate and test your design implementation to confirm the system functionality for your application.

