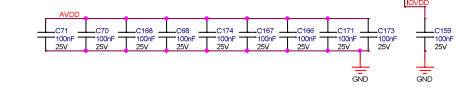
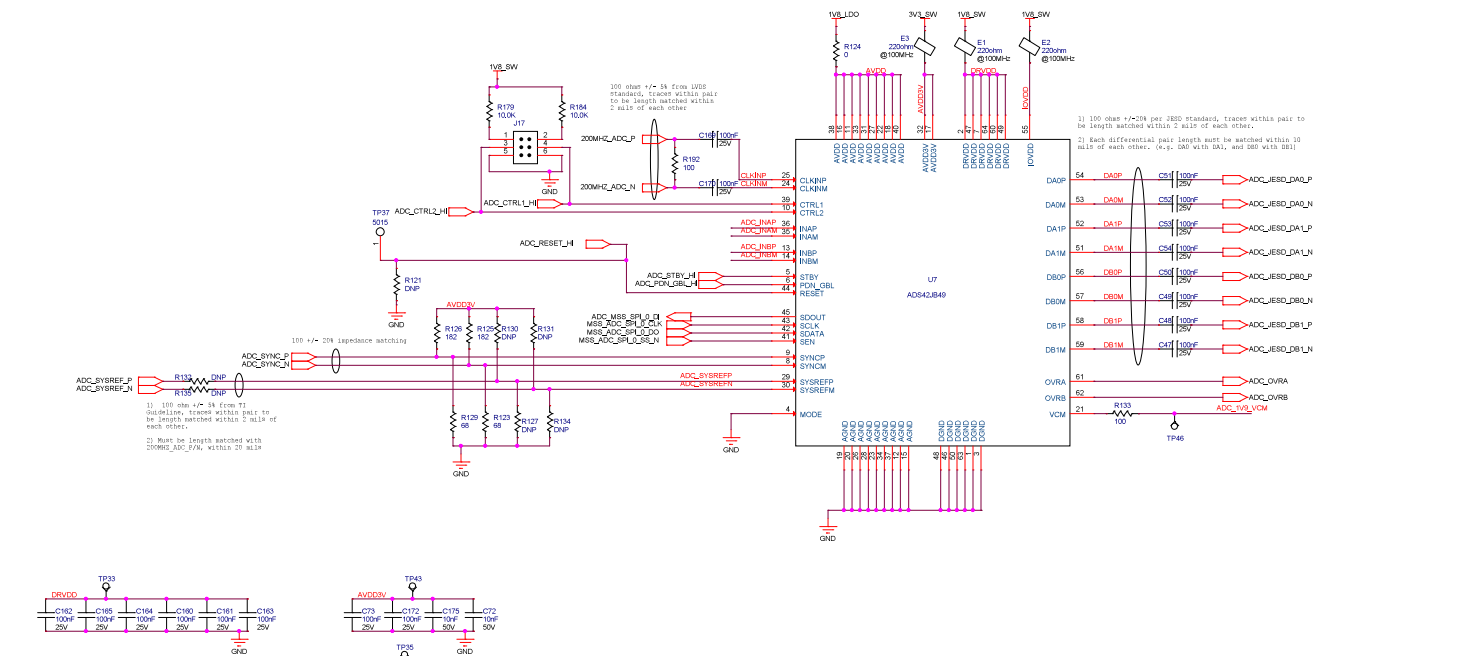
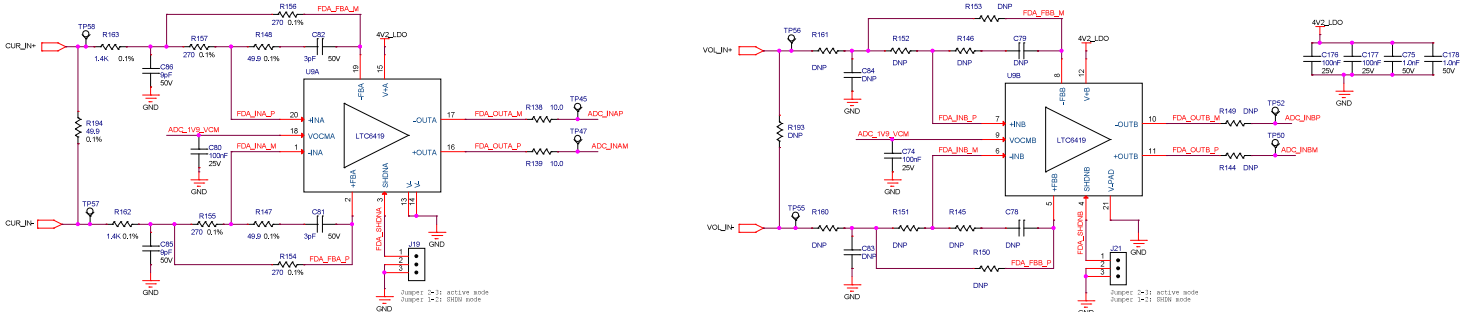


PROVISIONS FOR VOLTAGE SENSING



<p><b>PROPRIETARY STATEMENT</b>          THIS DOCUMENT AND ALL PREVIOUS ISSUES ARE THE SECRET AND CONFIDENTIAL PROPERTY OF S&amp;C ELECTRIC COMPANY, 6801 NORTH RIDGE BOULEVARD, CHICAGO, ILLINOIS, AND NEITHER RECEIPT NOR POSSESSION THEREOF INFERS OR TRANSFERS ANY RIGHT IN OR DISCLOSES TO THE SUBJECT MATTER THEREOF OR ANY DESIGN OR TECHNICAL INFORMATION SHOWN THEREON OR ANY RIGHT TO REPRODUCE THIS DOCUMENT OR ANY PART THEREOF. NEITHER THIS DOCUMENT NOR ANY INFORMATION CONTAINED THEREIN MAY BE COPIED, REPRODUCED, OR OTHERWISE USED OR DISCLOSED TO ANY OTHER PARTY WITHOUT FIRST OBTAINING THE EXPRESS WRITTEN PERMISSION OF S&amp;C. THIS DOCUMENT IS PROVIDED UNDER THE EXPRESS CONDITION THAT IT WILL BE HELD IN CONFIDENCE BY THE RECIPIENT, THAT IT IS SUBJECT TO RETURN UPON DEMAND, AND THAT IT WILL NOT BE USED IN ANY WAY DETRIMENTAL TO S&amp;C.</p>		<p>SIZE: C          REVISION: &lt;Rev C&gt;          DRAWN BY: [Signature]          DATE: 00-00-0000          ASSEMBLY: 006-003192-01          PRODUCT: High Speed DAQ Analog Front End</p>	<p><b>S&amp;C ELECTRIC COMPANY</b>          Excellence Through Innovation</p>
<p>SHEET 2 OF 8</p>			