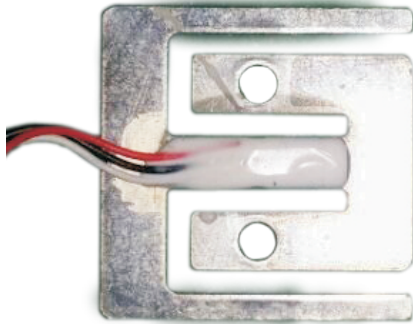


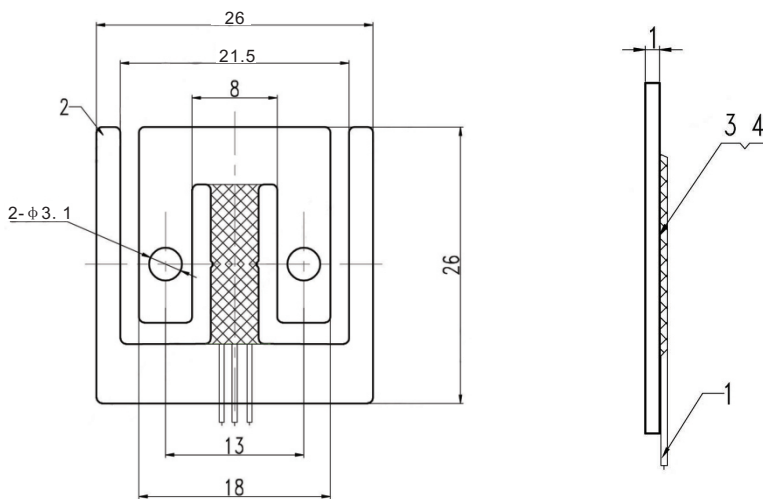
Micro load cell GML623A



Features

- Using Manganese steel material
- Electronic body scale

Installation size (mm):



Range (kg)	3	Zero balance	±0.5mv/v
Sensitivity	1±0.15 ; 0.6±0.15mv/v	Linearity	0.1%F.S
Hysteresis	0.05%F.S	Repeatability	0.05%F.S
Creep	0.15%F.S/3min	Output(Input) resistance	500±10Ω
Use Temp.	-10~40℃	Position error	0.1%F.S; 0.15%F.S
Temp. effect on zero	0.1%F.S/10℃	Temp. effect on span	0.1%F.S/10℃
Insulation resistance	≥2000MΩ	Excitation voltage	5-10Vdc
Ultimate overload	150%F.S	Precision	0.15%F.S