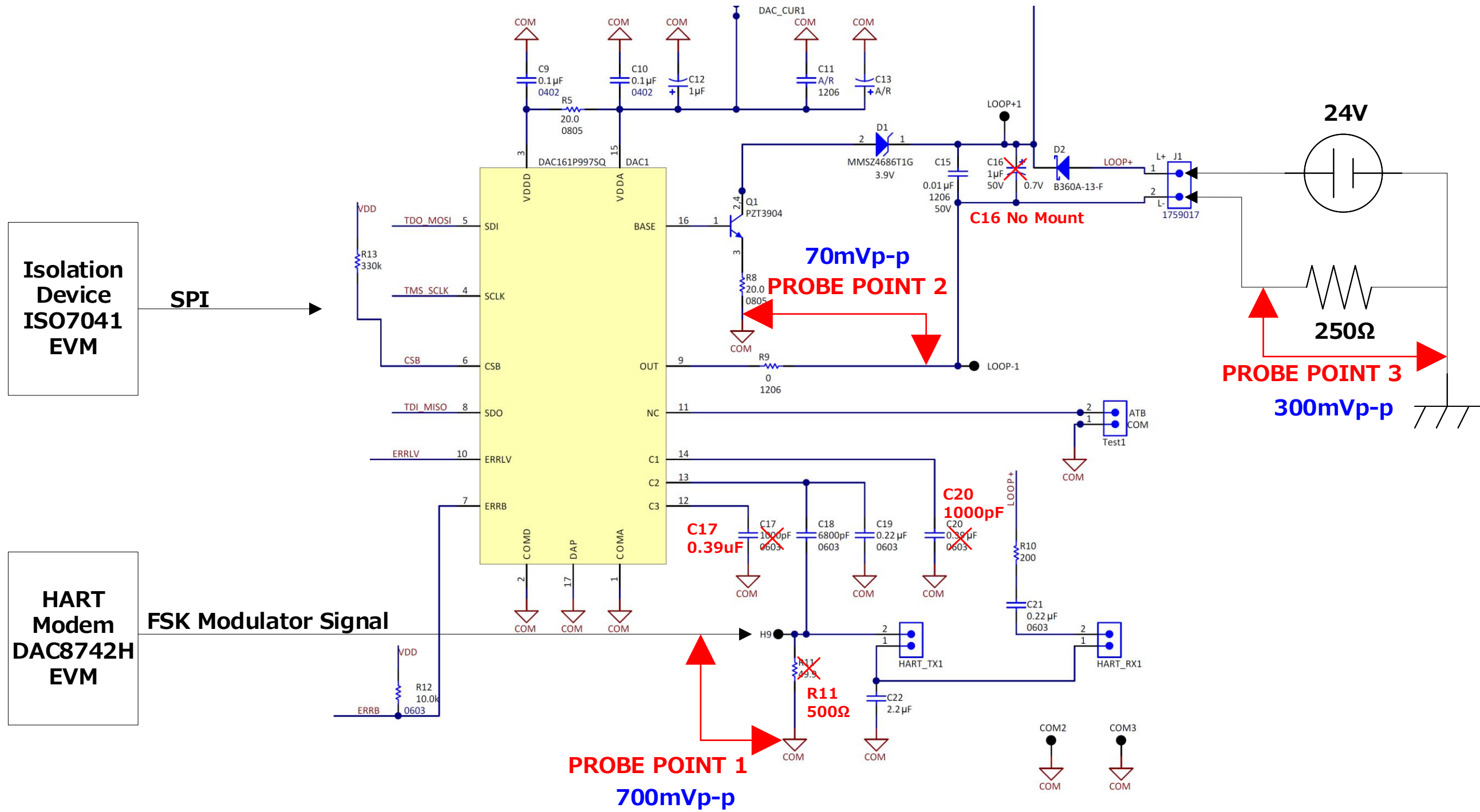


■ DAC161S997EVM



DAC = 0x2AB0 OUT = 4mA

CH3
PROBE POINT 1



DAC = 0x3600 OUT = 5mA

CH3
PROBE POINT 1



DAC = 0x2AB0 OUT = 4mA

CH4
PROBE POINT 3



DAC = 0x3600 OUT = 5mA

CH4
PROBE POINT 3

