

HR600599F

Electrical Specification @25°C

RoHS Compliant (Pb Free)

Operating Temperature Range: -40°C ~ +125°C

Isolation: 4300VDC 1mA 60S (Primary to Secondary)

OCL: 150uH Minimum, 370uH Maximum @100KHz 100mV

Turns Ratio: 1CT : 1CT ±2% (Primary : Secondary)

Insertion Loss: -1.0dB Maximum @1MHz ~ 60MHz

-1.25dB Typical @80MHz

-3.0dB Maximum @125MHz

Return Loss(Zout = 100 ohms): -16dB Minimum @4MHz

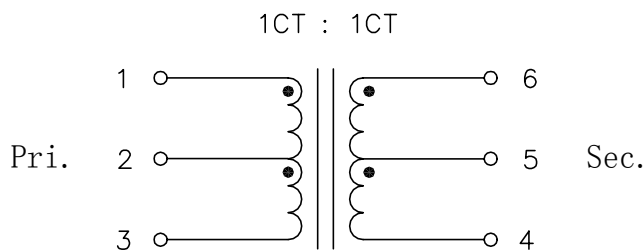
-14dB Minimum @30MHz

-8dB Minimum @60MHz

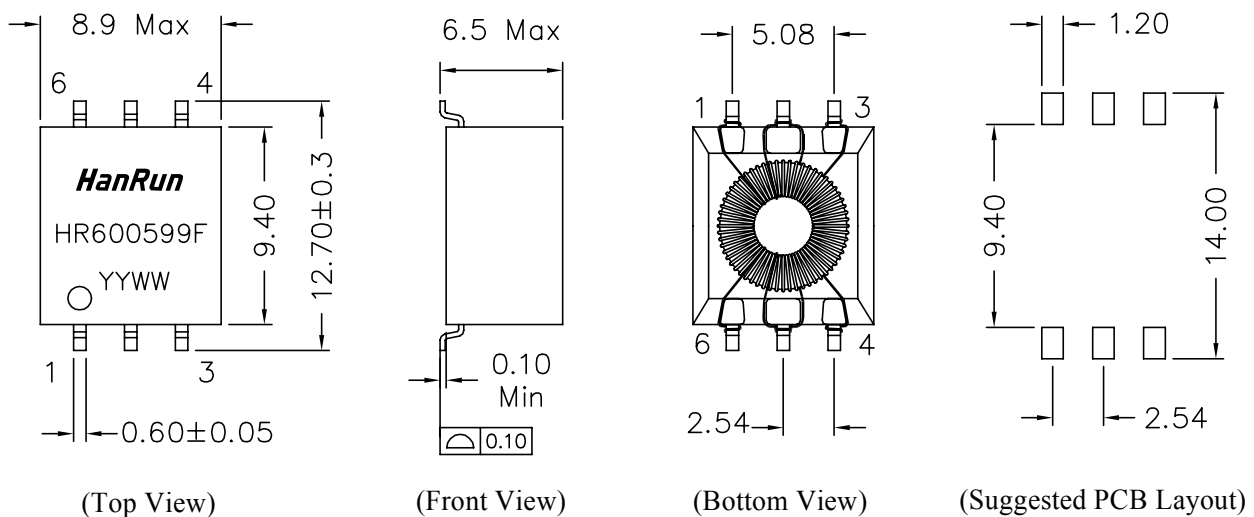
-5.5dB Minimum @80MHz

Design Construction: Basic Insulation

Schematics



Mechanical Dimensions



Dimensions in mm

Unless otherwise specified, Tol.: .xx ±0.25

REV.: 00