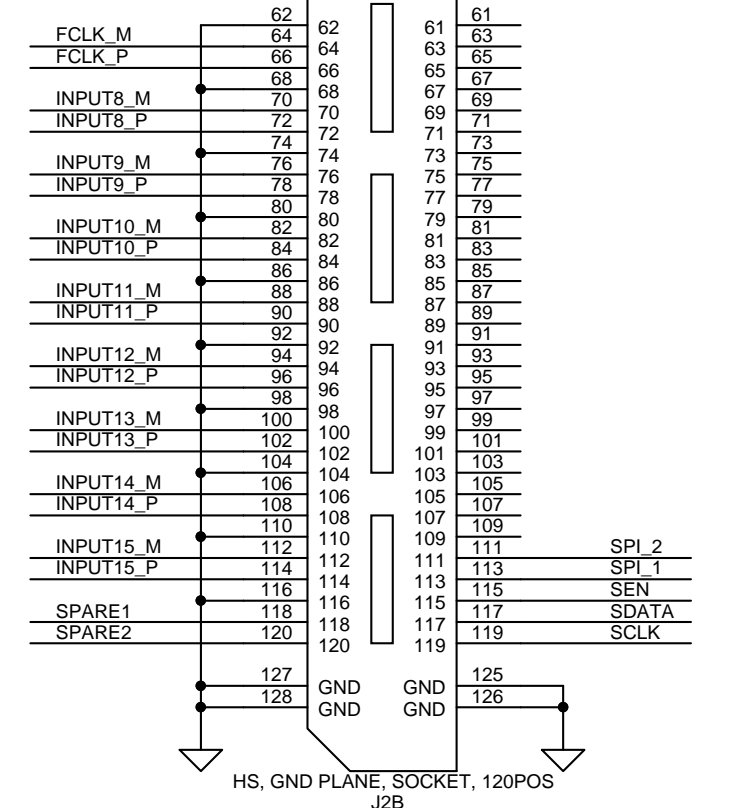
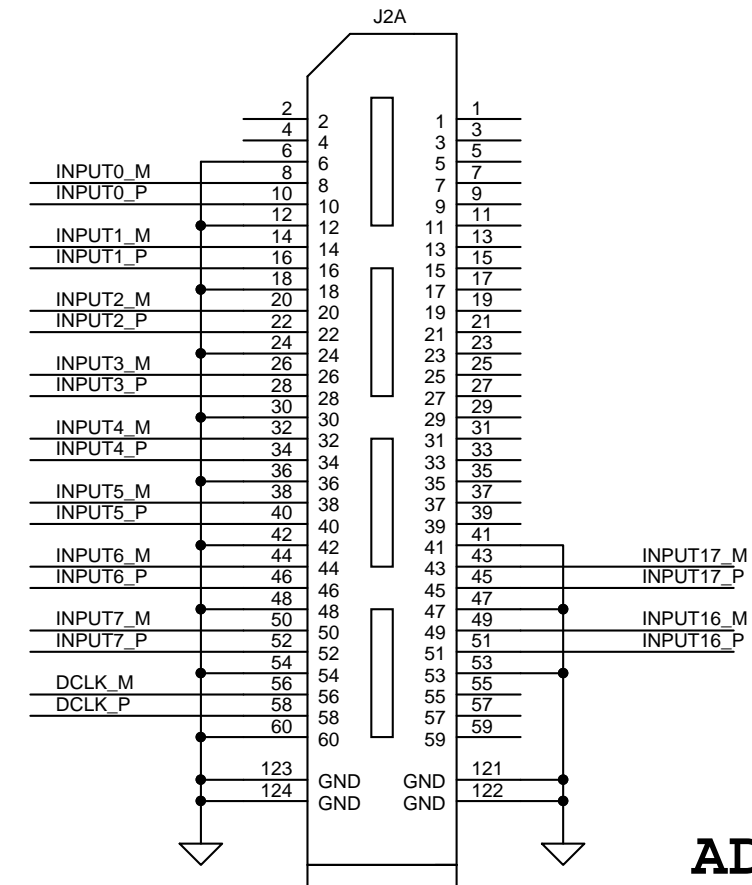
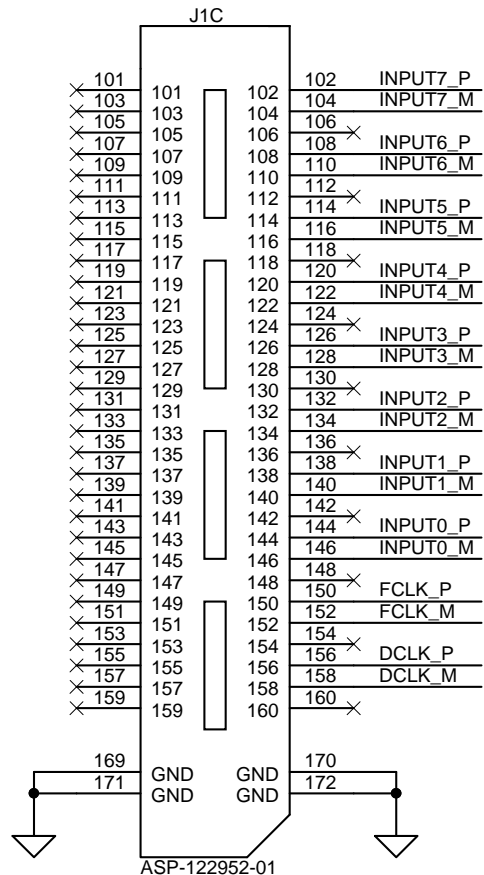
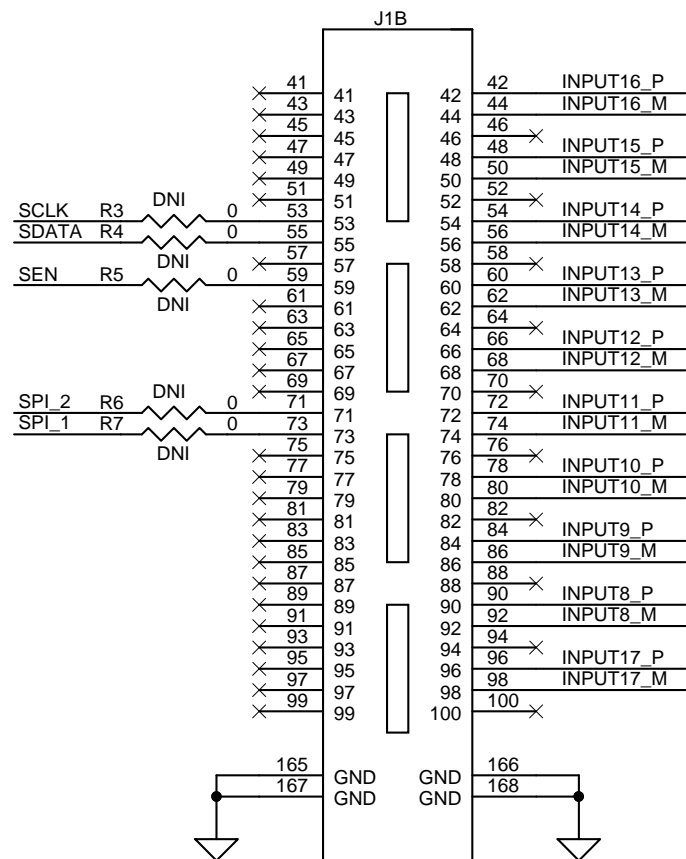
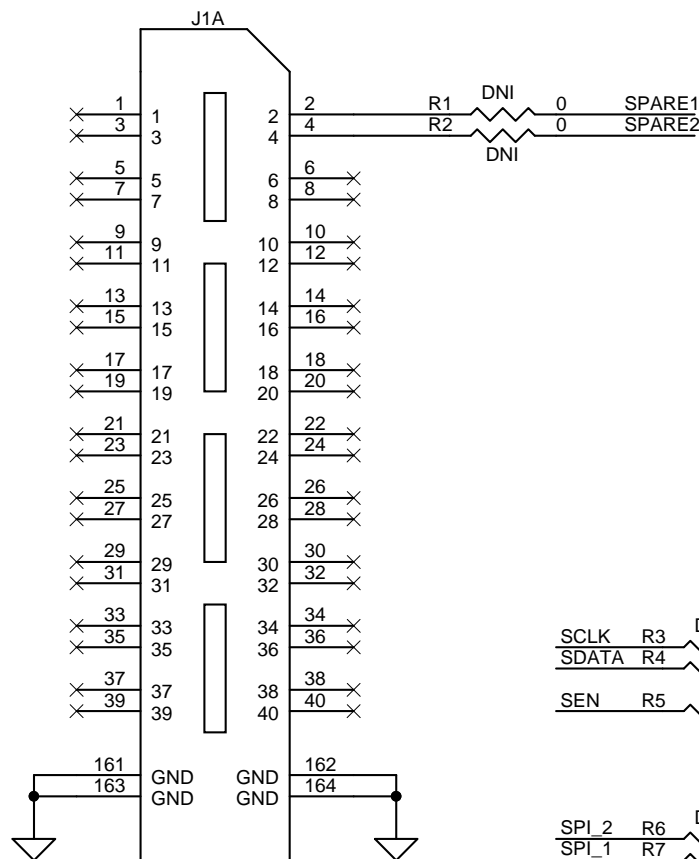


HSMC



ADC



HSMC ADC BRIDGE

Drawn: JV Smith 5/2012	Size B	Document Number	Rev D
Engineer: J Seton 5/2012	Date: Thursday, October 06, 2016	Sheet 1 of 1	INTERFACE