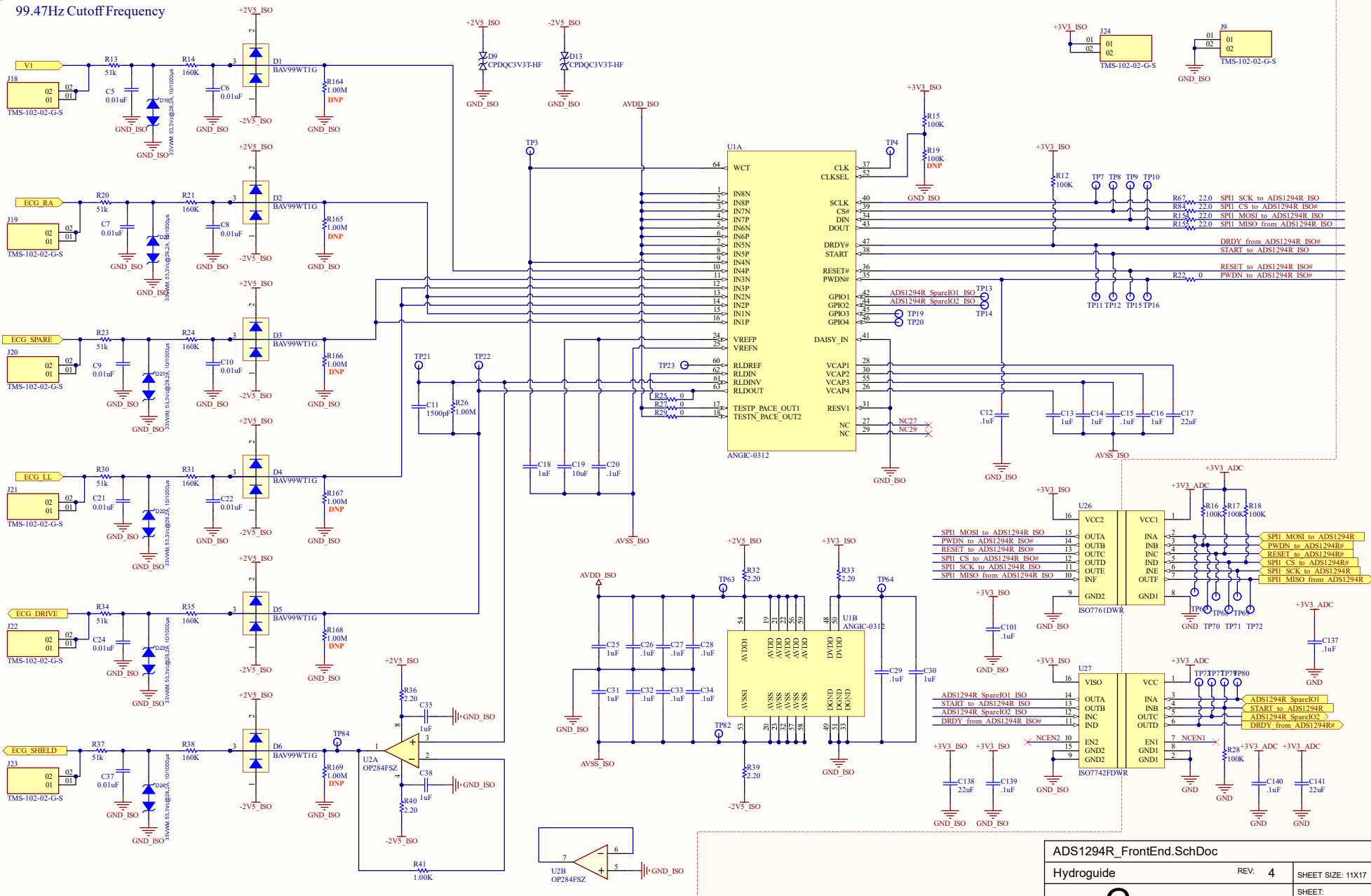
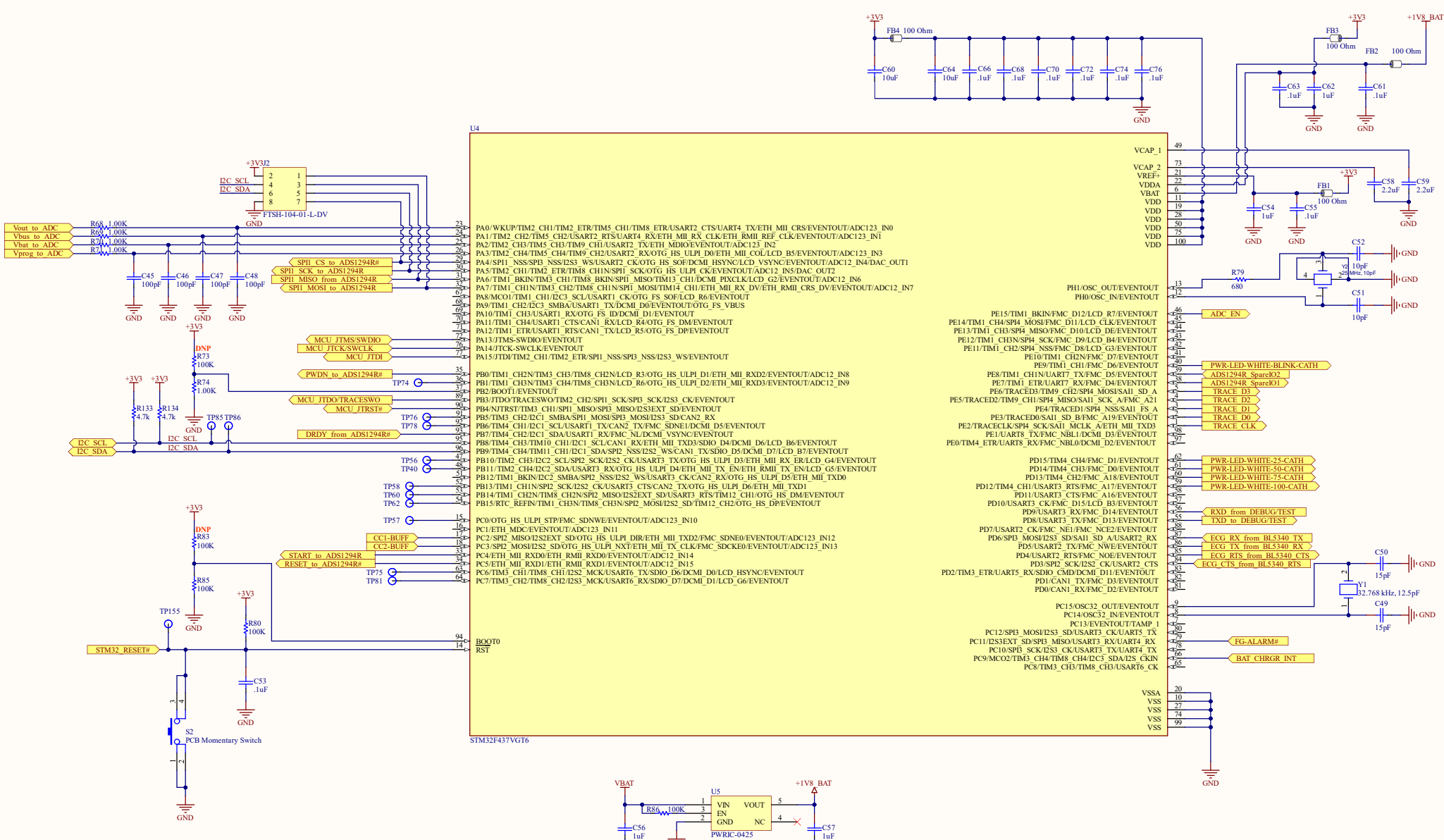


99.47Hz Cutoff Frequency



ADS1294R_FrontEnd.SchDoc		
Hydroguide	REV: 4	SHEET SIZE: 11X17
C		SHEET: 2 OF 7

C:\Projects\AVR\PCB Project\ECG Controller_REV4\ADS1294R_FrontEnd.SchDoc
SVM Rev: 11/24/2025
Last Saved: 11/24/2025



Microcontroller.SchDoc		
Hydroguide	REV: 4	SHEET SIZE: 11X17
C	SHEET: 5 OF 7	