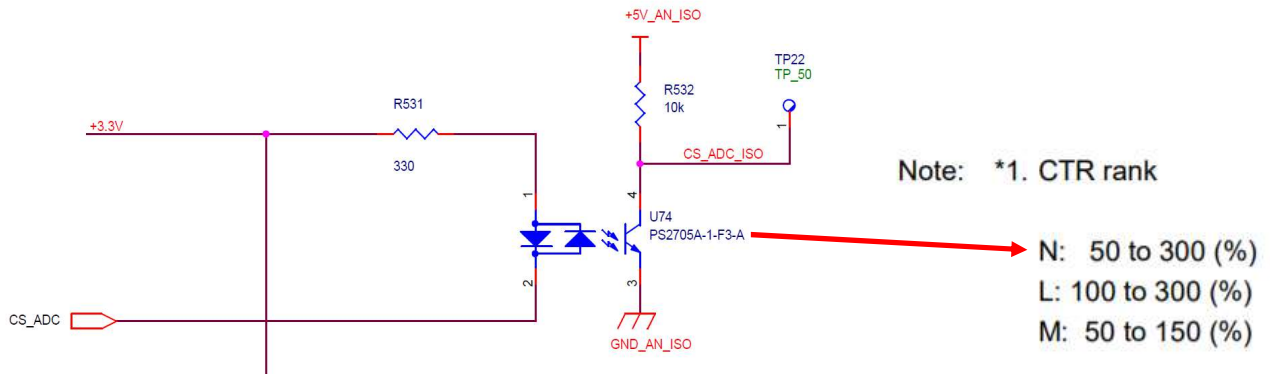
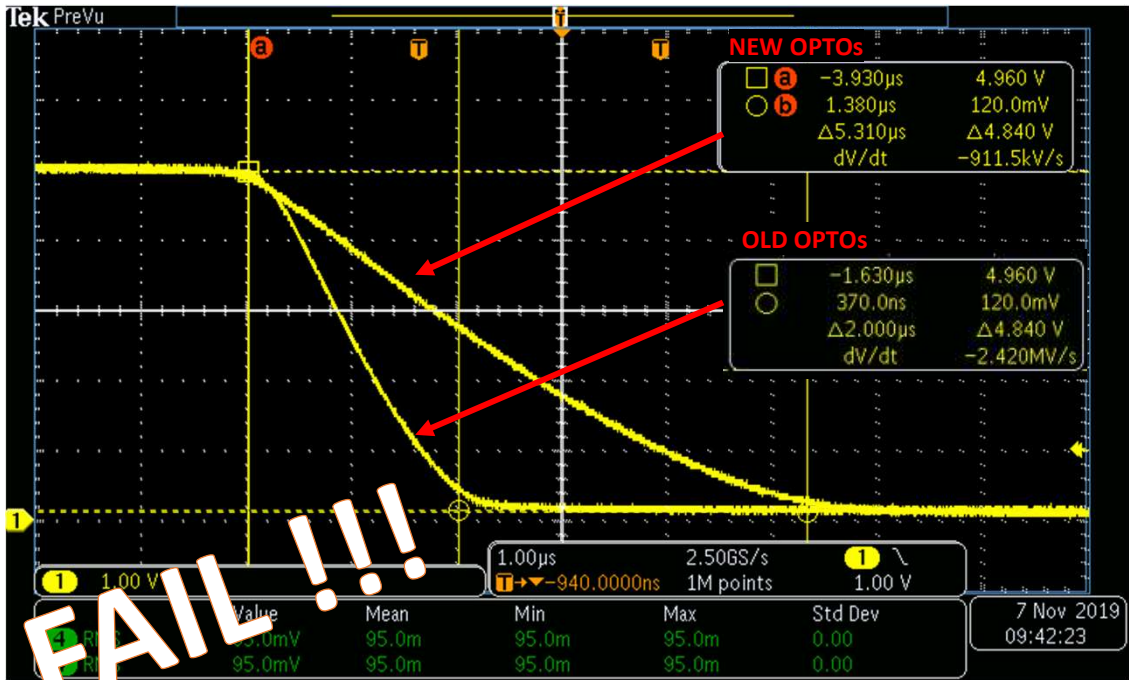
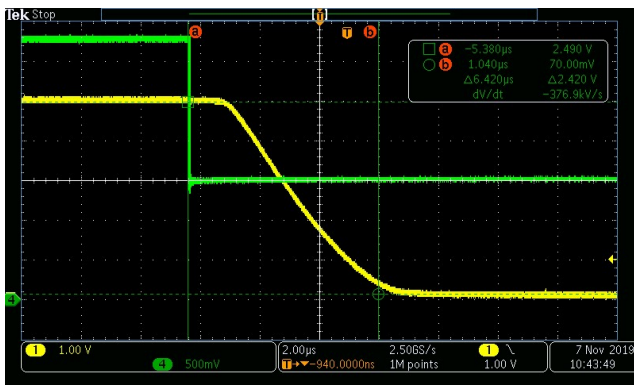


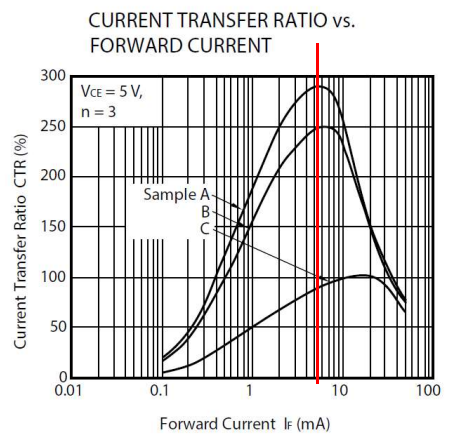
UPDATED PB PCB #518 (ADC and CE-opto from PB#821).



Isolator circuit for ADC CE-signal.



Transfer through Isolator



I_f measured to 5.5mA (red line), which should be OK