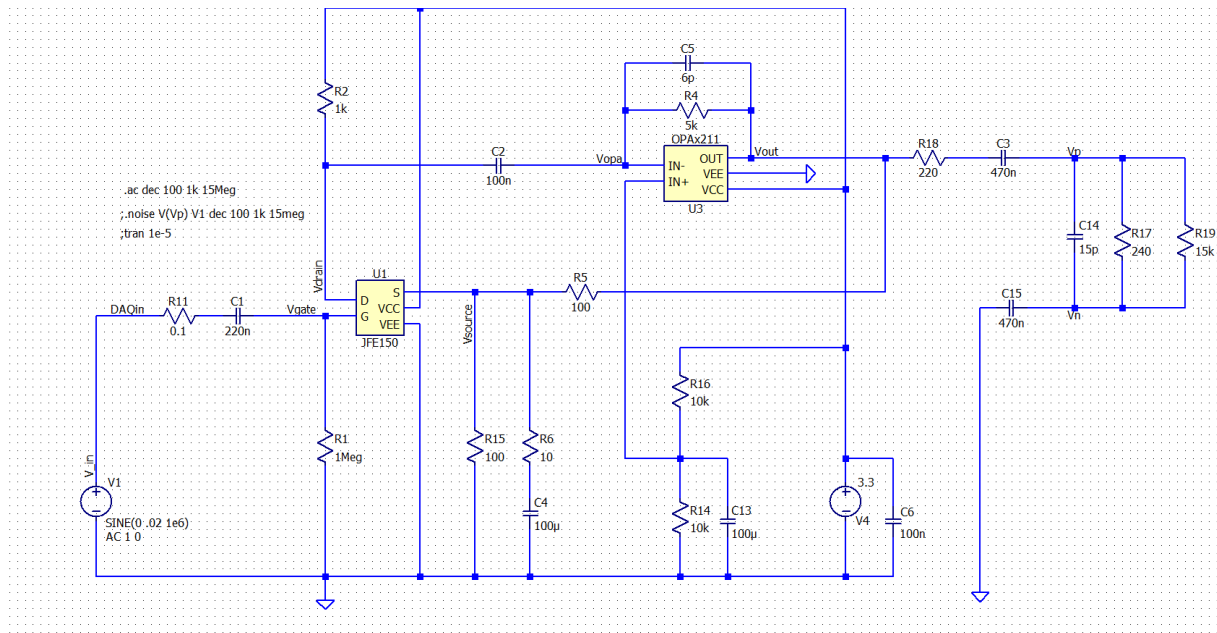


JFE150 + OPA211



GAIN:

