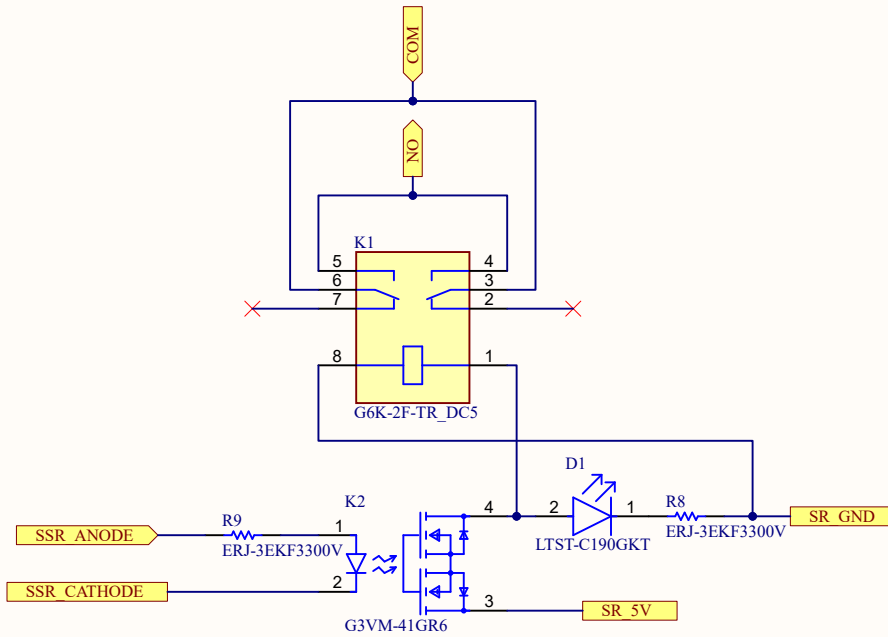


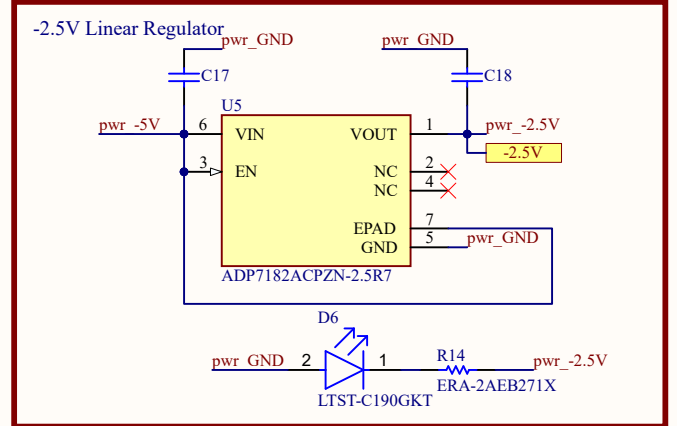
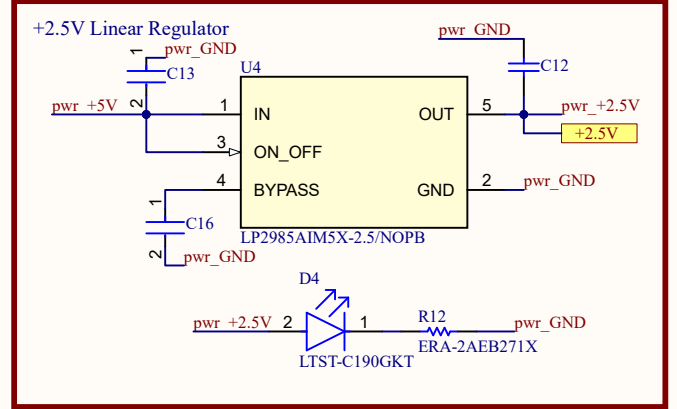
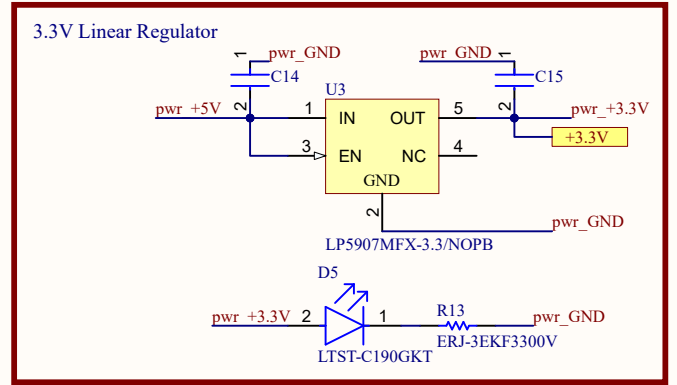
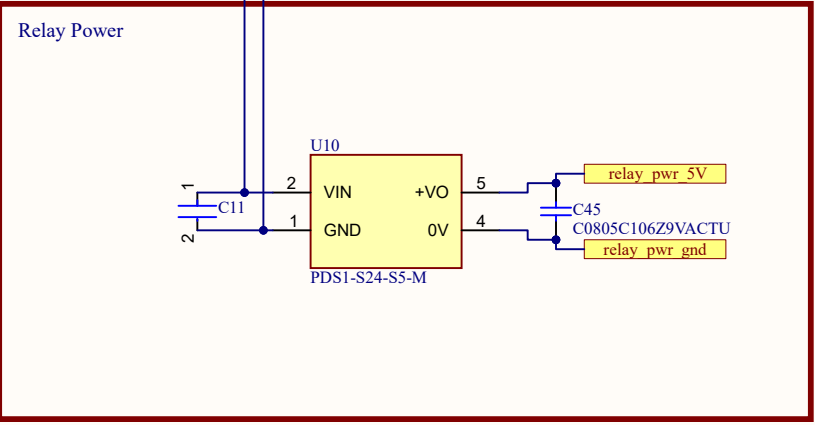
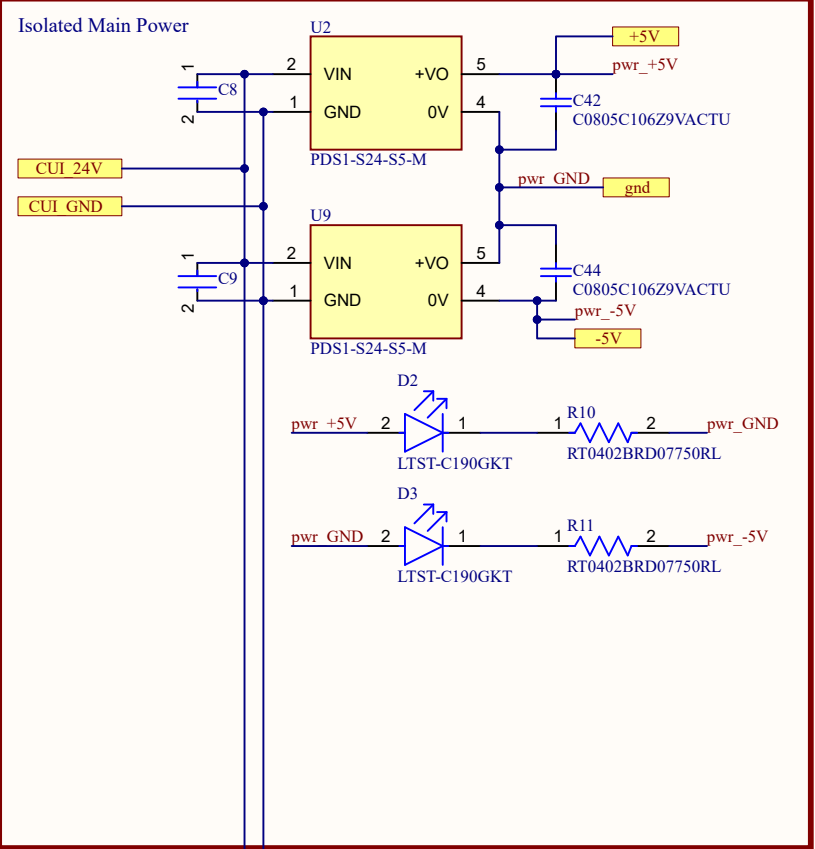
KEMET Electronics Corporation	
DRAWING TITLE: Kemet IR Tester	
DRAWING NO: pA.SchDoc	REV: H

These Drawings and Specifications are the Property of Kemet Electronics Corp. Greenville, SC and shall not be Reproduced, Copied, or Used as the basis for the Manufacture or Sale of Apparatus or Devices without Permission.

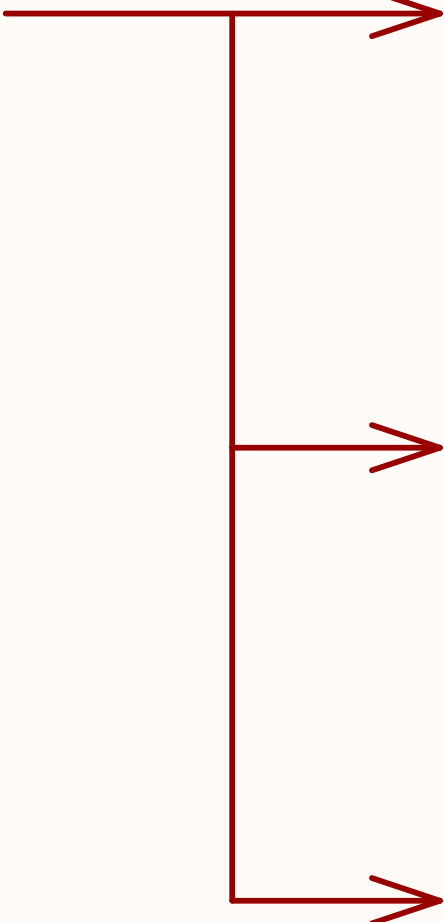


KEMET Electronics Corporation	
DRAWING TITLE: Kemet IR Tester	
DRAWING NO: pA_Relay.SchDoc	REV: H

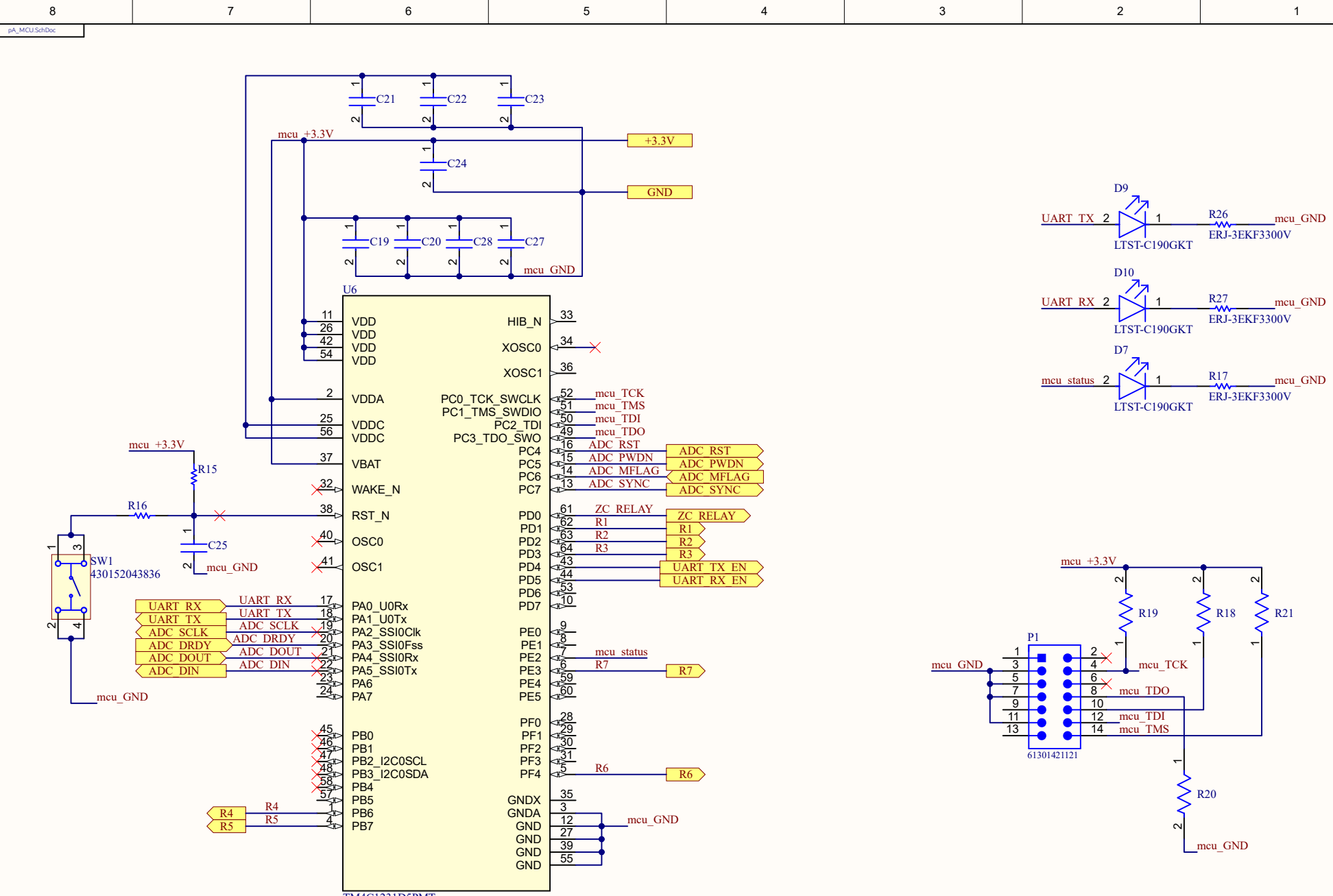
These Drawings and Specifications are the Property of Kemet Electronics Corp. Greenville, SC and shall not be Reproduced, Copied, or Used as the basis for the Manufacture or Sale of Apparatus or Devices without Permission.



KEMET Electronics Corporation	
DRAWING TITLE: Kemet IR Tester	
DRAWING NO: pA_Power.SchDoc	REV: H



These Drawings and Specifications are the Property of Kemet Electronics Corp. Greenville, SC and shall not be Reproduced, Copied, or Used as the basis for the Manufacture or Sale of Apparatus or Devices without Permission.

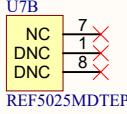
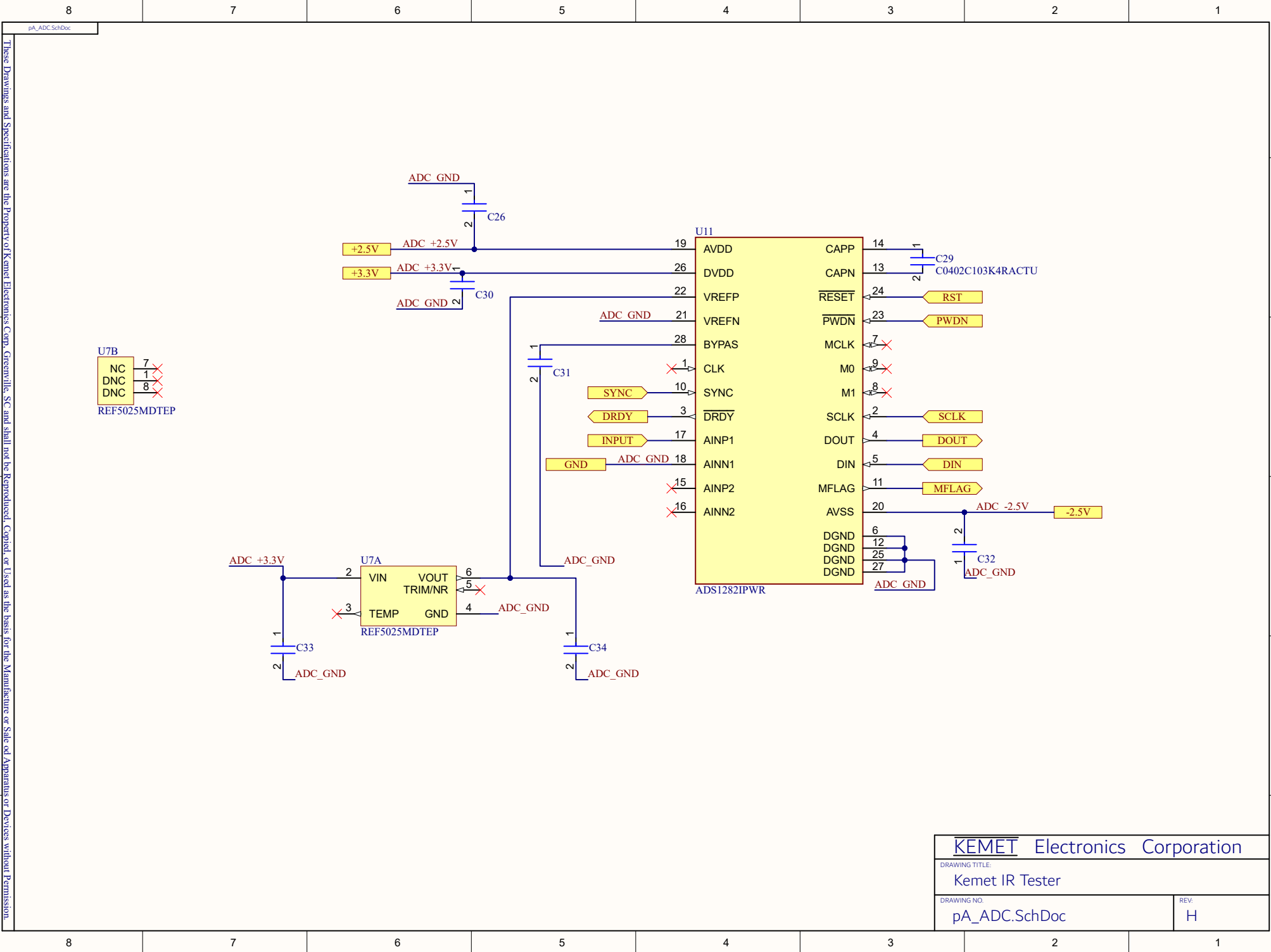


KEMET Electronics Corporation

DRAWING TITLE:
Kemet IR Tester

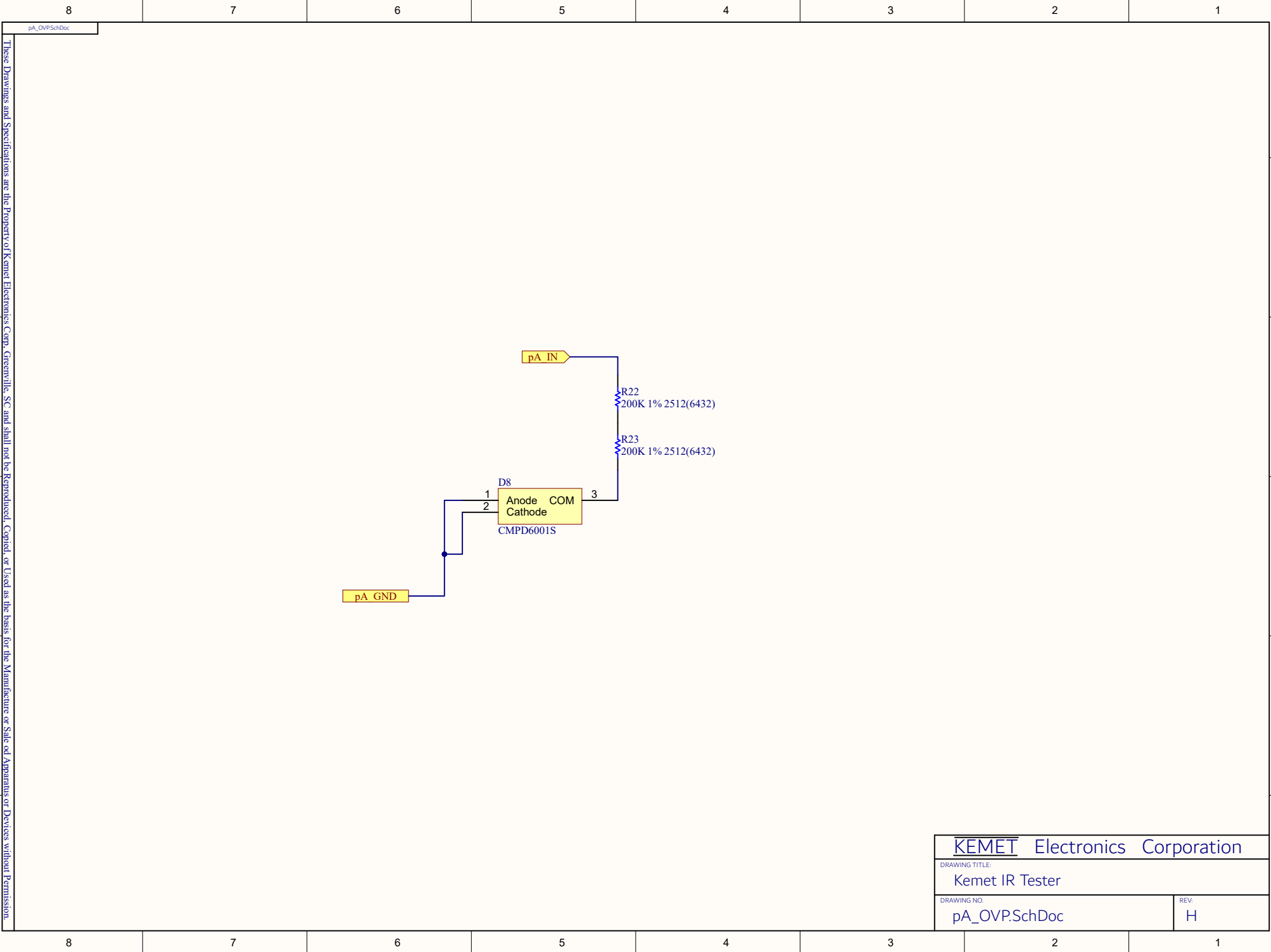
DRAWING NO:
pA_MCU.SchDoc

REV:
H



KEMET Electronics Corporation	
DRAWING TITLE: Kemet IR Tester	
DRAWING NO: pA_ADC.SchDoc	REV: H

These Drawings and Specifications are the Property of Kemet Electronics Corp. Greenville, SC and shall not be Reproduced, Copied, or Used as the basis for the Manufacture or Sale of Apparatus or Devices without Permission.



These Drawings and Specifications are the Property of Kemet Electronics Corp. Greenville, SC and shall not be Reproduced, Copied, or Used as the basis for the Manufacture or Sale of Apparatus or Devices without Permission.

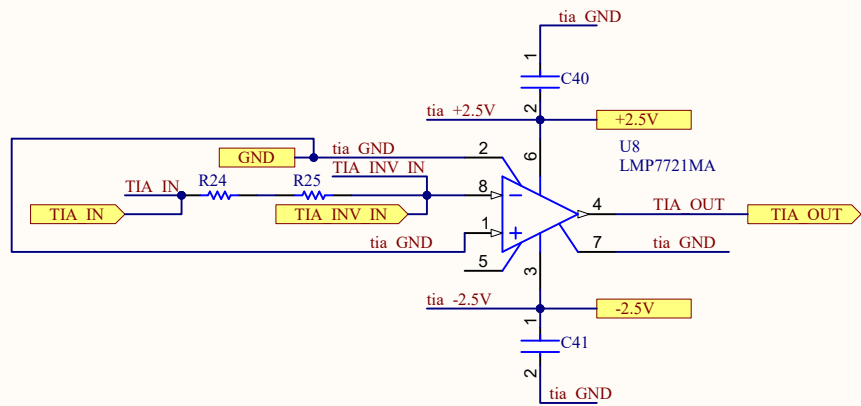
KEMET Electronics Corporation	
DRAWING TITLE: Kemet IR Tester	
DRAWING NO: pA_OVPSchDoc	REV: H

8
7
6
5
4
3
2
1

pA_TIA.SchDoc

These Drawings and Specifications are the Property of Kemet Electronics Corp. Greenville, SC and shall not be Reproduced, Copied, or Used as the basis for the Manufacture or Sale of Apparatus or Devices without Permission.

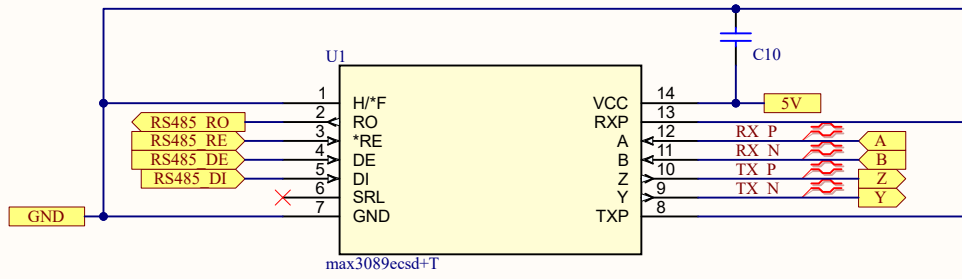
F
E
D
C
B
A



KEMET Electronics Corporation	
DRAWING TITLE: Kemet IR Tester	
DRAWING NO: pA_TIA.SchDoc	REV: H

These Drawings and Specifications are the Property of Kemet Electronics Corp. Greenville, SC and shall not be Reproduced, Copied, or Used as the basis for the Manufacture or Sale of Apparatus or Devices without Permission.

- △ H/F --- Half/Full Duplex Selector Pin
- RO --- Receiver Output.
- RE --- Receiver Output Enable.
- DE --- Driver Output Enable.
- DI --- Driver Input.
- SRL --- Slew Rate Limit Selector Pin
- GND --- Ground
- TXP --- Transmitter Phase.
- Y --- Noninverting Driver Output
- Z --- Inverting Driver Output
- B --- Inverting Receiver Input
- A --- Noninverting Receiver Input
- RXP --- Receiver Phase
- VCC --- 4.75V to 5.25V



KEMET Electronics Corporation	
DRAWING TITLE: Kemet IR Tester	
DRAWING NO: pA_RS485.SchDoc	REV: H