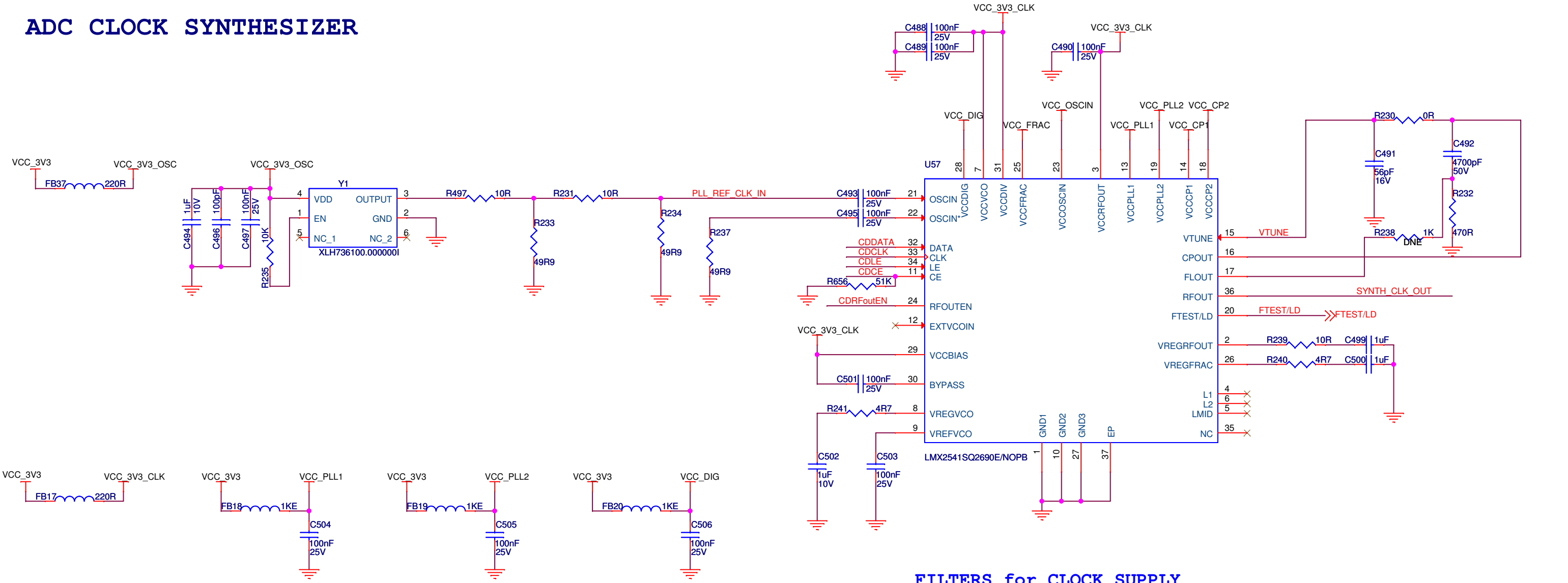


ADC CLOCK SYNTHESIZER

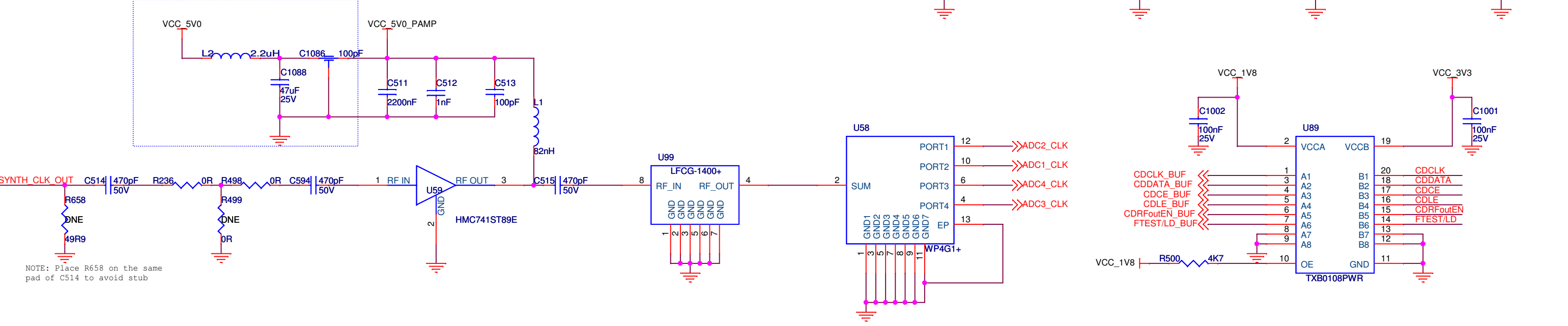


FILTERS for CLOCK SUPPLY



CLOCK AMPLIFIER & SPLITTER

Amplifier Bias voltage noise filter circuit



NOTE: Place R658 on the same pad of C514 to avoid stub