

Switches & LEDs  
SHEET 2

RX OPTIC MODULE  
SHEET 3

FMC CONN – DAC  
SHEET 5

USB  
SHEET 7

TLK3101  
SHEET 9

TX OPTIC MODULE  
SHEET 4

FMC CONN – ADC  
SHEET 6

CPLD  
SHEET 8

POWER SUPPLIES  
SHEET 10

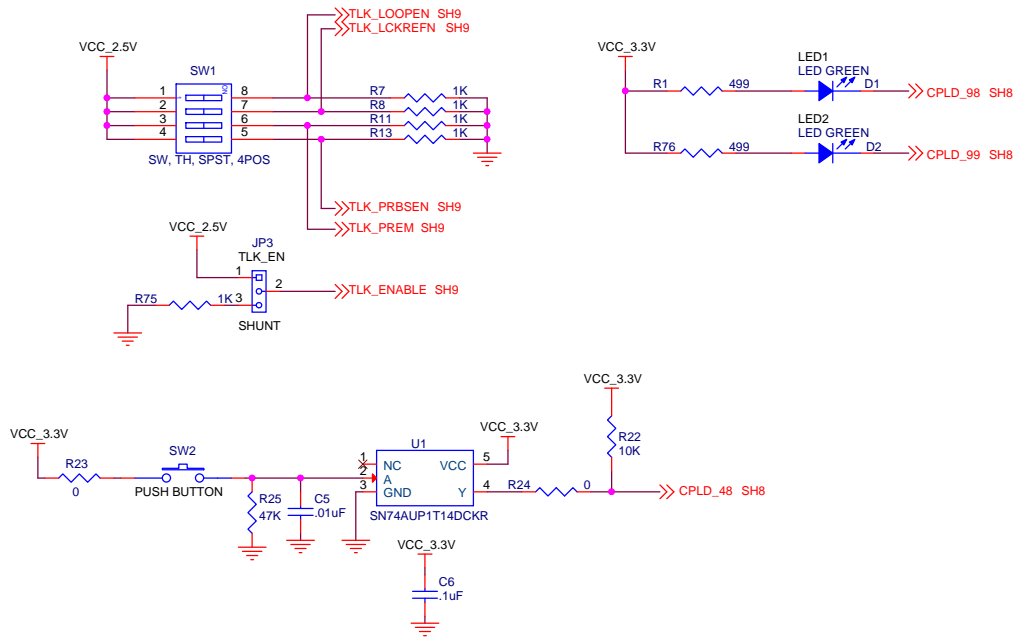
NOTE: DNI = DO NOT INSTALL COMPONENT.




Title SCH, FMC – OPTICAL ADC/DAC

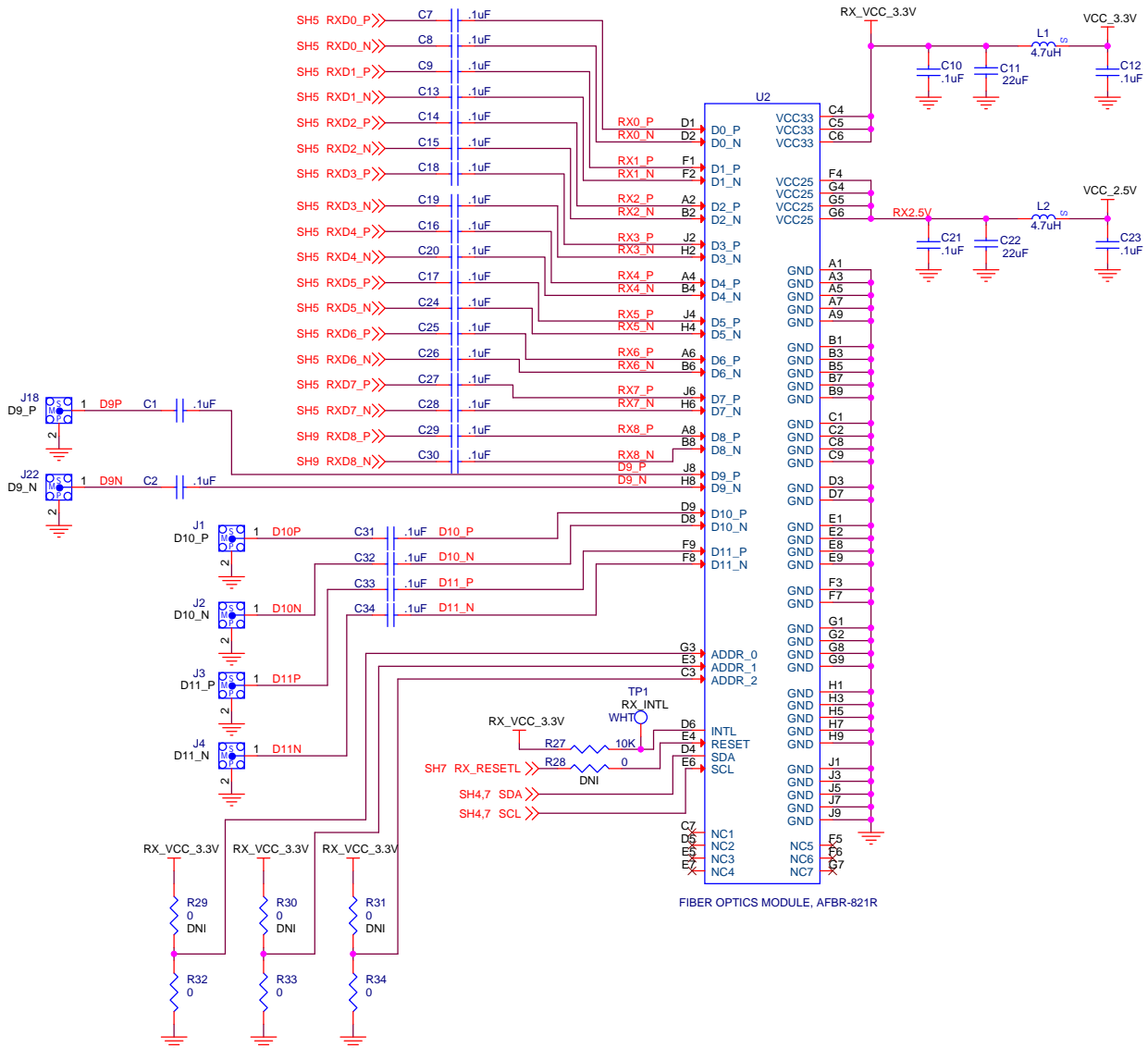
Engineer: M Guibord 8-2014	Size B	Document Number	Rev A
PCB: JV Smith 8-2014	Date: Tuesday, September 16, 2014	Sheet 1 of 10	

**BLOCK DIAGRAM**



 **TEXAS INSTRUMENTS**

Title		
<b>SCH, FMC - OPTICAL ADC/DAC</b>		
Size	Document Number	Rev
<b>B</b>	<b>LEDS &amp; SWITCHES</b>	<b>A</b>
Date:	Tuesday, September 16, 2014	Sheet 2 of 10

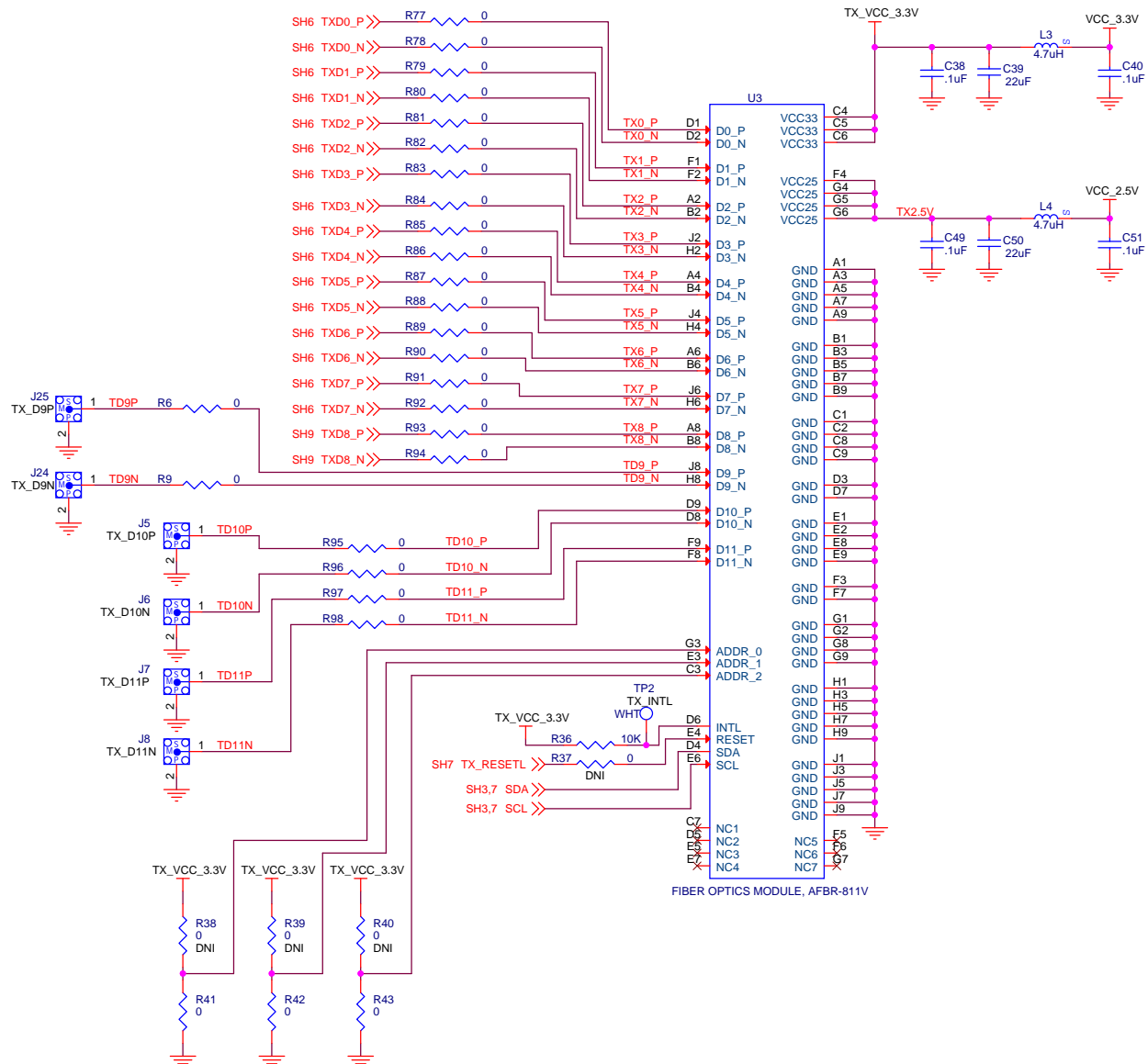


**TEXAS INSTRUMENTS**

Title: **SCH, FMC - OPTICAL ADC/DAC**

Size: **B** Document Number: **RX FIBER OPTIC MODULE** Rev: **A**

Date: **Tuesday, September 16, 2014** Sheet: **3** of **10**

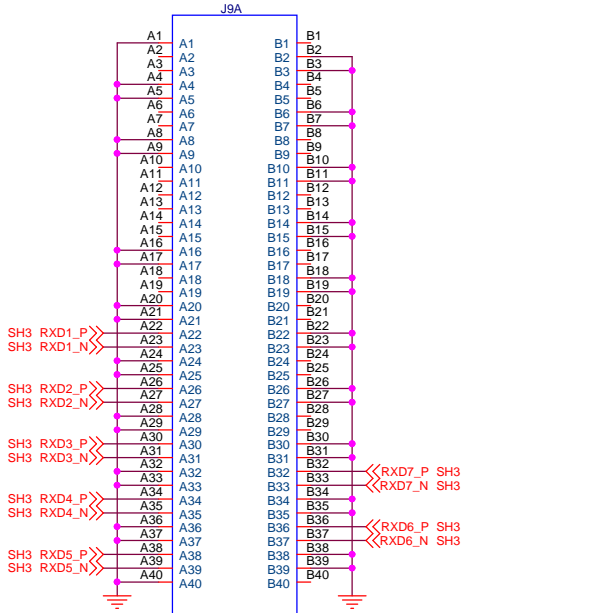


**TEXAS INSTRUMENTS**

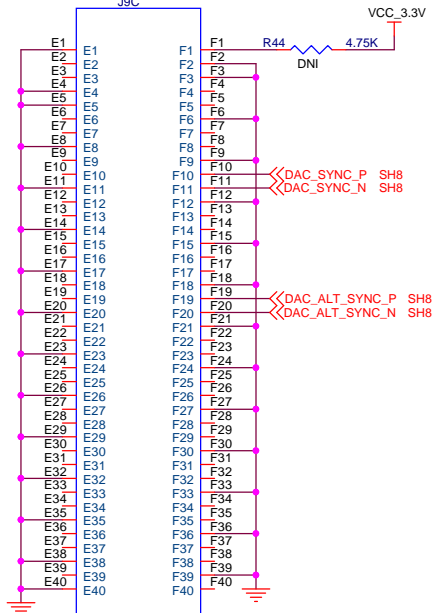
Title: **SCH, FMC - OPTICAL ADC/DAC**

Size: **B** Document Number: **TX FIBER OPTIC MODULE** Rev: **A**

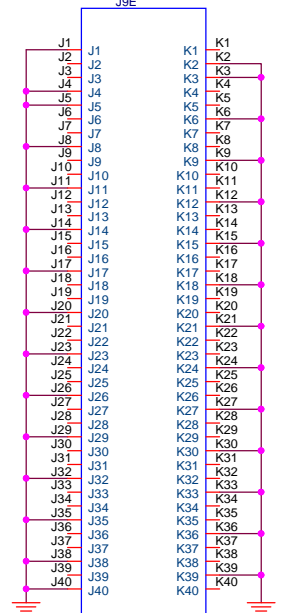
Date: **Tuesday, September 16, 2014** Sheet: **4** of **10**



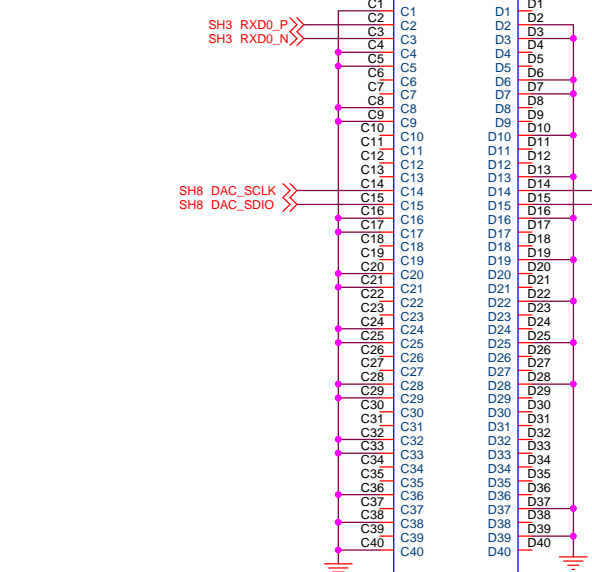
CON, SMVT, HS, FIELD ARRAY, FMC, FEMALE



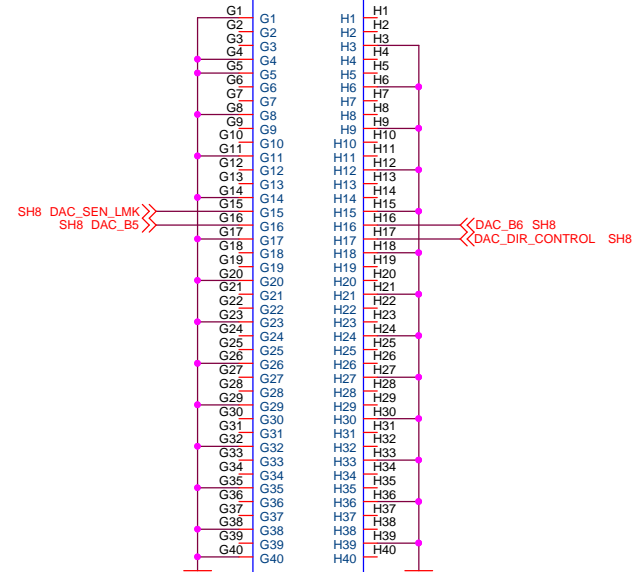
CON, SMVT, HS, FIELD ARRAY, FMC, FEMALE



CON, SMVT, HS, FIELD ARRAY, FMC, FEMALE



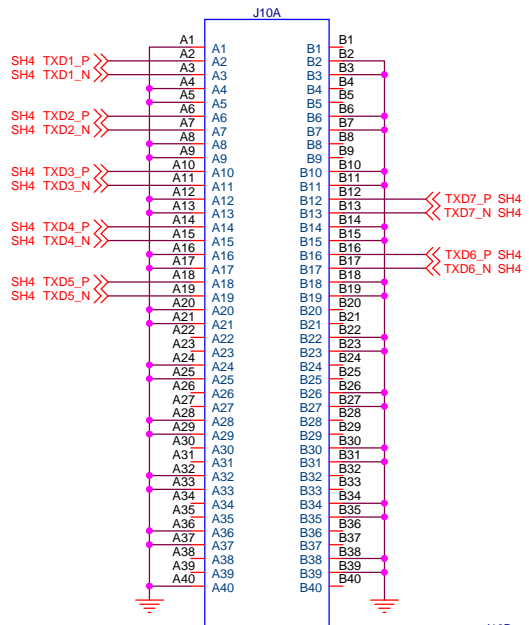
CON, SMVT, HS, FIELD ARRAY, FMC, FEMALE



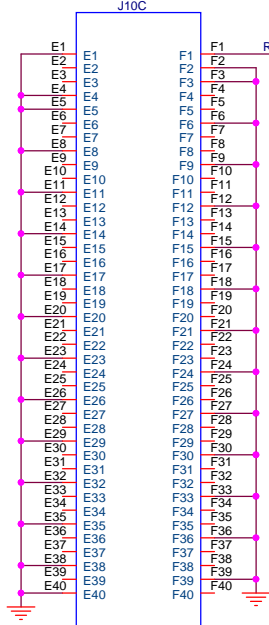
CON, SMVT, HS, FIELD ARRAY, FMC, FEMALE



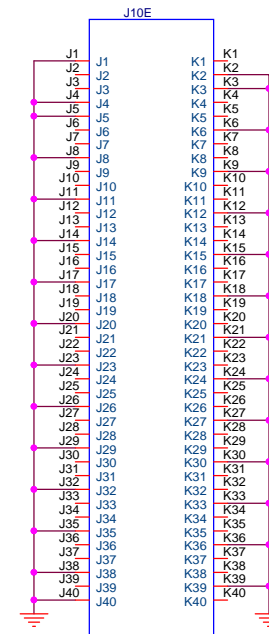
Title		
SCH, FMC - OPTICAL ADC/DAC		
Size	Document Number	Rev
B	FMC CONNECTOR - DAC	A
Date:	Tuesday, September 16, 2014	Sheet 5 of 10



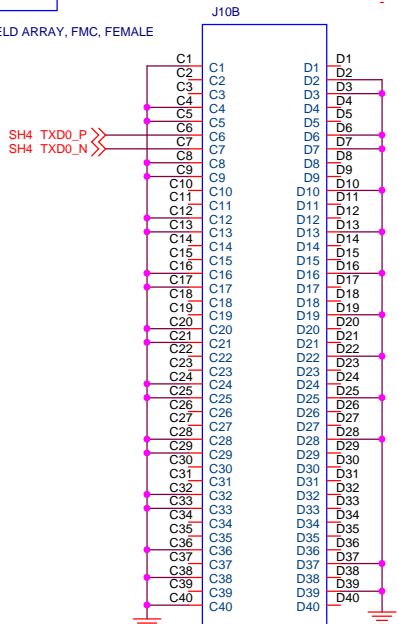
CON, SMVT, HS, FIELD ARRAY, FMC, FEMALE



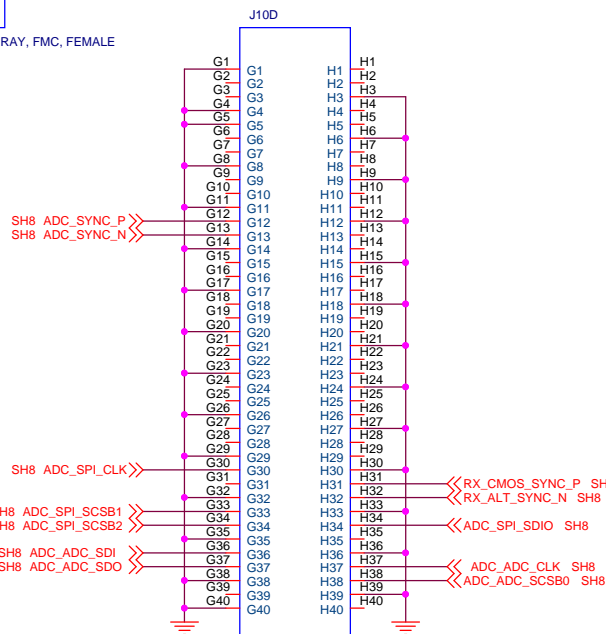
CON, SMVT, HS, FIELD ARRAY, FMC, FEMALE



CON, SMVT, HS, FIELD ARRAY, FMC, FEMALE



CON, SMVT, HS, FIELD ARRAY, FMC, FEMALE



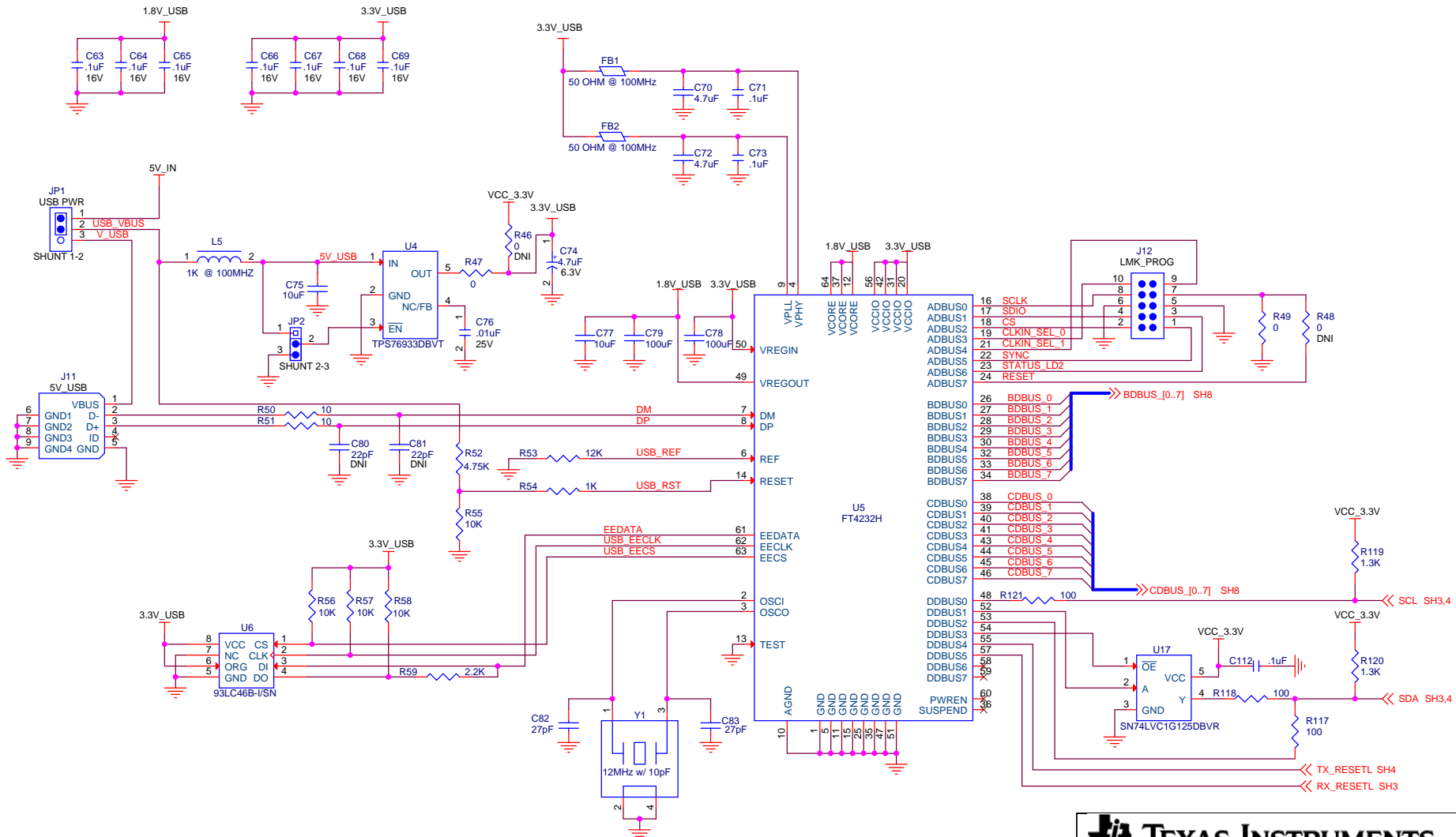
CON, SMVT, HS, FIELD ARRAY, FMC, FEMALE

**TEXAS INSTRUMENTS**

Title: **SCH, FMC - OPTICAL ADC/DAC**

Size: **B** Document Number: **FMC CONNECTOR - ADC** Rev: **A**

Date: **Tuesday, September 16, 2014** Sheet: **6** of **10**

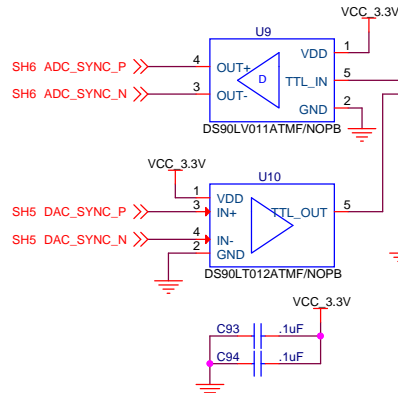
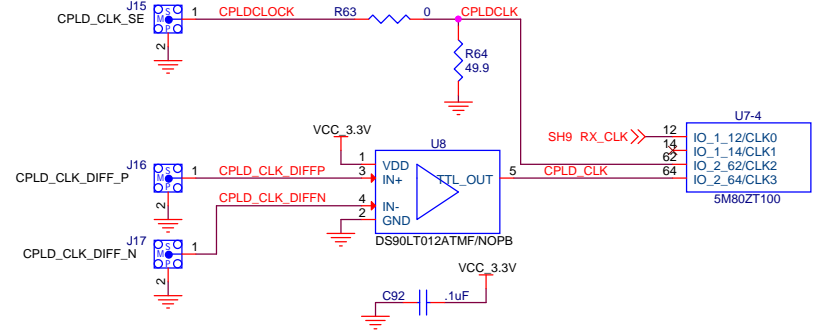
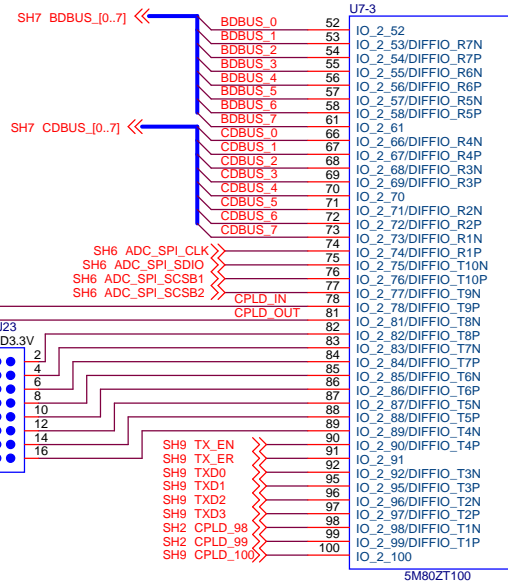
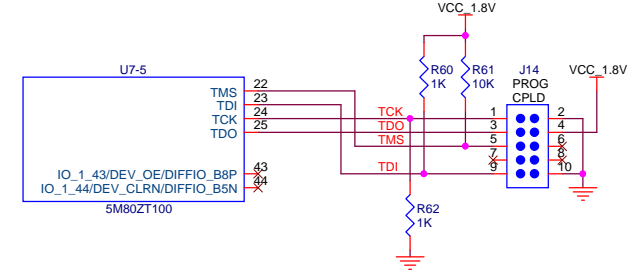
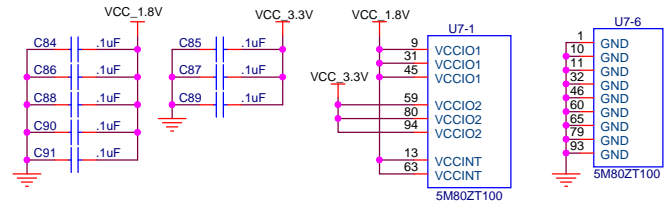
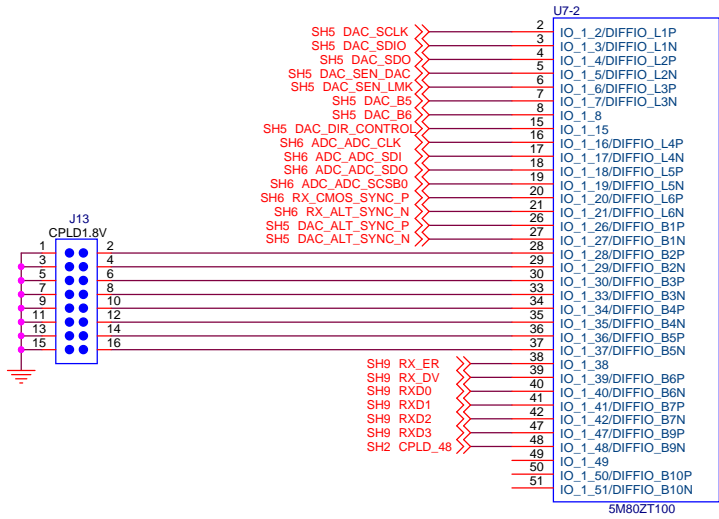


**TEXAS INSTRUMENTS**

Title: **SCH, FMC - OPTICAL ADC/DAC**

Size B Document Number **USB IF** Rev **A**

Date: Saturday, September 27, 2014 Sheet 7 of 10



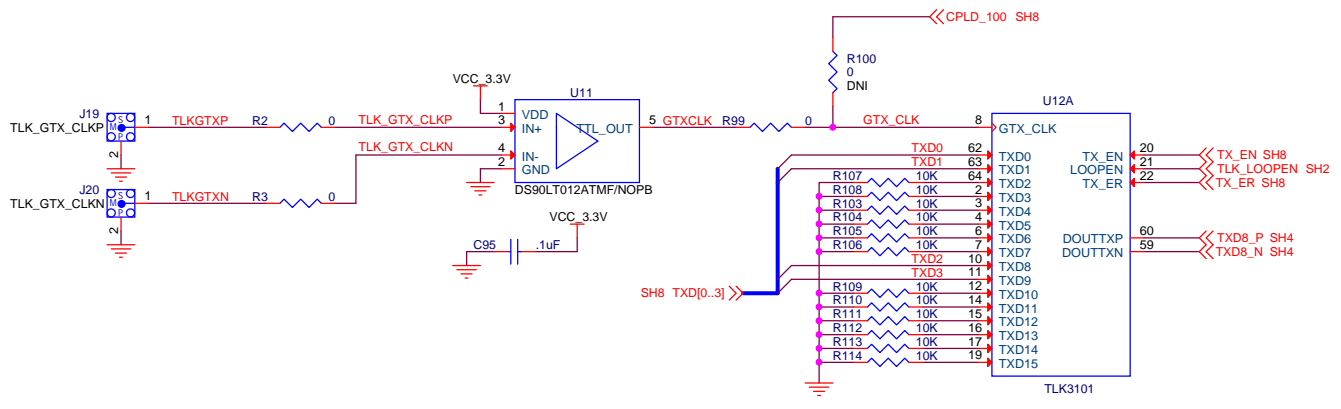
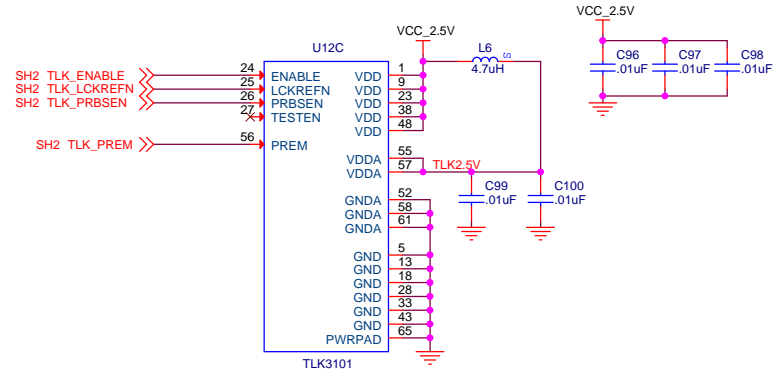
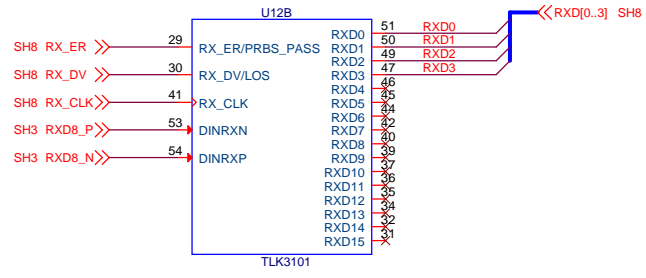
**TEXAS INSTRUMENTS**

Title: **SCH, FMC - OPTICAL ADC/DAC**

Size **B** Document Number **CPLD** Rev **A**

Date: Tuesday, September 16, 2014 Sheet 8 of 10





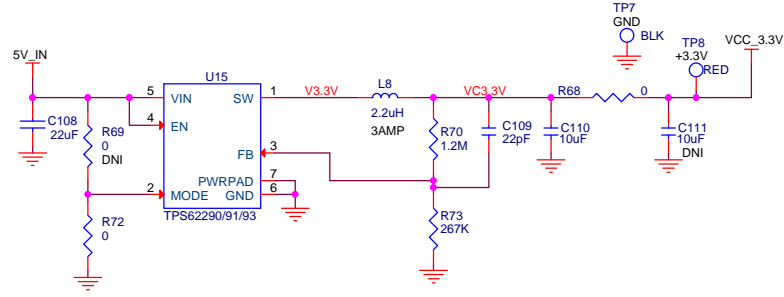
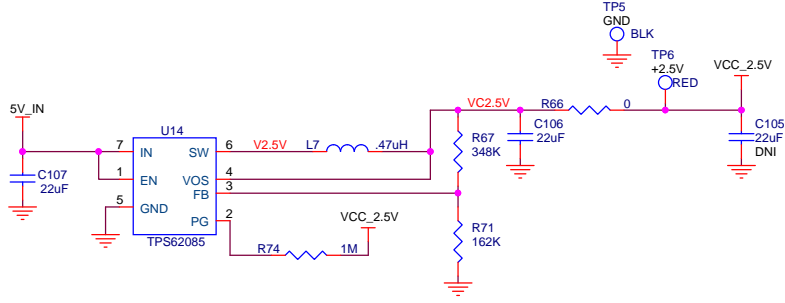
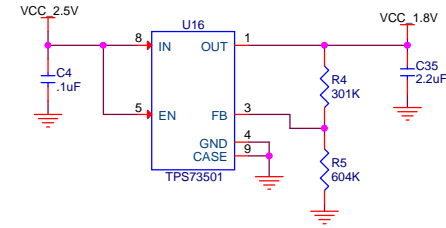
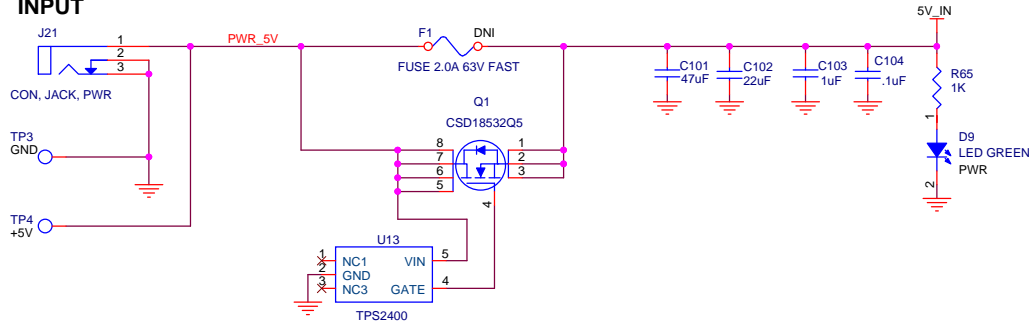
**TEXAS INSTRUMENTS**

Title: **SCH, FMC - OPTICAL ADC/DAC**

Size **B** Document Number **TRANSCEIVER** Rev **A**

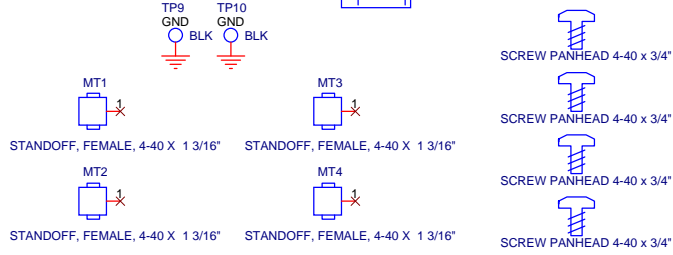
Date: Friday, September 26, 2014 Sheet 9 of 10

**5V DC INPUT**



**MECHANICAL PARTS**

BARE BOARD, FMC - OPTICAL ADC/DAC



2.5V TX=365mA RX=525mA TLK=250mA

3.3V TX=185mA RX=90mA

**3.3V, 2.5V**

<b>TEXAS INSTRUMENTS</b>		
<b>SCH, FMC - OPTICAL ADC/DAC</b>		
Size <b>B</b>	Document Number <b>MAIN POWER</b>	Rev <b>A</b>
Date: Tuesday, September 16, 2014	Sheet 10	of 10