

FMC CONN
SHEET 5

RX OPTIC MODULE
SHEET 3

TX OPTIC MODULE
SHEET 4

USB
SHEET 6

POWER SUPPLIES
SHEET 2

NOTE: DNI = DO NOT INSTALL COMPONENT.

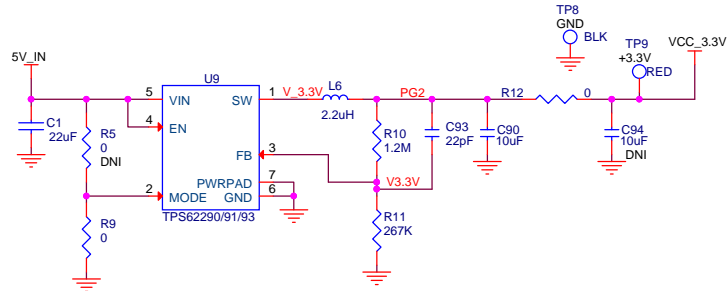
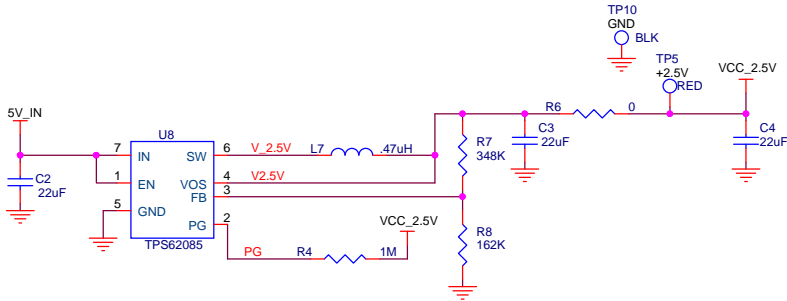
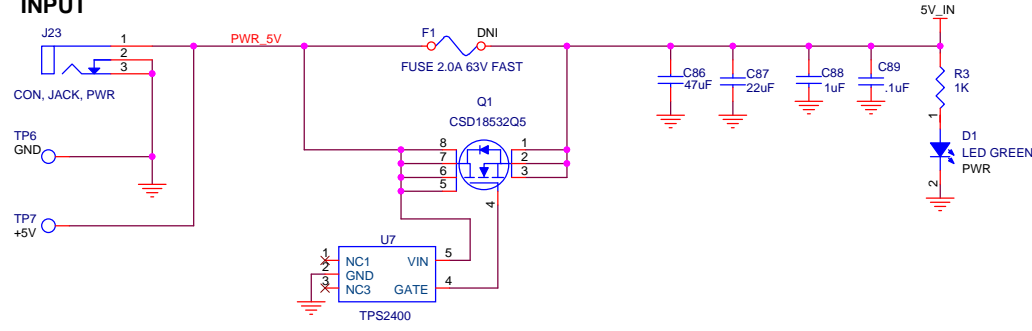


SCH, FMC - OPTICAL FPGA		
Title		
Size	Document Number	Rev
B	BLOCK DIAGRAM	A

Engineer: M Guibord 8-2014
PCB: JV Smith 8-2014

Date: Thursday, August 28, 2014	Sheet 1 of 6
---------------------------------	--------------

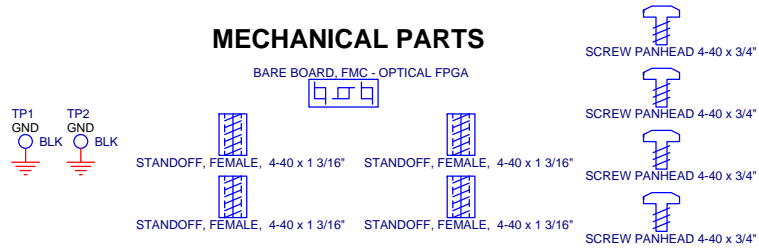
5V DC INPUT



2.5V TX=365mA
RX=525mA

3.3V TX=185mA
RX=90mA

MECHANICAL PARTS



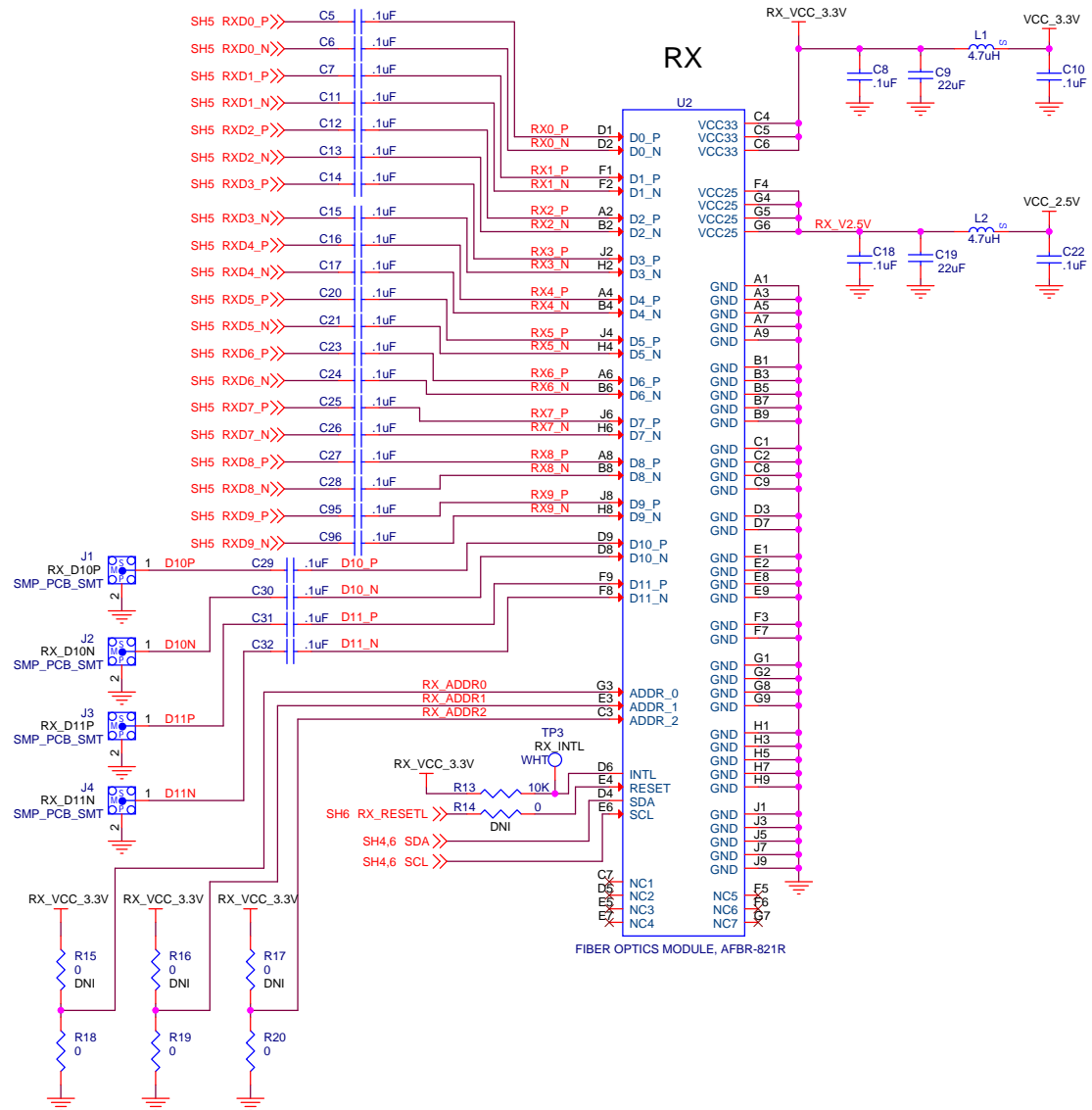
3.3V, 2.5V

TEXAS INSTRUMENTS

Title: **SCH, FMC - OPTICAL FPGA**

Size: **B** Document Number: **MAIN POWER** Rev: **A**

Date: **Friday, September 05, 2014** Sheet: **2** of **6**

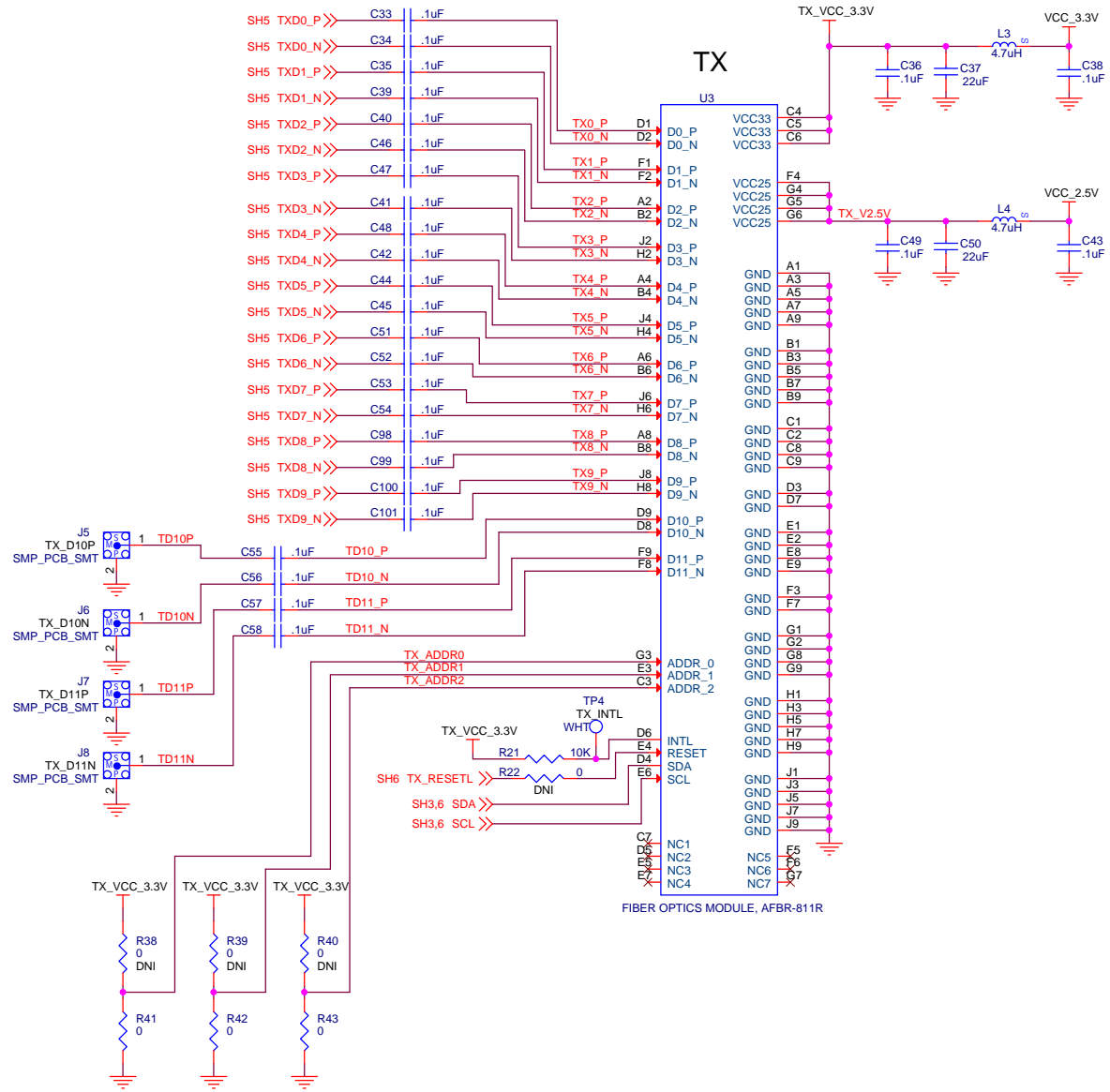


TEXAS INSTRUMENTS

Title: **SCH, FMC - OPTICAL FPGA**

Size: **B** Document Number: **RX FIBER OPTIC MODULE** Rev: **A**

Date: Thursday, September 04, 2014 Sheet 3 of 6

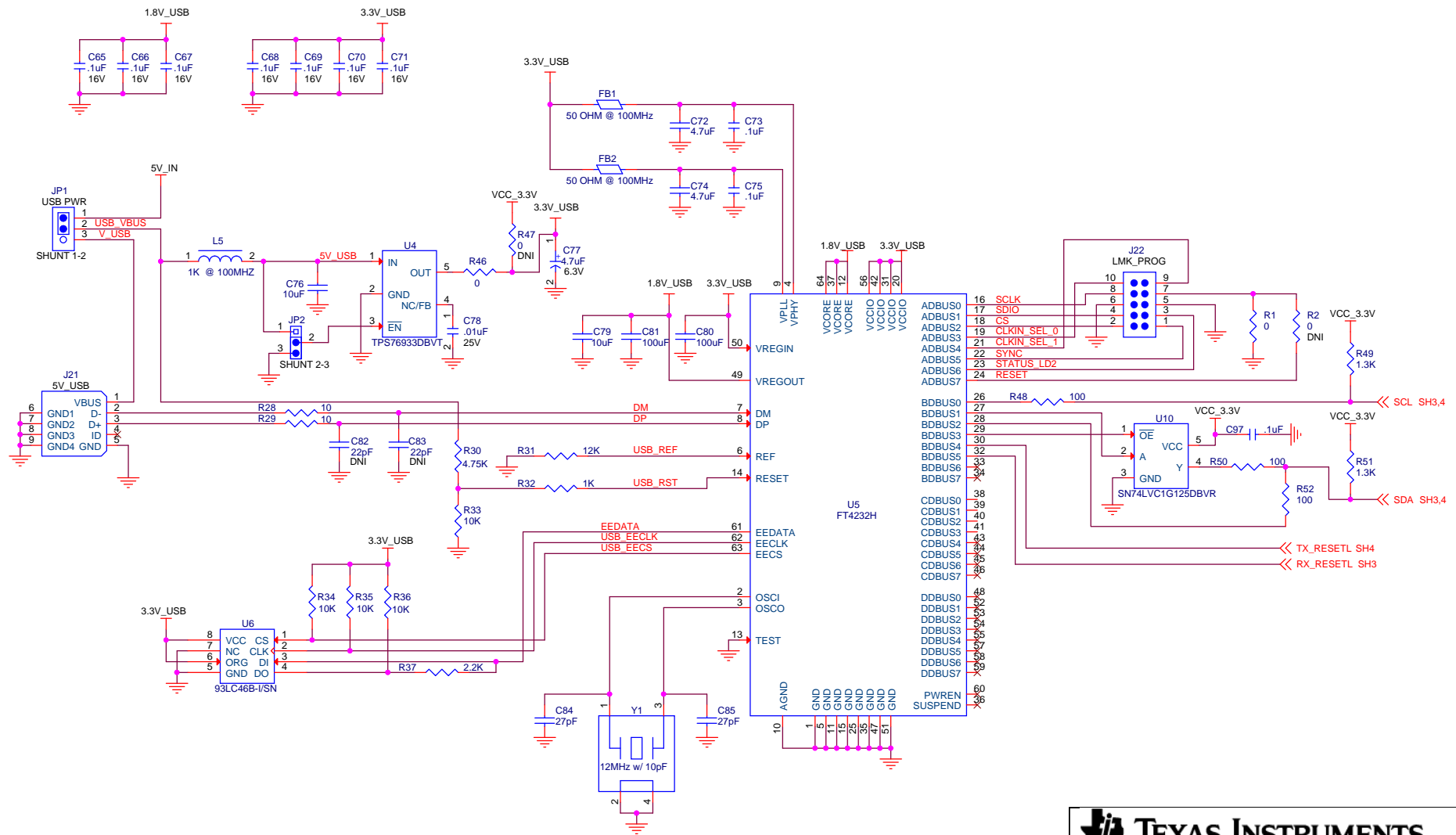



TEXAS INSTRUMENTS

Title: **SCH, FMC - OPTICAL FPGA**

Size: **B** Document Number: **TX FIBER OPTIC MODULE** Rev: **A**

Date: Thursday, September 04, 2014 Sheet 4 of 6




TEXAS INSTRUMENTS

Title		
SCH, FMC - OPTICAL FPGA		
Size	Document Number	Rev
B	USB IF	A
Date:	Thursday, September 04, 2014	Sheet 6 of 6