


CHKD :	APPD :		
CARD NAME : OTDR CARD		ISSUE :	REV :
CIRCUIT SCHEMATICS		01	00
DWG.NO. : APC-OTDR (CS)			
 CENTRE FOR DEVELOPMENT OF TELEMATICS-DELHI		DATE: 15-03-2022	
		SHEET: 16 OF 32	

A

A

B

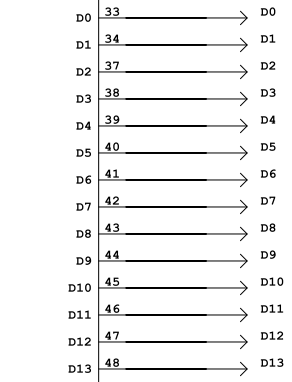
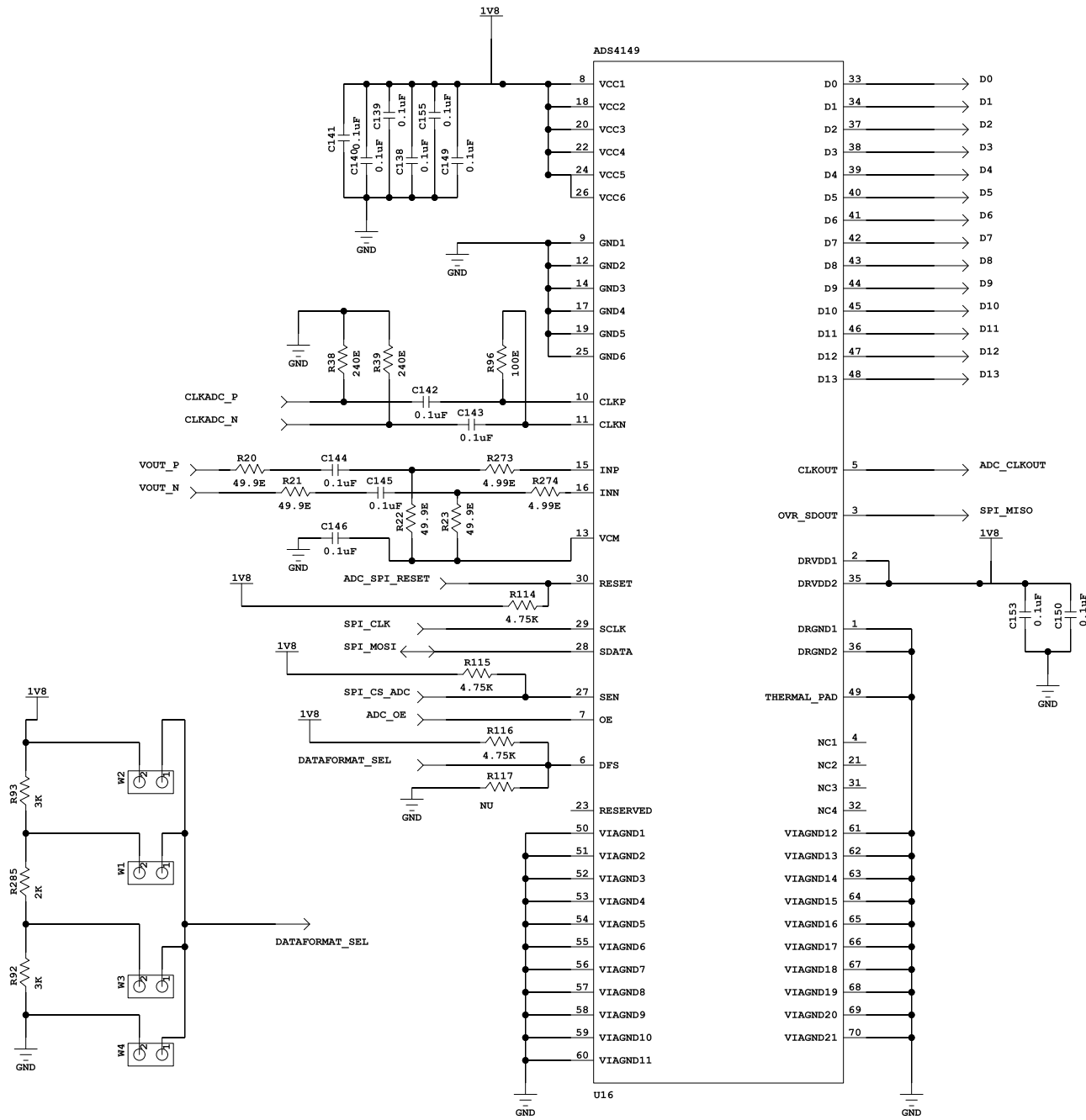
B

C

C

D

D



CHKD :	APPD :		
CARD NAME : OTDR CARD		ISSUE :	REV :
CIRCUIT SCHEMATICS		01	00
DWG.NO. : APC-OTDR (CS)			
CENTRE FOR DEVELOPMENT OF TELEMATICS-DELHI C-DOT			DATE: 15-03-2022
			SHEET: 17 OF 32

1

2

3

4

5

6