

A

A

B

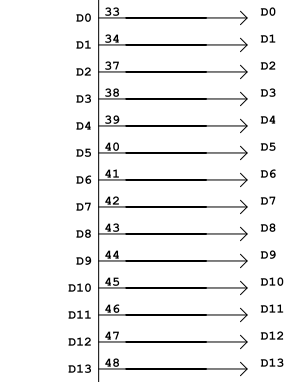
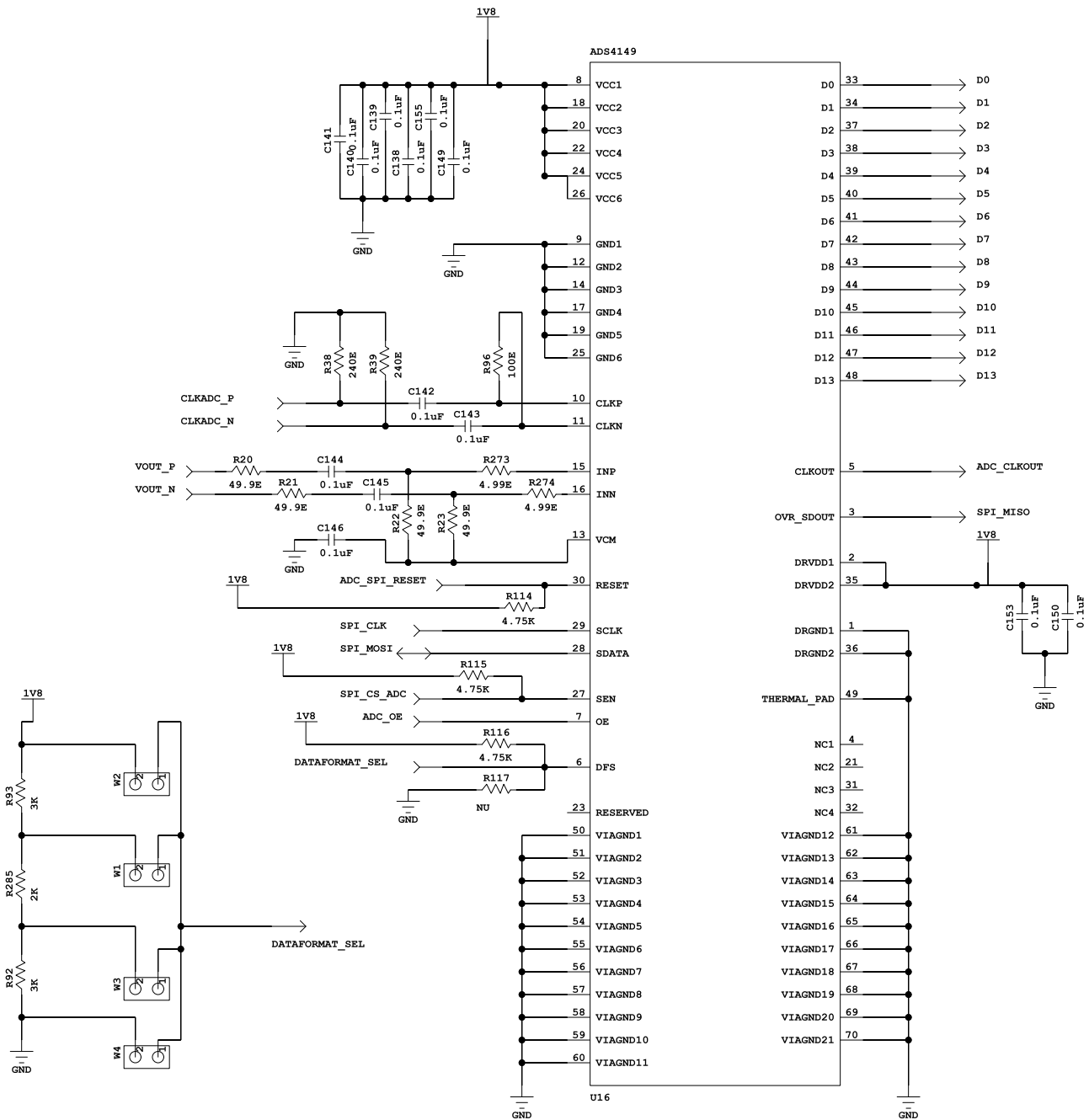
B


C

C

D

D



CHKD:	APPD:		
CARD NAME: OTDR CARD		ISSUE: 01	REV: 00
CIRCUIT SCHEMATICS			
DWG.NO.: APC-OTDR (CS)			
 CENTRE FOR DEVELOPMENT OF TELEMATICS-DELHI		DATE: 15-03-2022	
		SHEET: 17 OF 32	