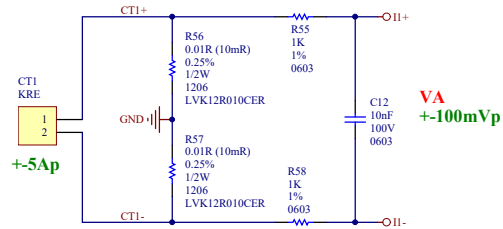


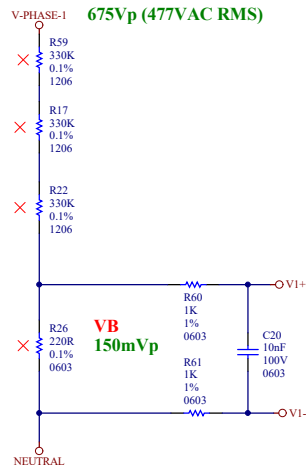
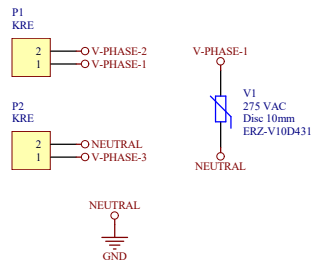
Current transformers (CTs) that can be used:

- 100A : 5A (attenuation of 20x)
- 250A : 5A (attenuation of 50x)
- 500A : 5A (attenuation of 100x)
- 1000A : 5A (attenuation of 200x)
- 2000A : 5A (attenuation of 400x)

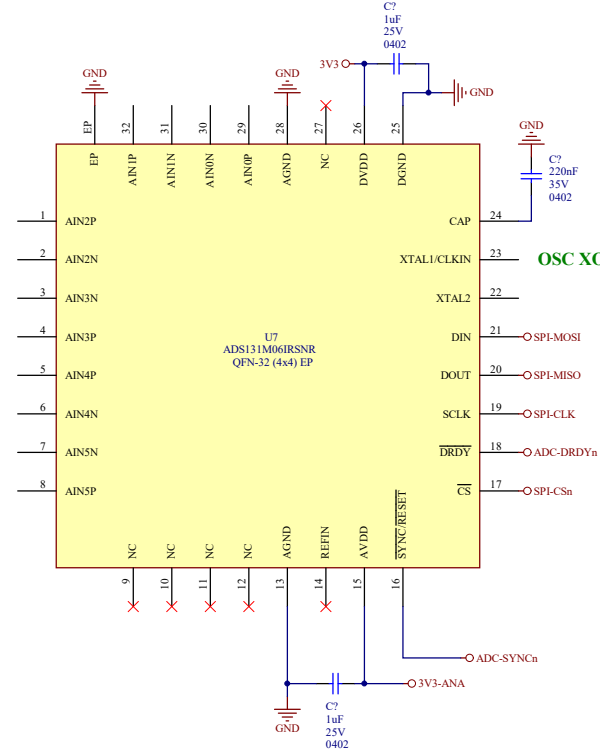
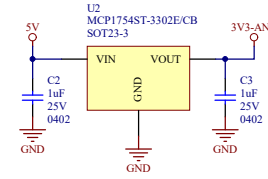
5A is to be the maximum instantaneous current at the output.



**VA
+~100mVp**



**VB
150mVp**



OSC XO 8.192 MHz HCMOS