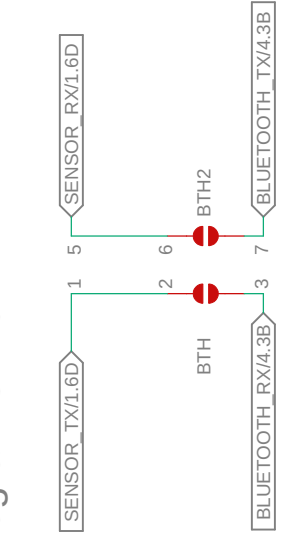
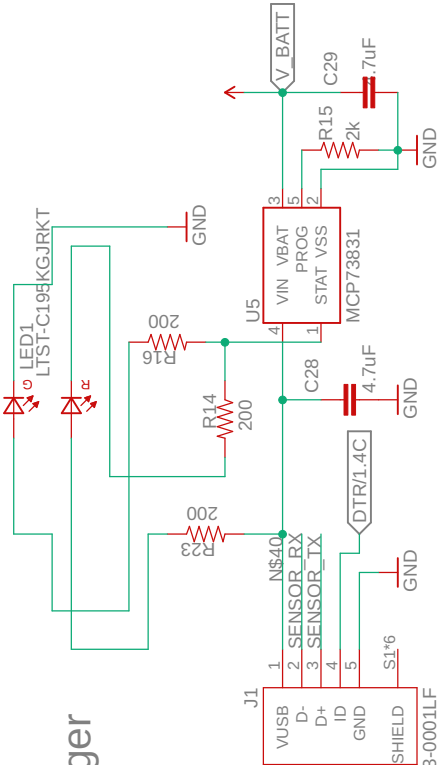


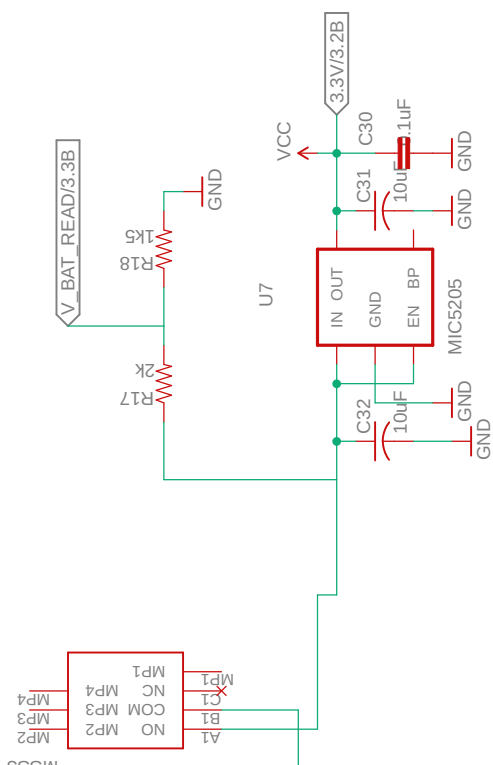
Program Switch



Charger



Power



Max Voltage Input: 16VDC
Max Current Output: 150mA

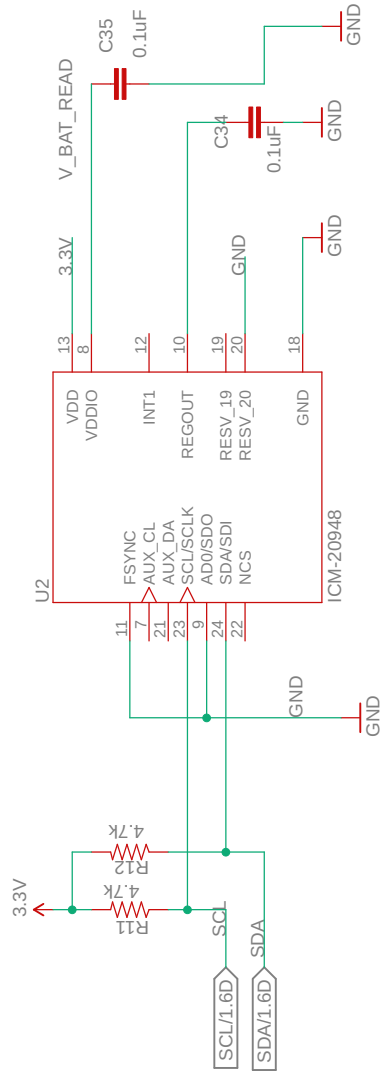
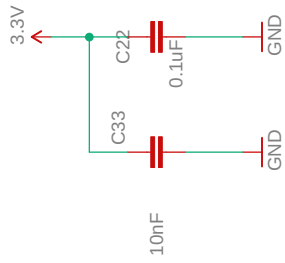
TITLE: PCB_EMG_MDR_v23

Document Number:

REV:

Date: 1/2/22 21:21

Sheet: 2/4

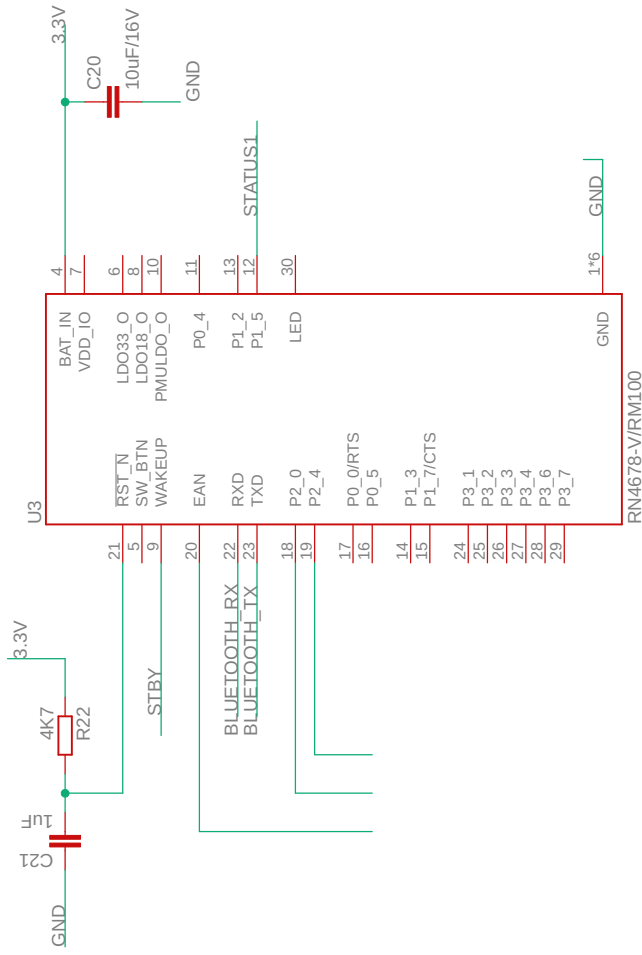


TITLE: PCB_EMG_MDR_v23

Document Number: REV:

Date: 1/2/22 21:21

Sheet: 3/4



TITLE: PCB_EMG_MDR_v23

Document Number:

REV:

Date: 1/2/22 21:21

Sheet: 4/4