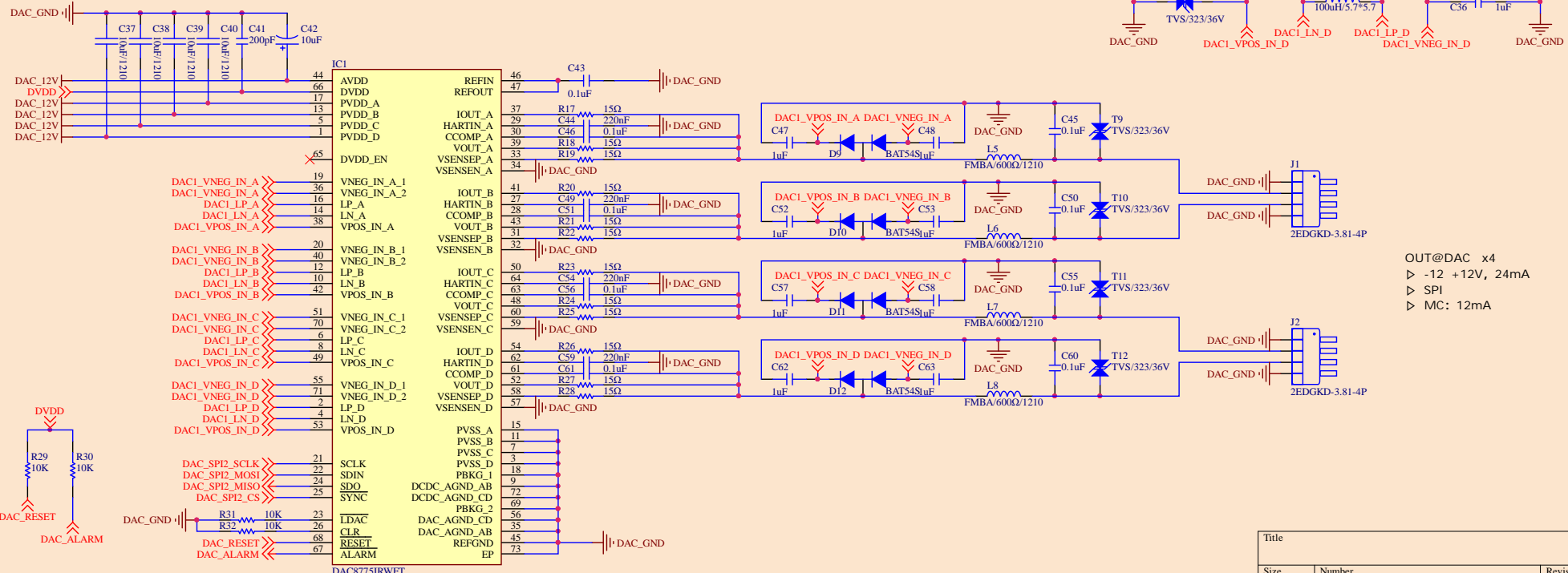
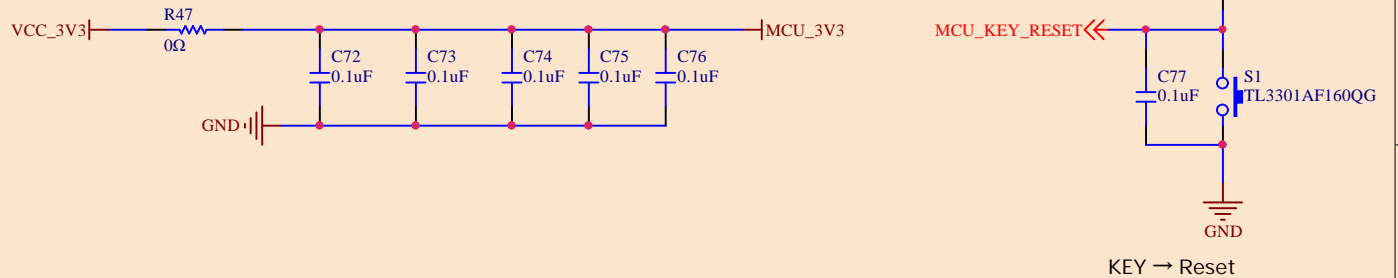
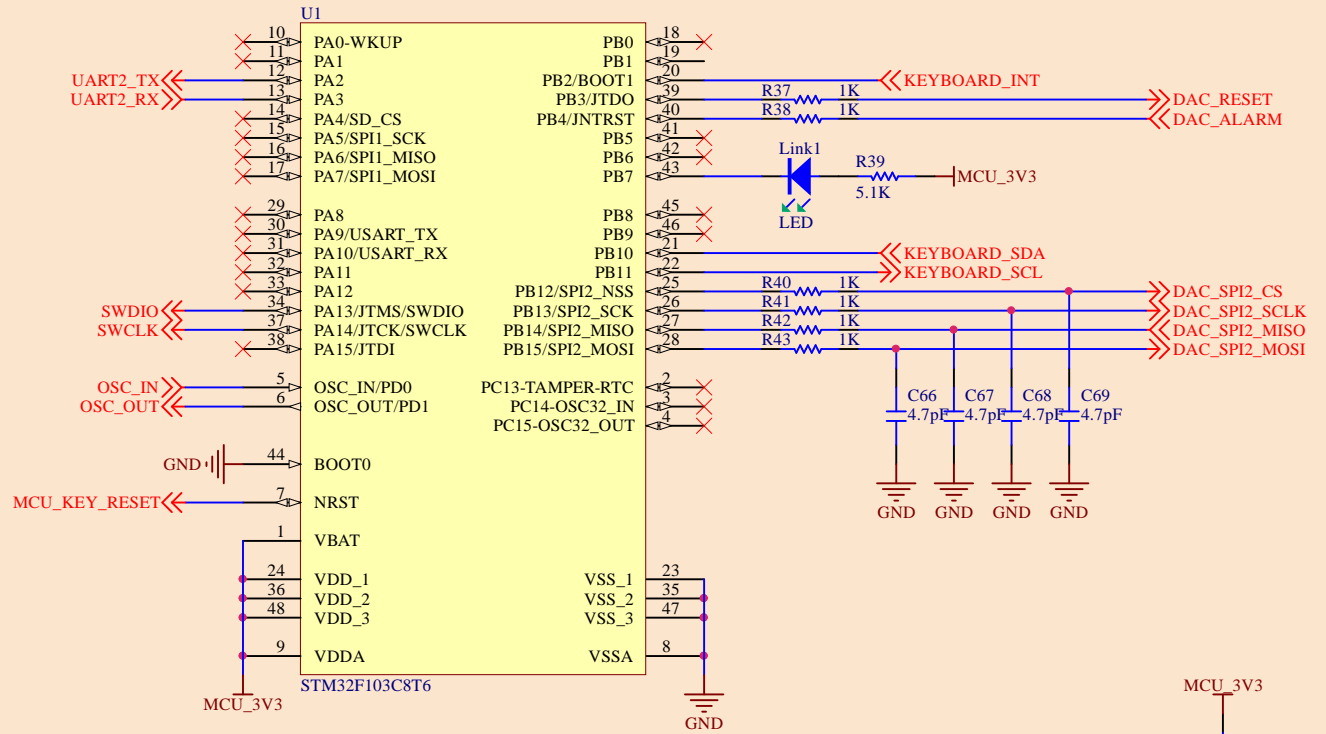
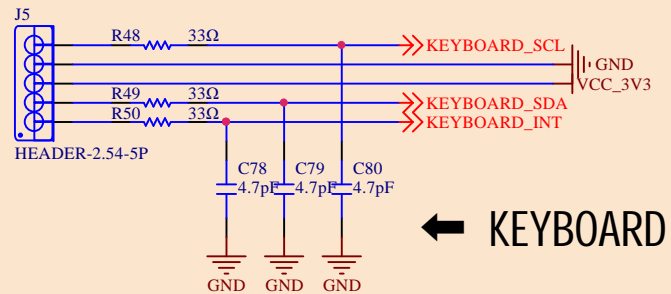
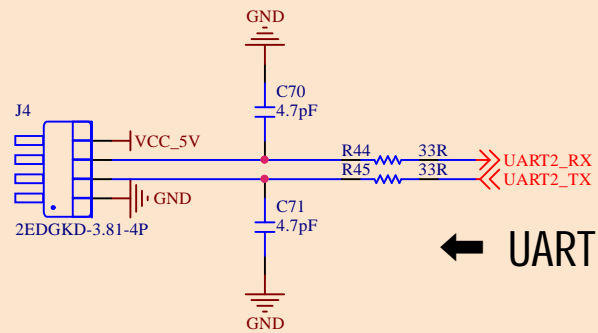
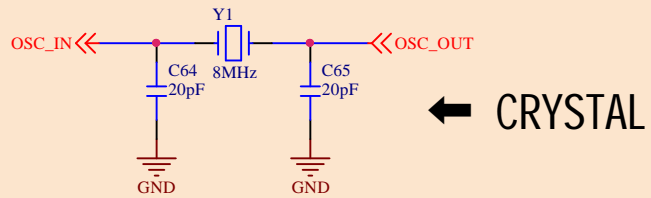
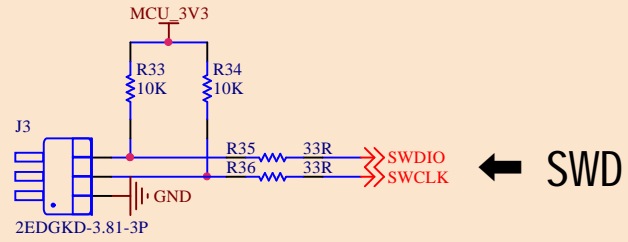


⚠ WARNING!
 ▷ These assemblies are ESD sensitive, ESD precautions shall be observed.
 ▷ These assemblies must be clean and free from flux and all contaminants. Use of no clean flux is not acceptable.

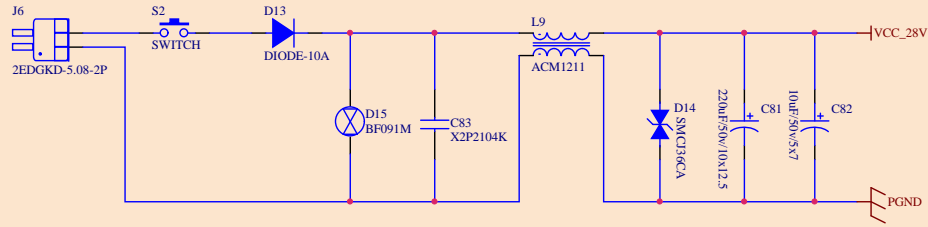


OUT>DAC x4
 ▷ -12 +12V, 24mA
 ▷ SPI
 ▷ MC: 12mA

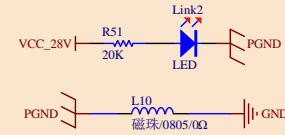
Title		
Size	Number	Revision
A3		
Date:	2020/7/13	Sheet of
File:	C:\Users\... \DAC.SchDoc	Drawn By:



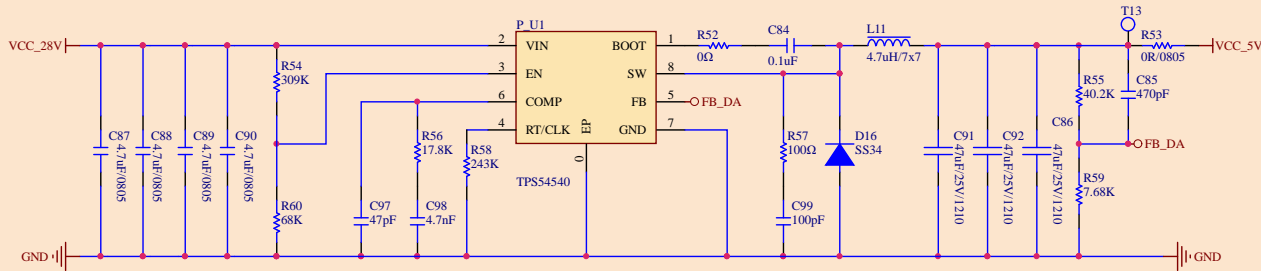
Title		
Size	Number	Revision
A4		
Date:	2020/7/13	Sheet of
File:	C:\Users\...\MCU.SchDoc	Drawn By:



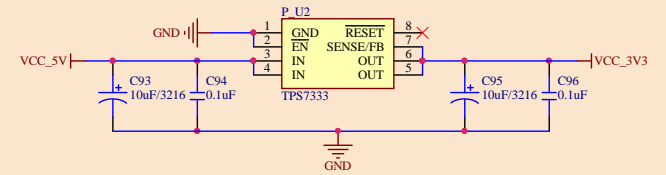
【 POWER 】



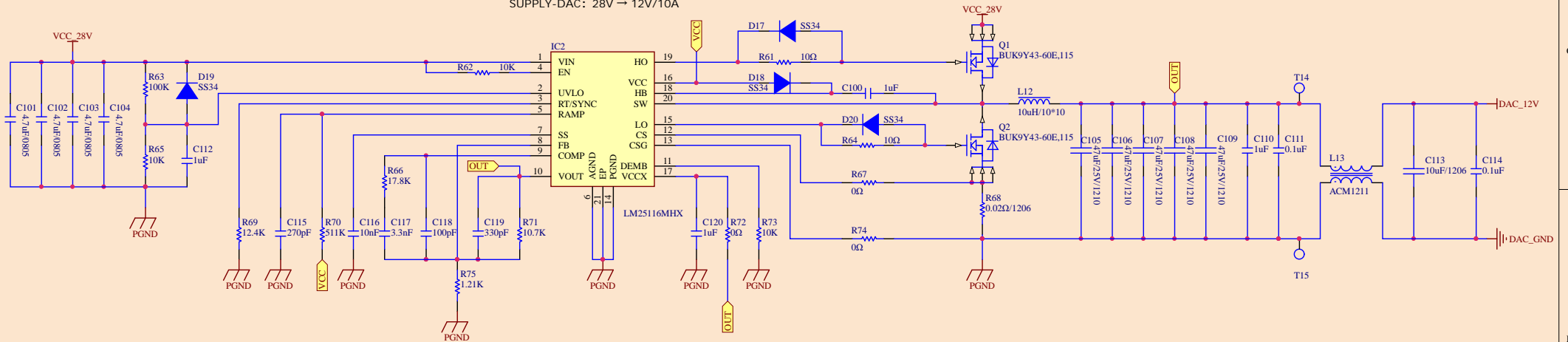
SUPPLY-MCU: 28V → 5V/3A



SUPPLY-MCU: 5V → 3V3/500mA



SUPPLY-DAC: 28V → 12V/10A



Title		
Size	Number	Revision
A3		
Date:	2020/7/13	Sheet of
File:	C:\Users\...POWER.SchDoc	Drawn By:

