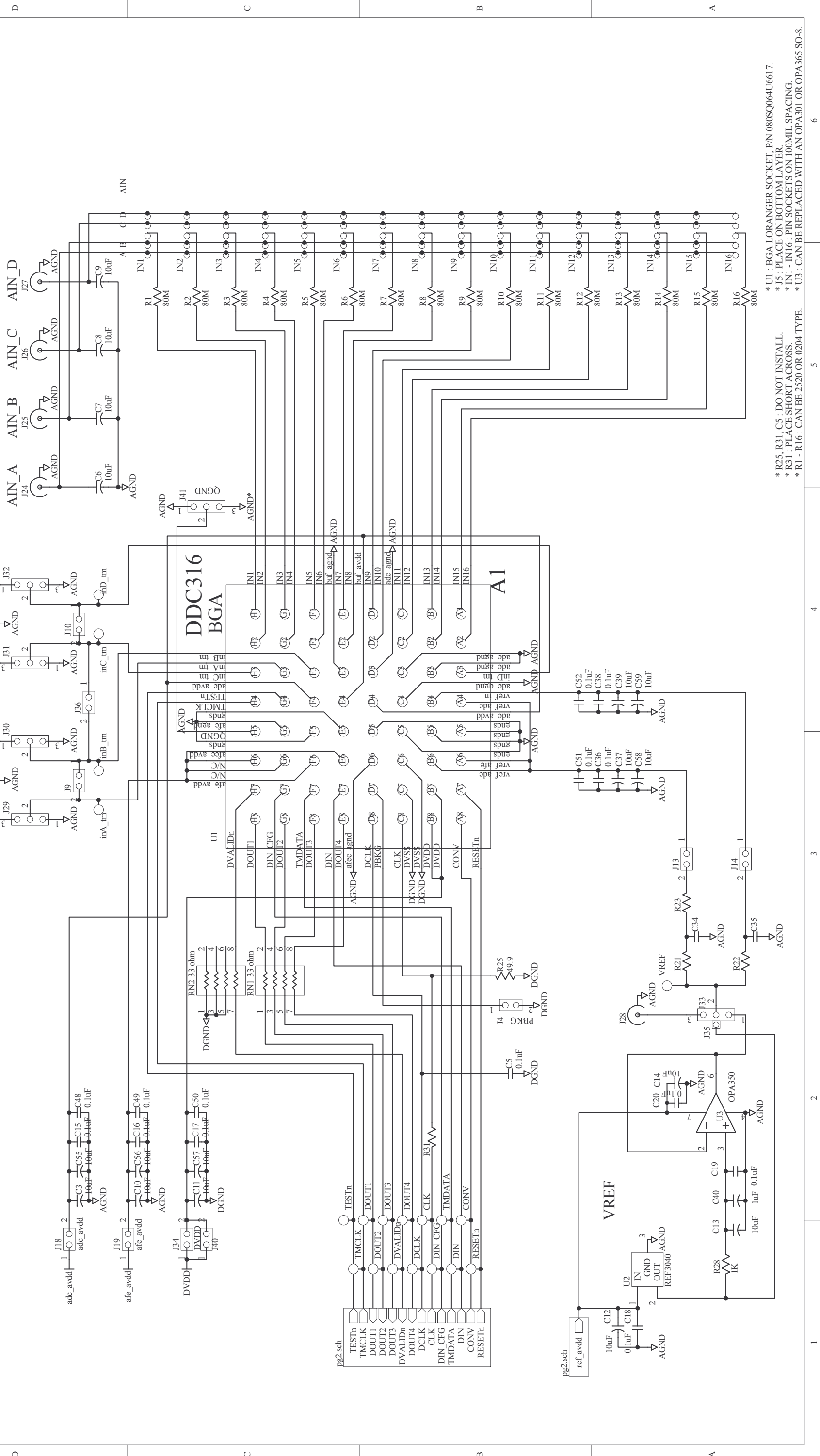


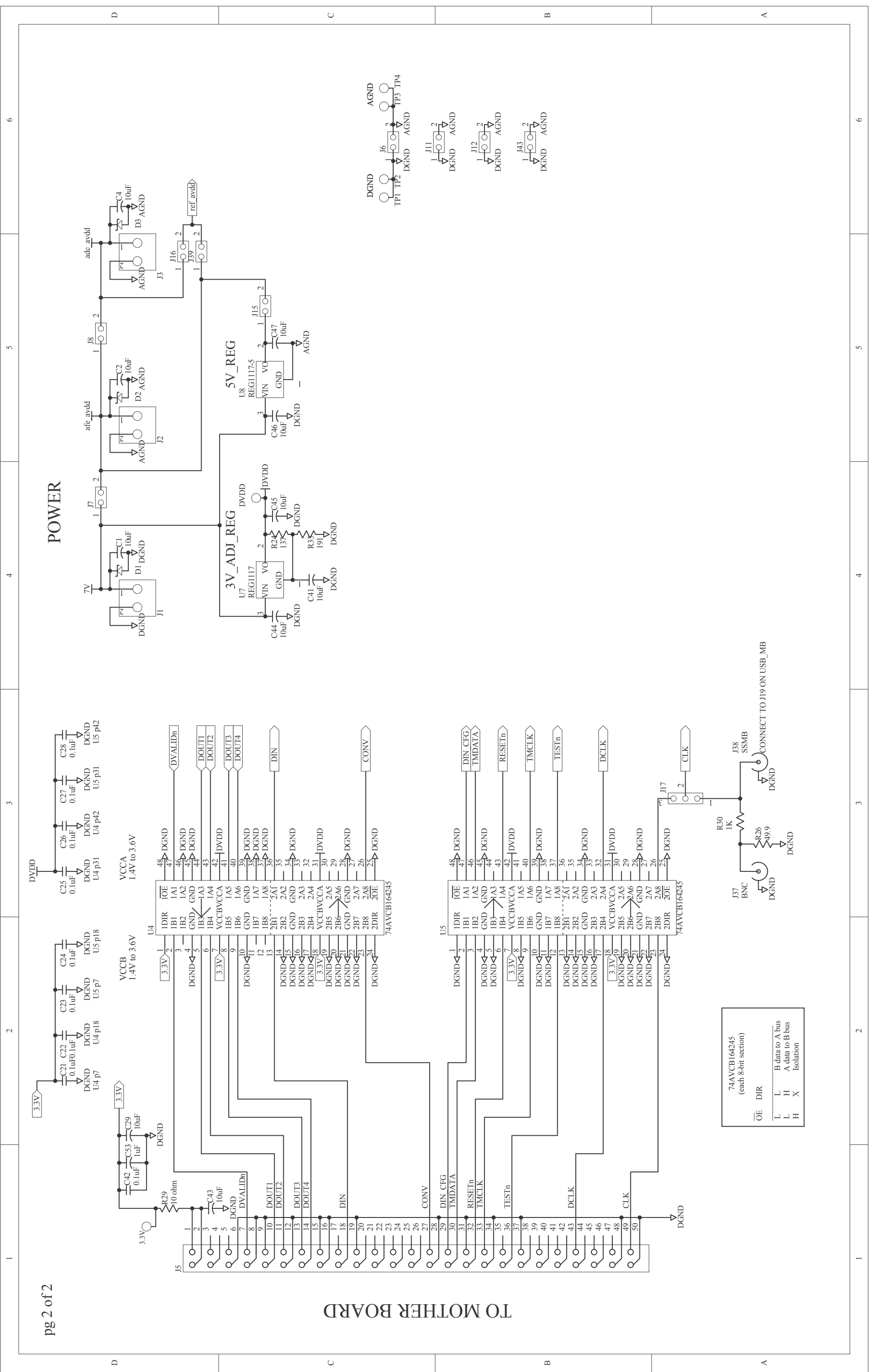
DDC316 BGA daughter board (PR1547)

8-Jun-2006 pg. 1 of 2



* U1 : BGA LORANGER SOCKET, P/N 080SQ064U6617.
 * J5 : PLACE ON BOTTOM LAYER.
 * IN1 - IN16 : PIN SOCKETS ON 100MIL SPACING.
 * R25, R31, C5 : DO NOT INSTALL.
 * R31 : PLACE SHORT ACROSS.
 * R1 - R16 : CAN BE 2520 OR 0204 TYPE.
 * U3 : CAN BE REPLACED WITH AN OPA301 OR OPA365 SO-8.

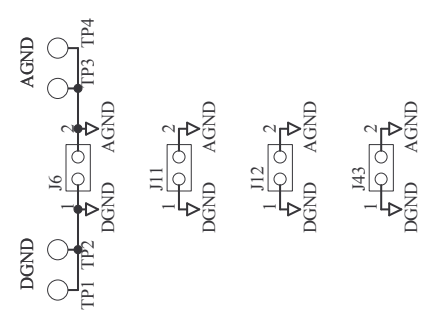
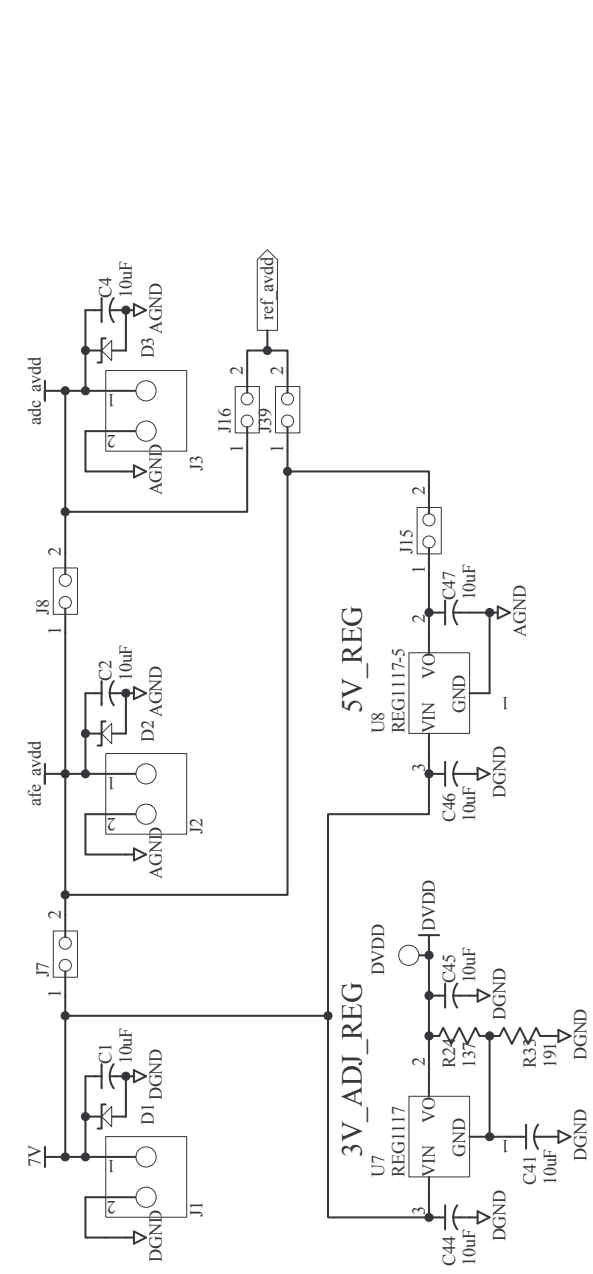
TO MOTHER BOARD



74AVCB164245 (each 8-bit section)	
OE	DIR
L	L
L	H
H	L
H	H

B data to A bus
A data to B bus
Isolation

POWER



CONNECT TO J19 ON USB_MB