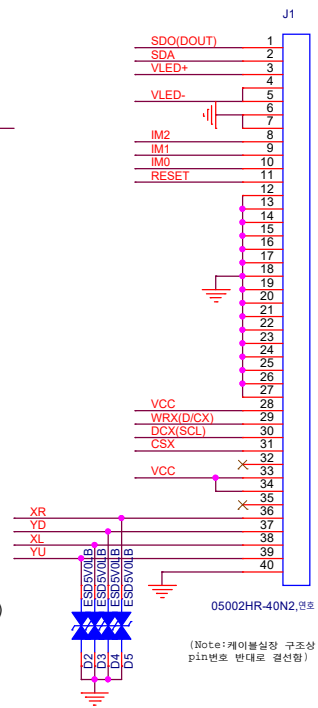
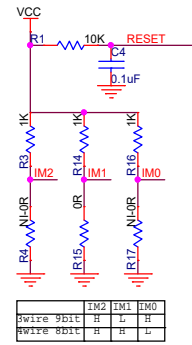
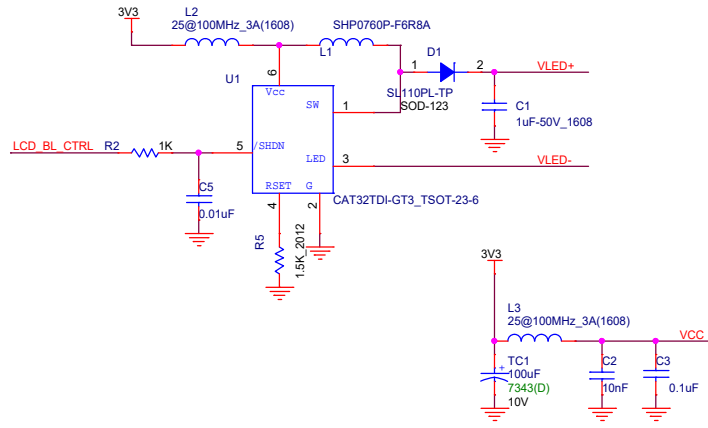
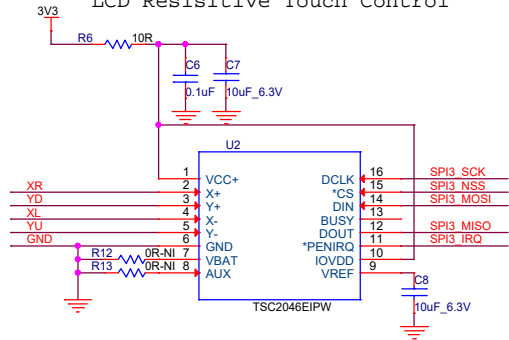


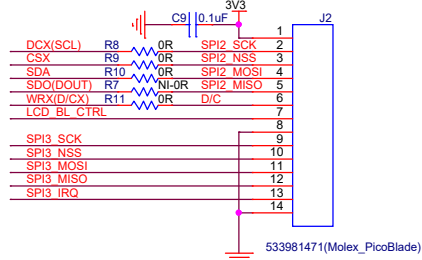
DC Current mode with PWM Control



LCD Resistive Touch Control



SPI Touch LCD Connector (2 SPI)



J1-pin40 - U2-pin6 에 one point GND 처리

INTERCOAX Intercoax Co., Ltd.

Title: **TFT Touch LCD Interface**

Size: A4 Document Number: **Rack Mount LCD Interface Board** Rev: **0.2**

Date: Thursday, April 04, 2024 Sheet: 2 of 2