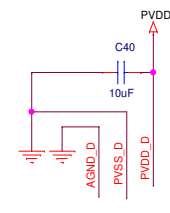
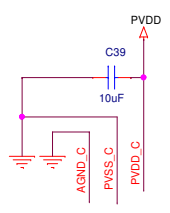
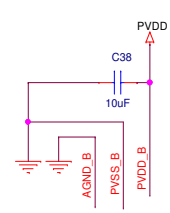
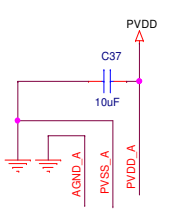
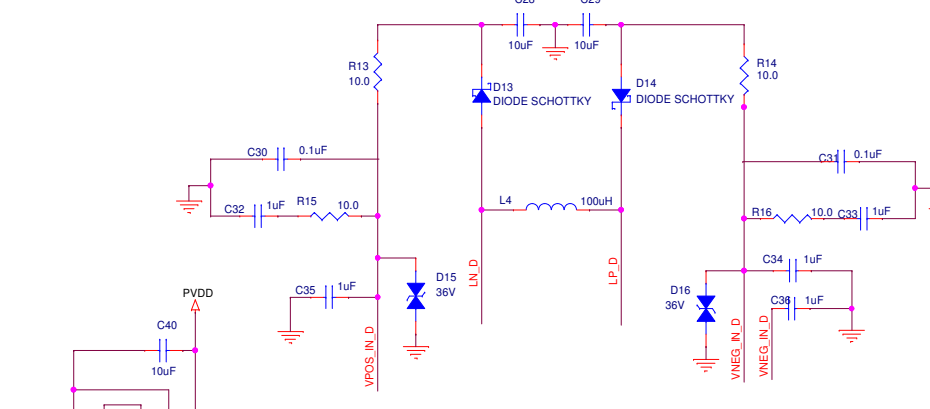
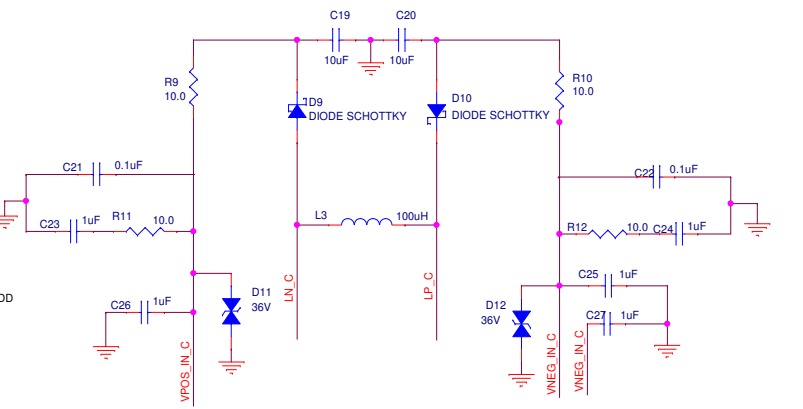
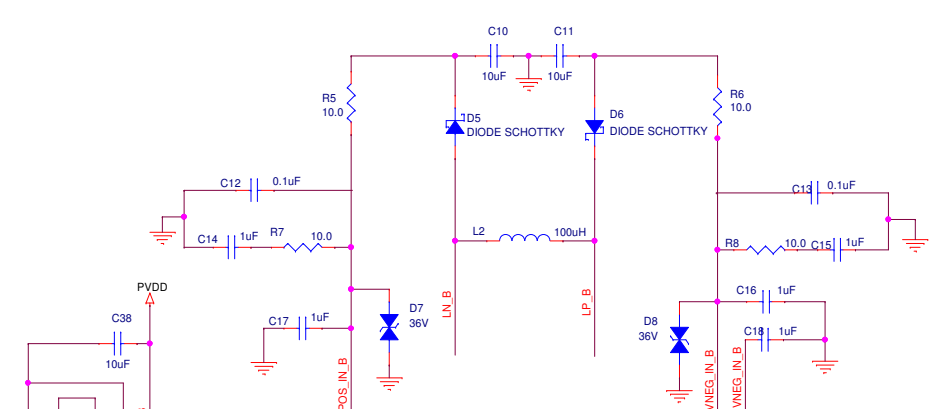
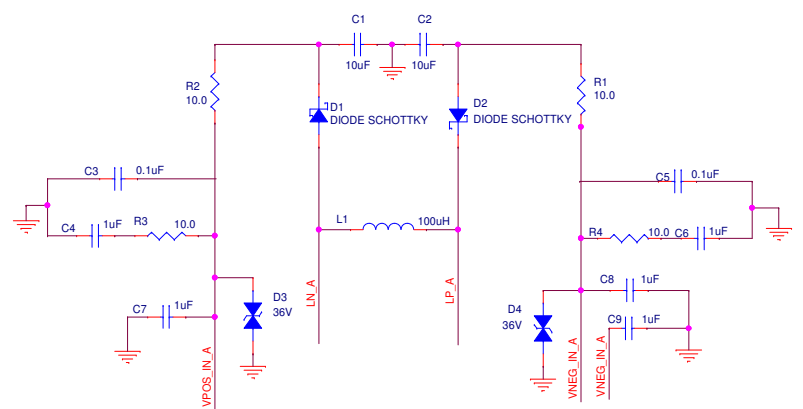
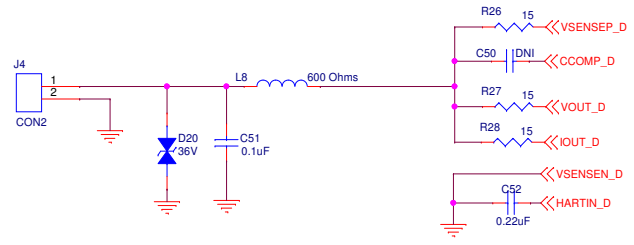
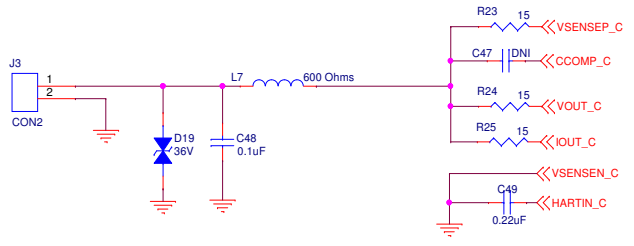
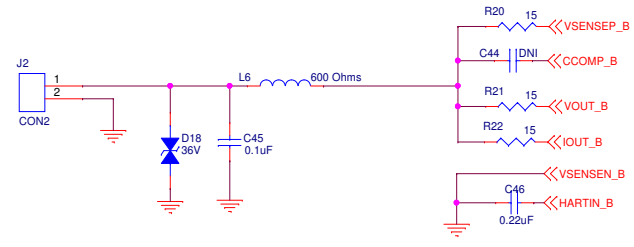
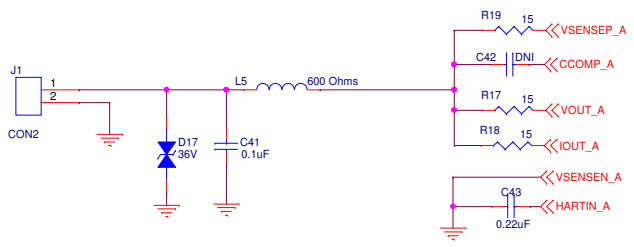


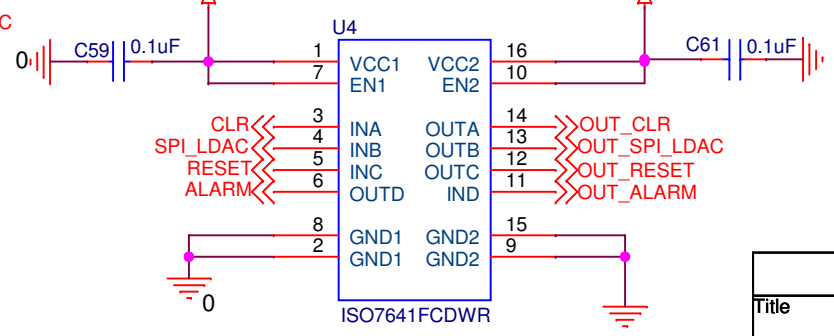
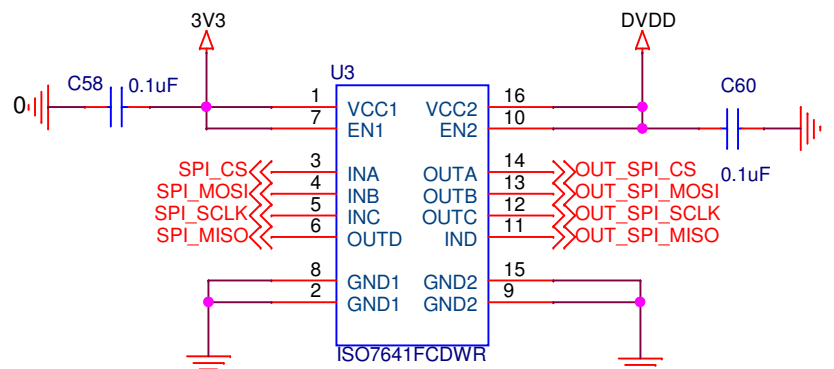
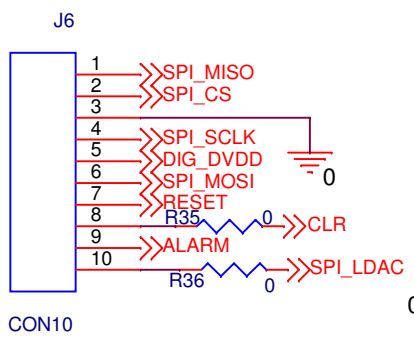
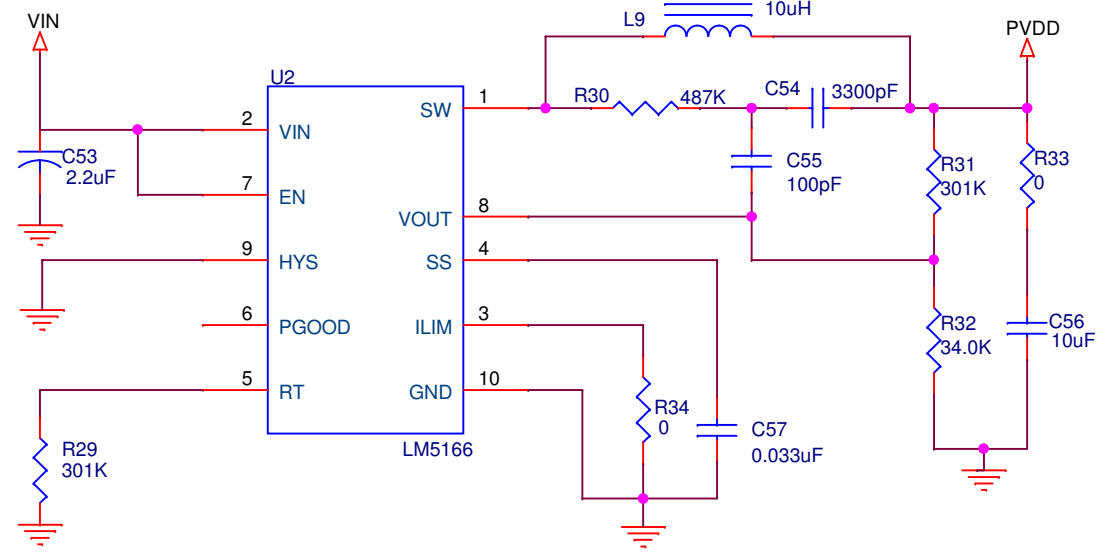
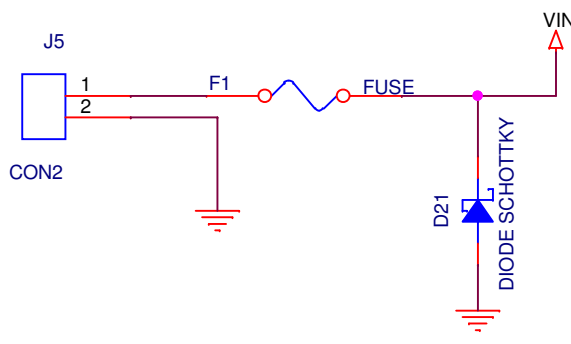
Title		
<Title>		
Size	Document Number	Rev
A4	<Doc>	<RevCo
Date:	Saturday, September 18, 2021	Sheet 1 of 1



Title	<Title>	
Size	Document Number	Rev
A3	<Doc>	<Rev Code>
Date:	Wednesday, September 15, 2021	Sheet 1 of 1



Title	<Title>	
Size	Document Number	Rev
A3	<Doc>	<Rev Code>
Date:	Wednesday, September 15, 2021	Sheet 1 of 1



Title		
<Title>		
Size	Document Number	Rev
A	<Doc>	<Rev Co
Date:	Saturday, September 18, 2021	Sheet 1 of 1