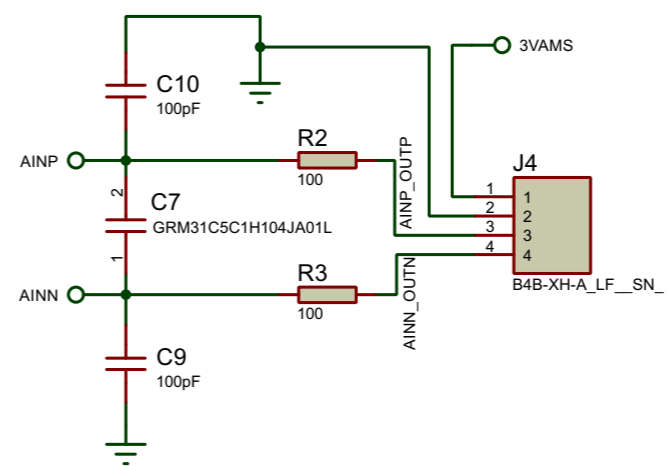
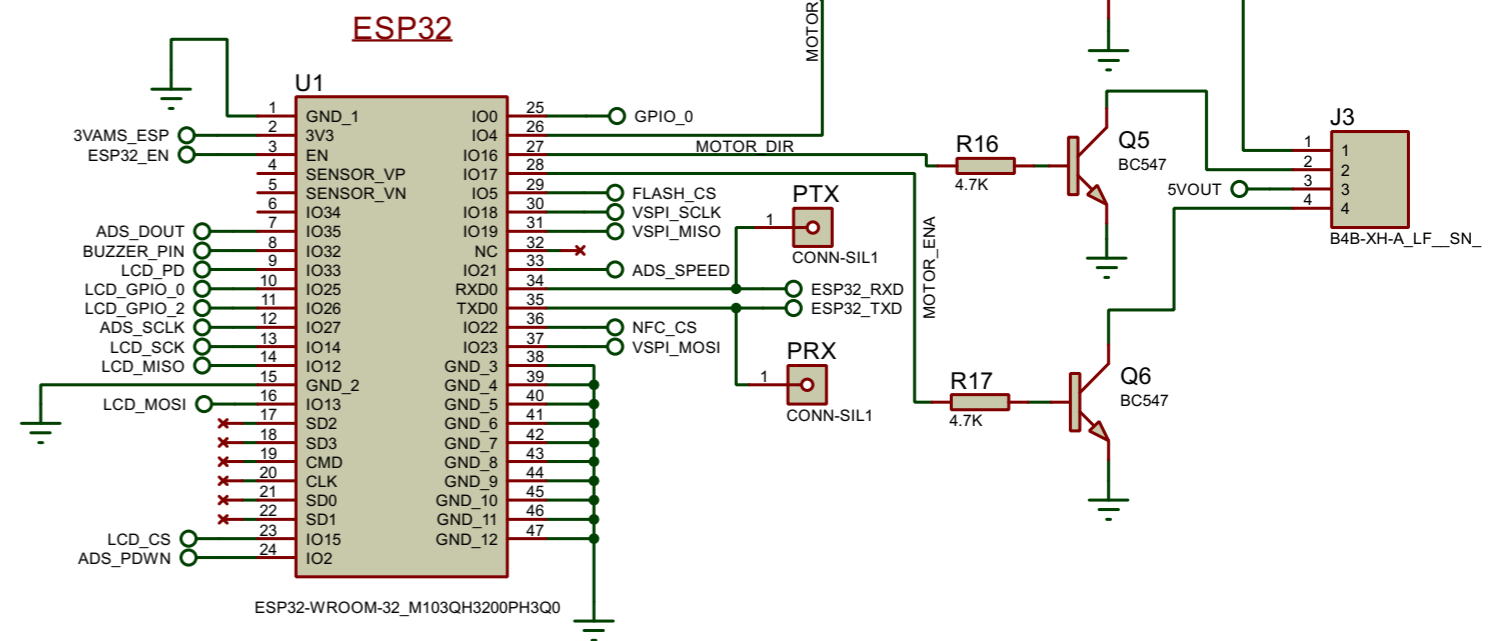
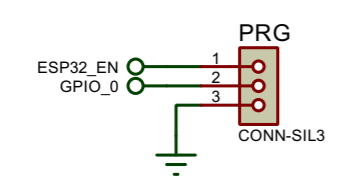
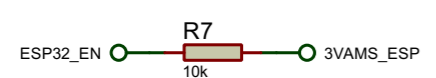
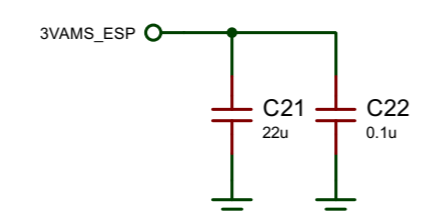
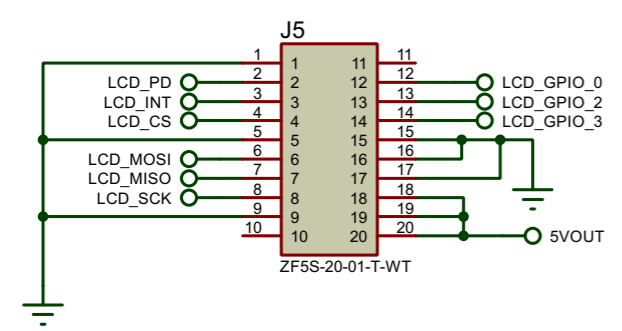
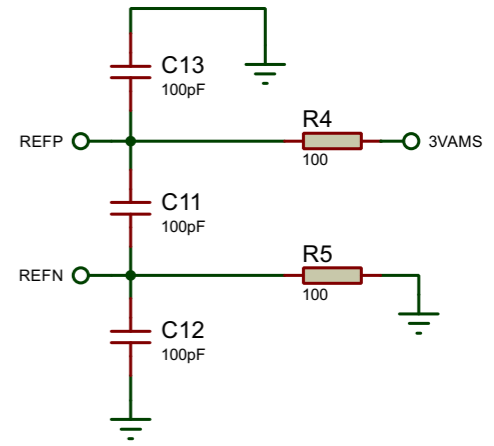


Analog Input +/- RC Filter

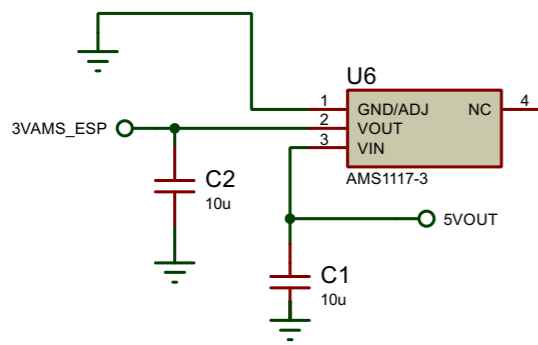


REF +/- RC Filter

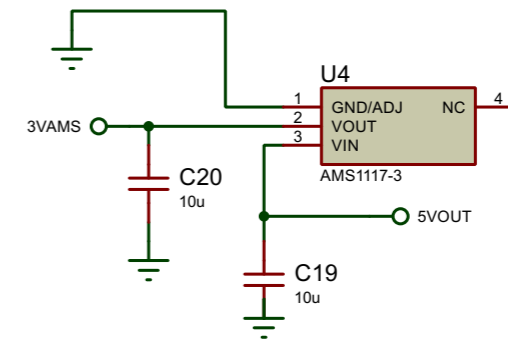


FILE NAME: Autogram_PCB_V3.pdsprj	DATE: 3/20/2023
DESIGN TITLE: AutoGram PCB V3	PAGE: 1 of 3
BY: INBYTE	REV: 3
BOARD: @BOARD	TIME: 12:30:41 PM

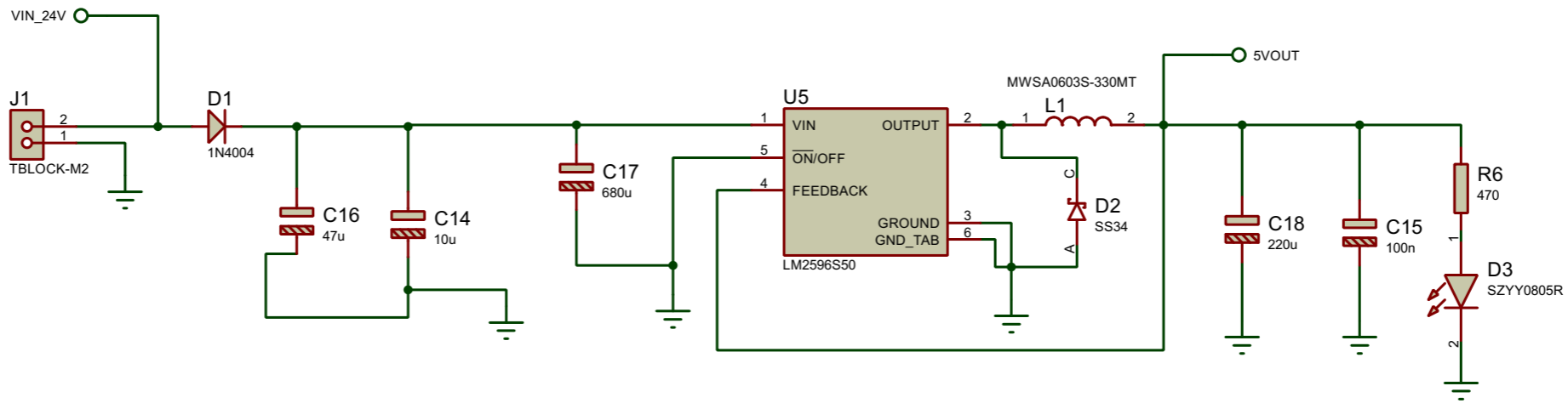
5VDC TO 3.3VDC



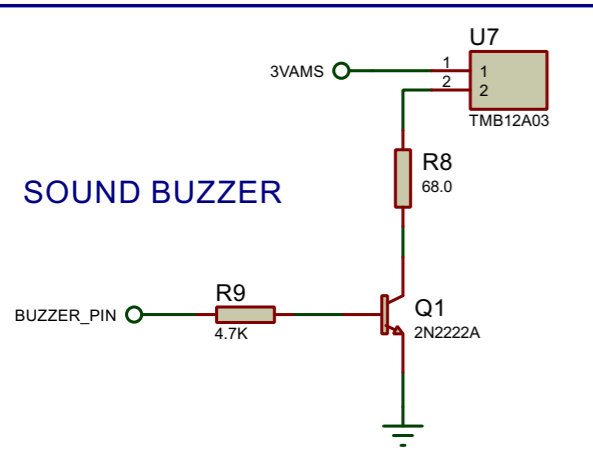
5VDC TO 3.3VDC



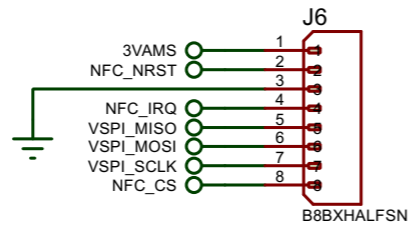
24VDC TO 5VDC



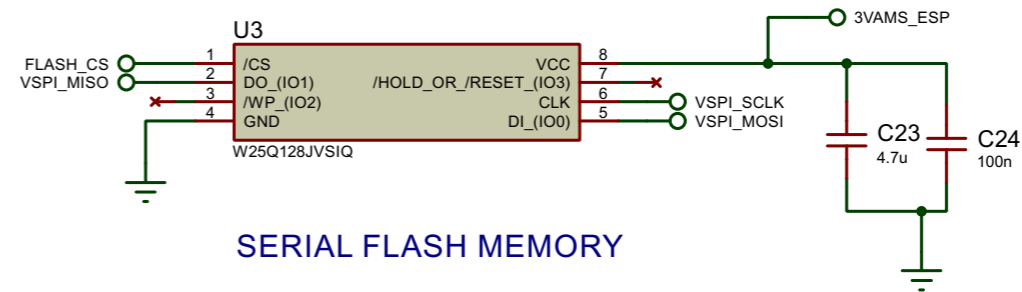
SOUND BUZZER



NFC CONNECTOR



SERIAL FLASH MEMORY



FILE NAME: Autogram_PCB_V3.pdsprj	DATE: 3/20/2023
DESIGN TITLE: AutoGram PCB V3	PAGE: 2 of 3
BY: INBYTE	REV: 3
BOARD: @BOARD	TIME: 12:30:41 PM

USB PROGRAMMER CIRCUIT

