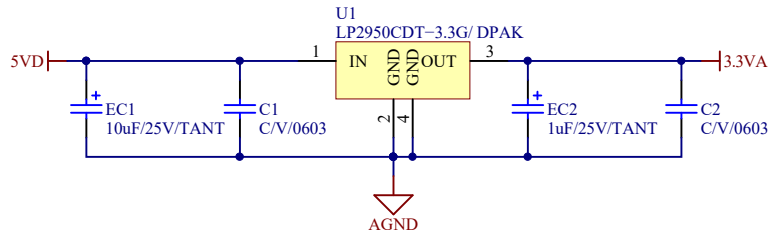
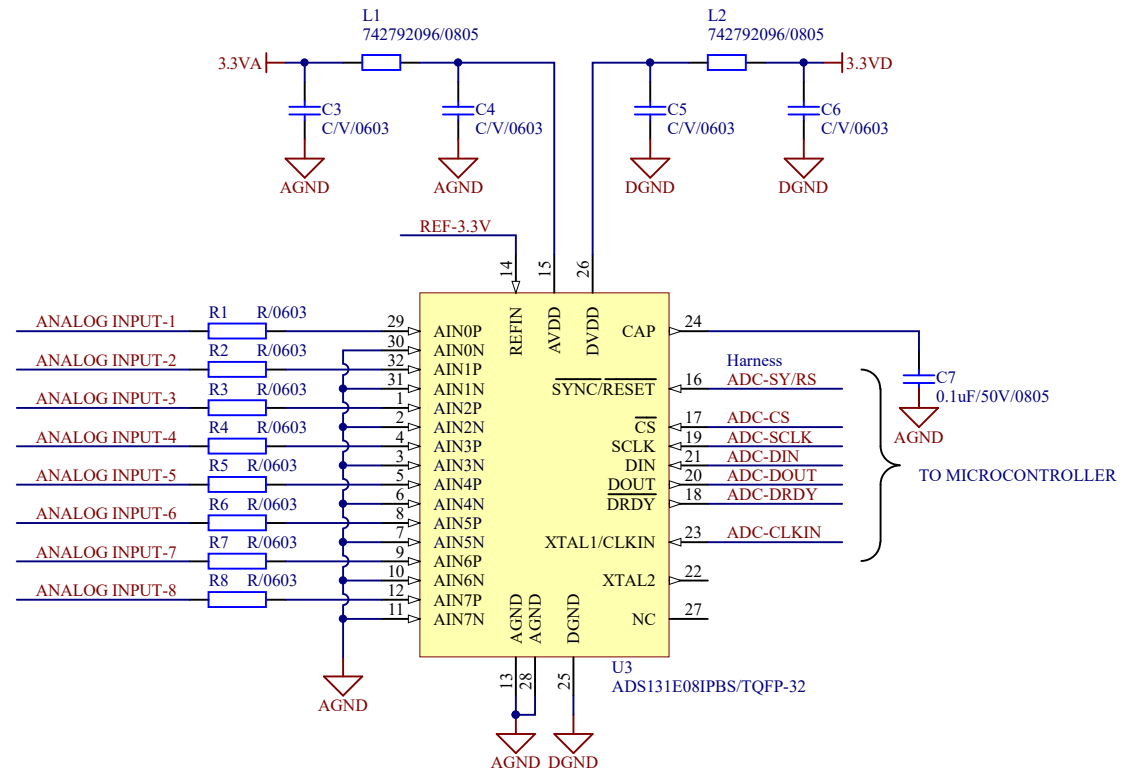
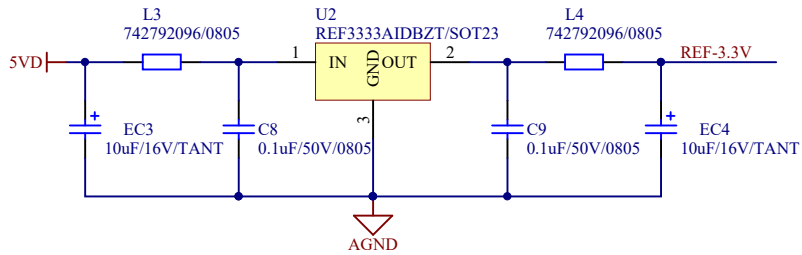


ANALOG SUPPLY SECTION



ANALOG REFERENCE SECTION



Title		
Size	Number	Revision
A4		
Date:	14-08-2020	Sheet of
File:	E:\Work from home\...\Sheet1.SchDoc	Drawn By: