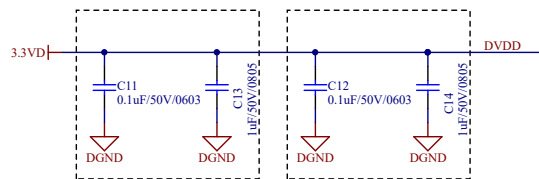
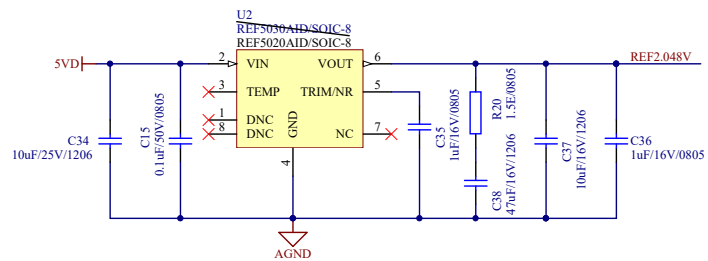


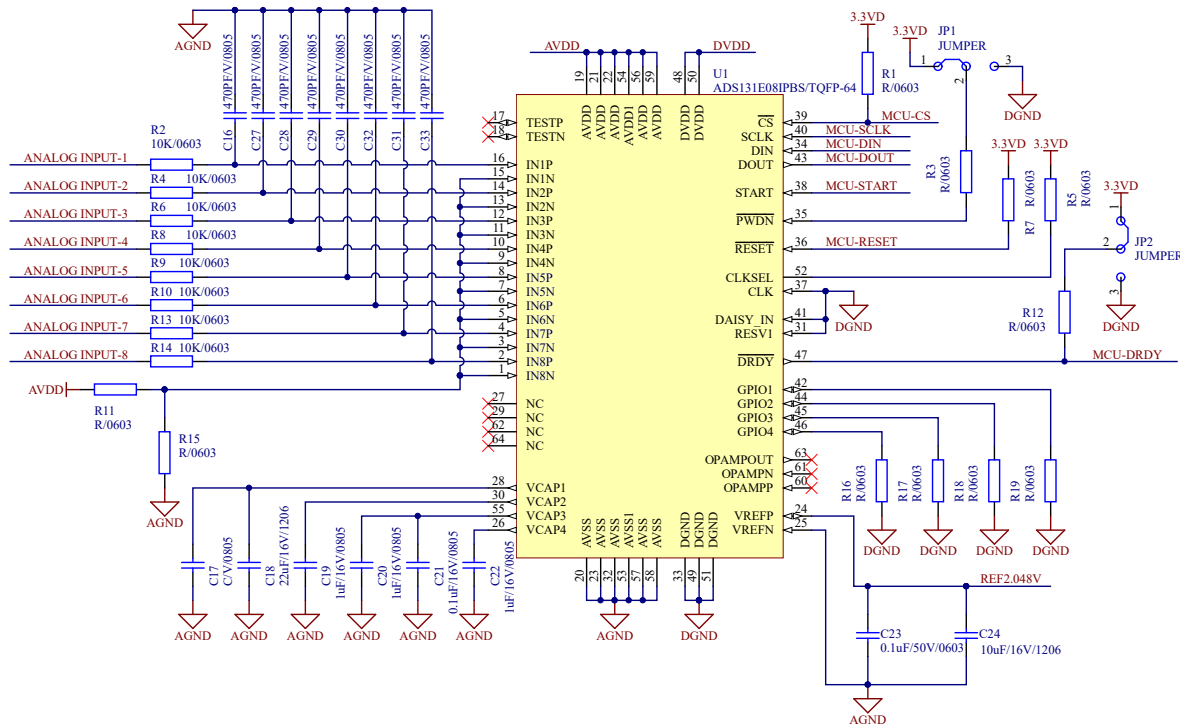
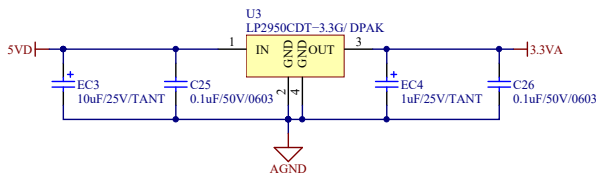
FROM DIGITAL SUPPLY SECTION



ANALOG REFERENCE SECTION



ANALOG SUPPLY SECTION



Title		
Size	Number	Revision
A3		
Date:	21-08-2020	Sheet of
File:	E:\Work from home\Sheet3.SchDoc	Drawn By: